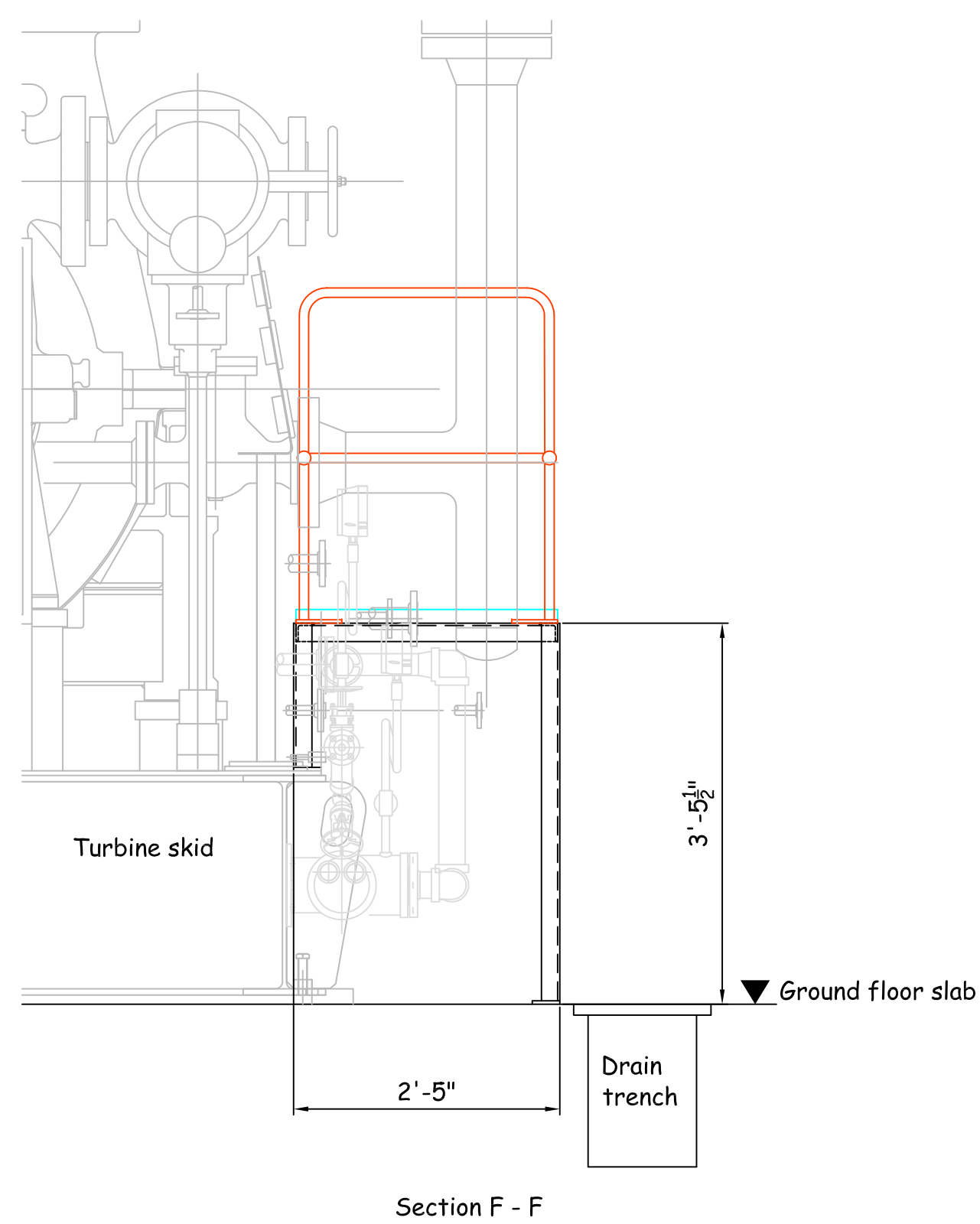
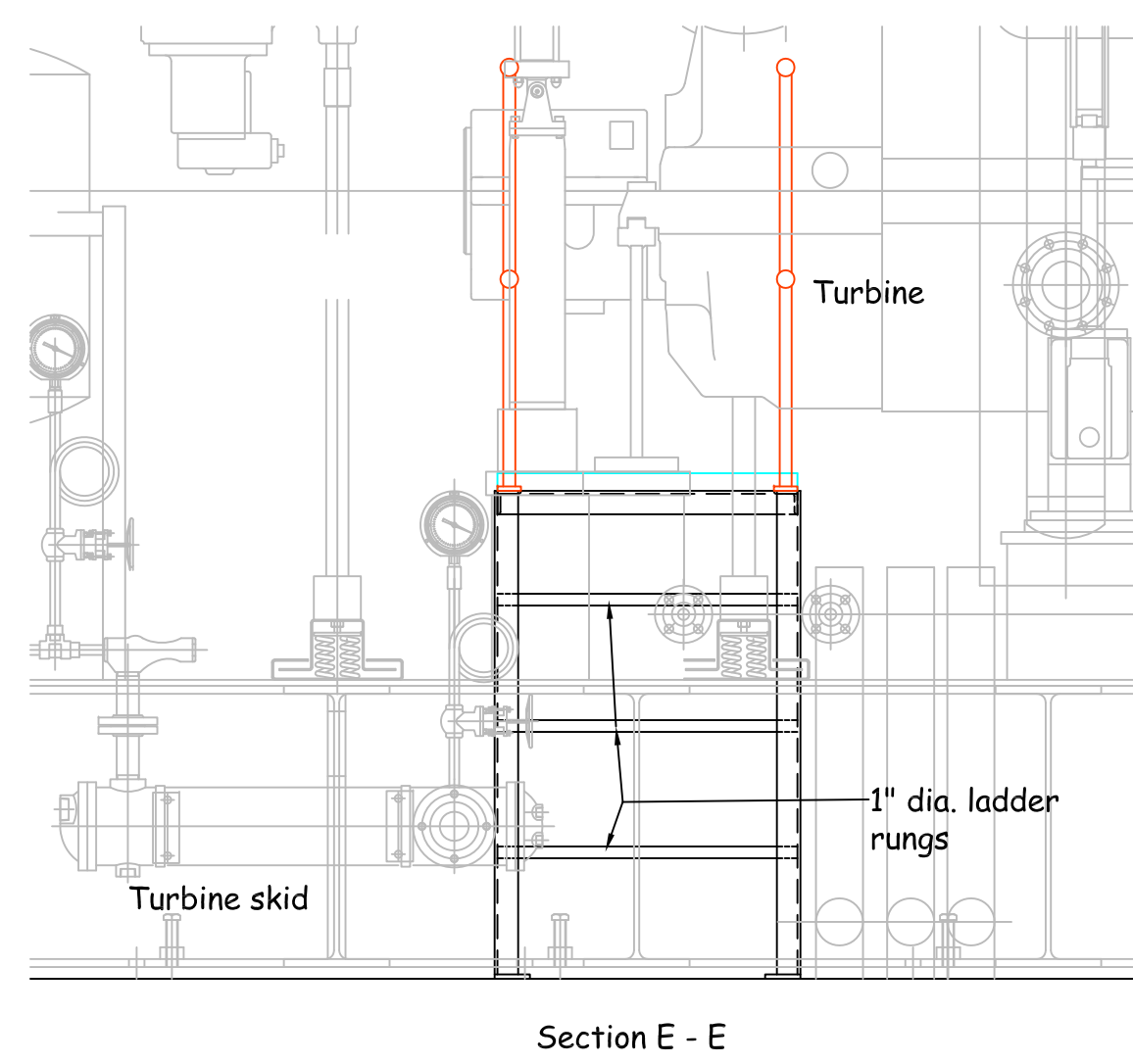
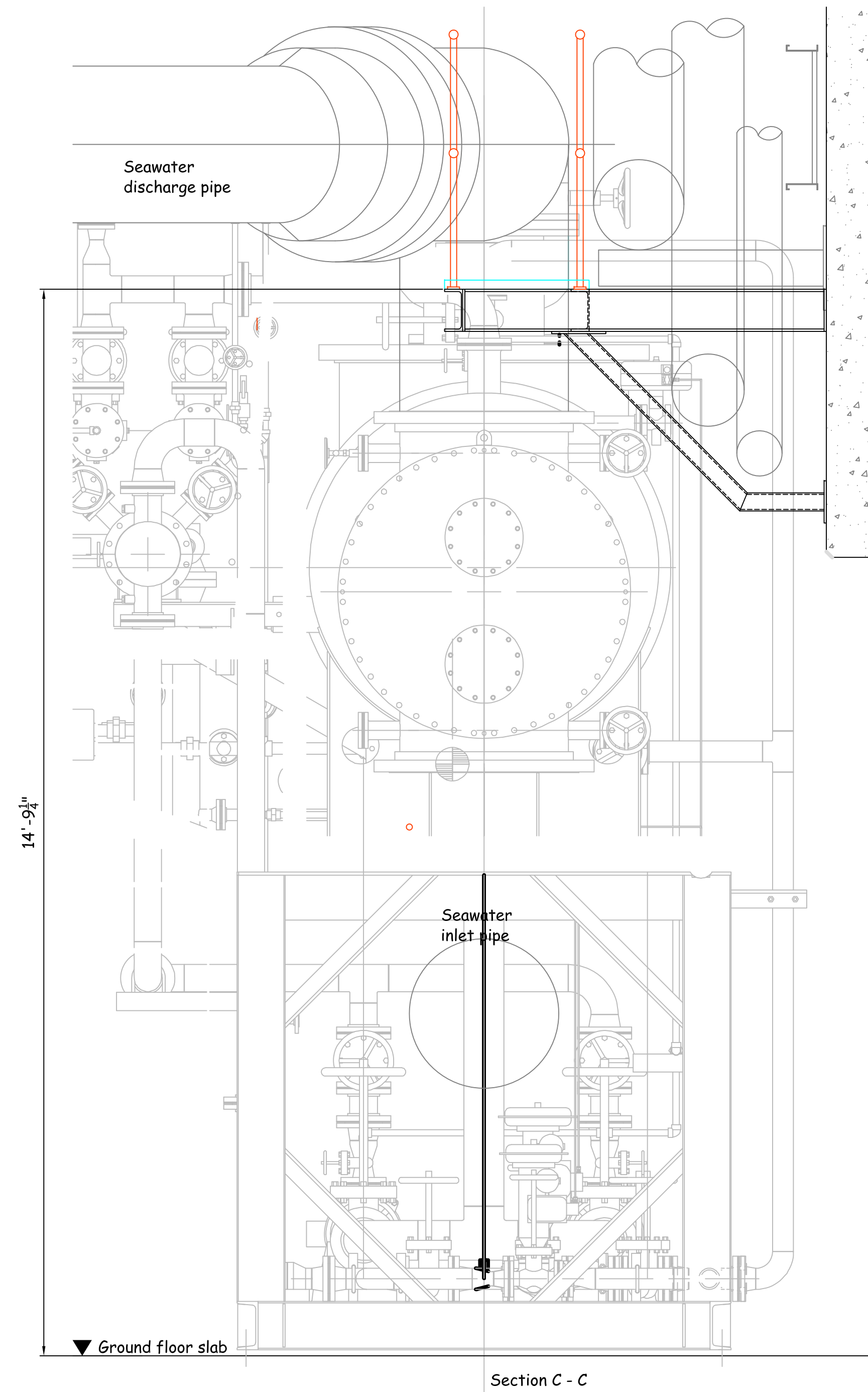
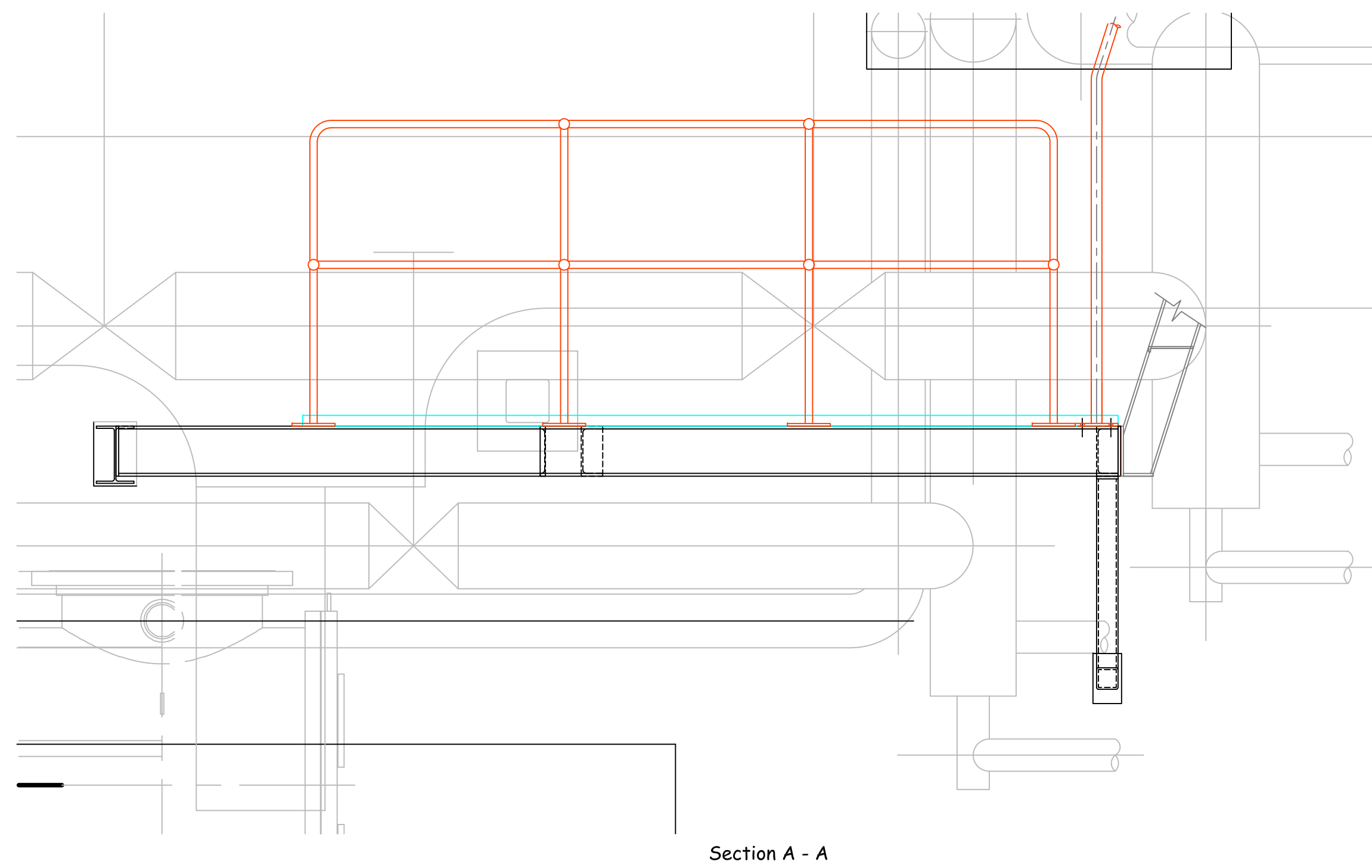
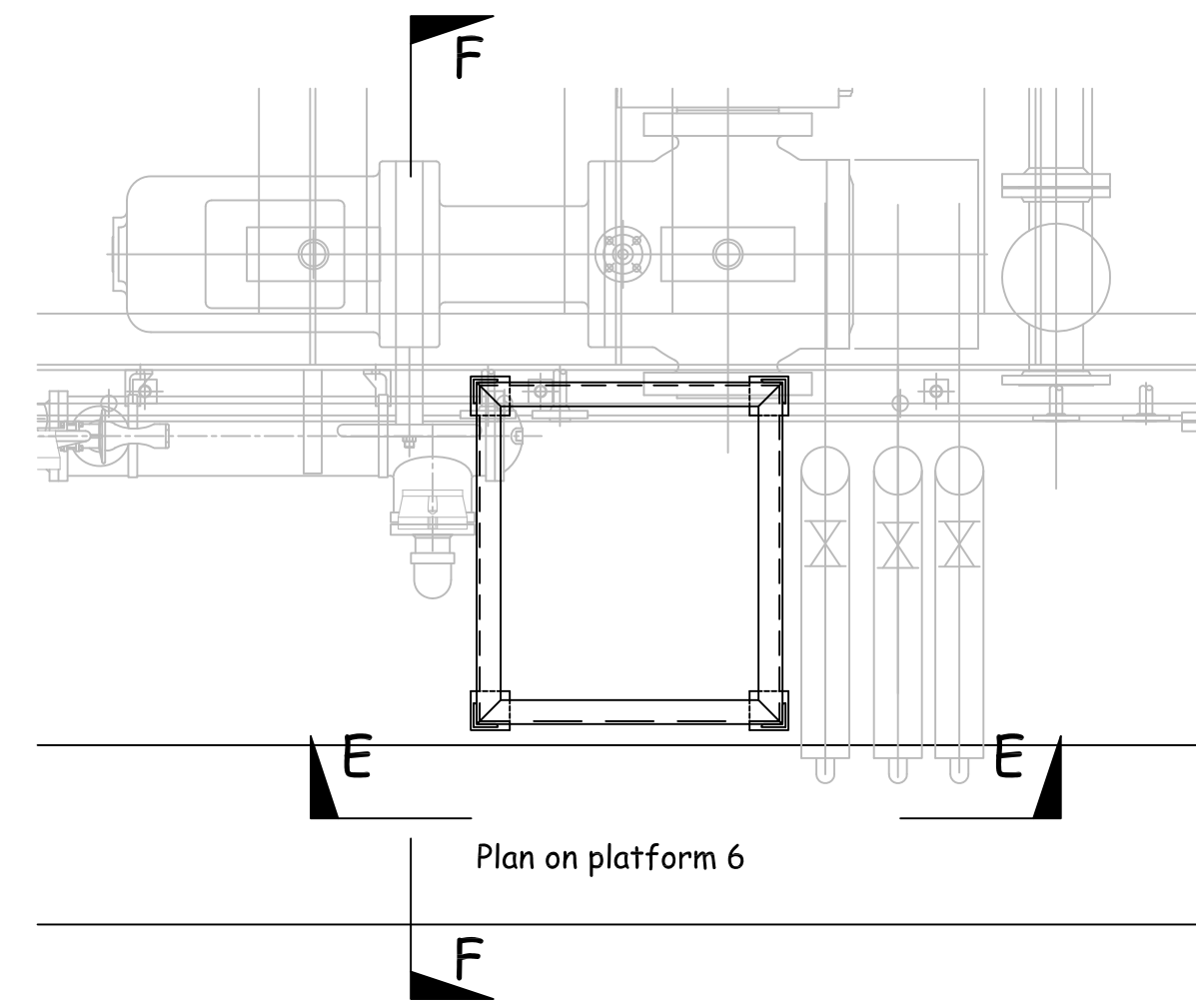
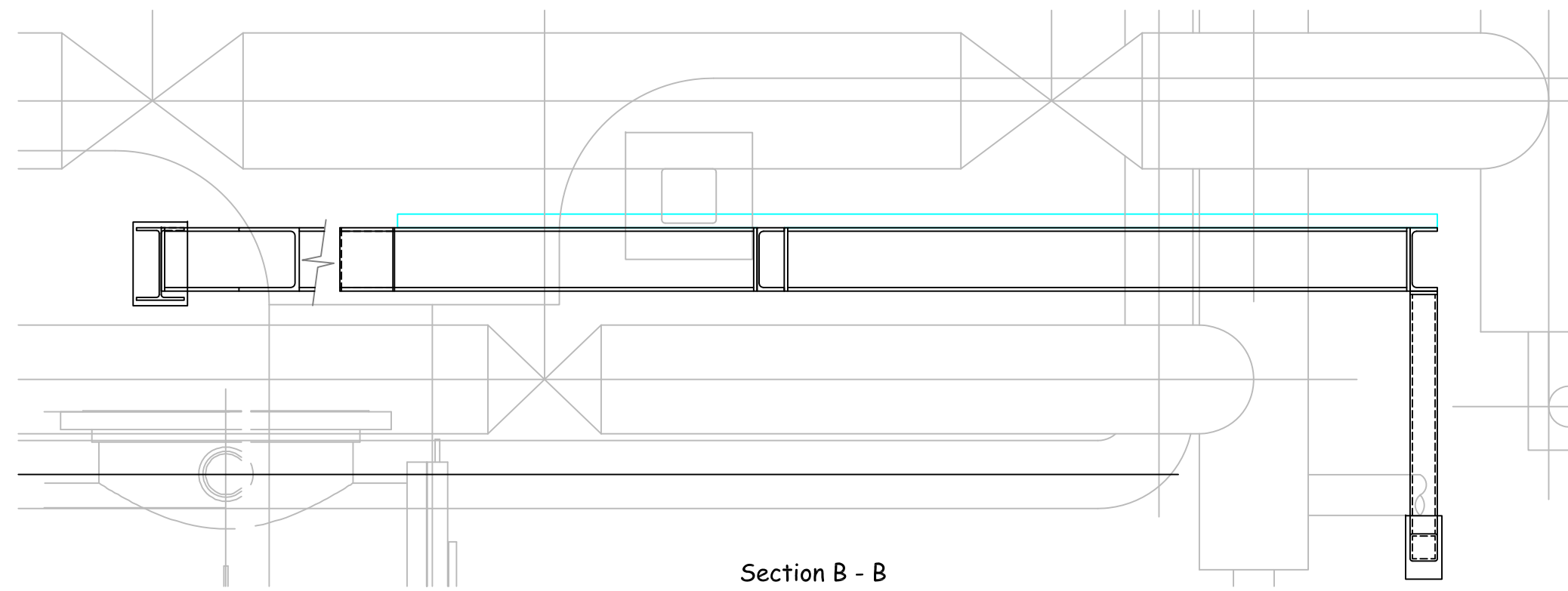
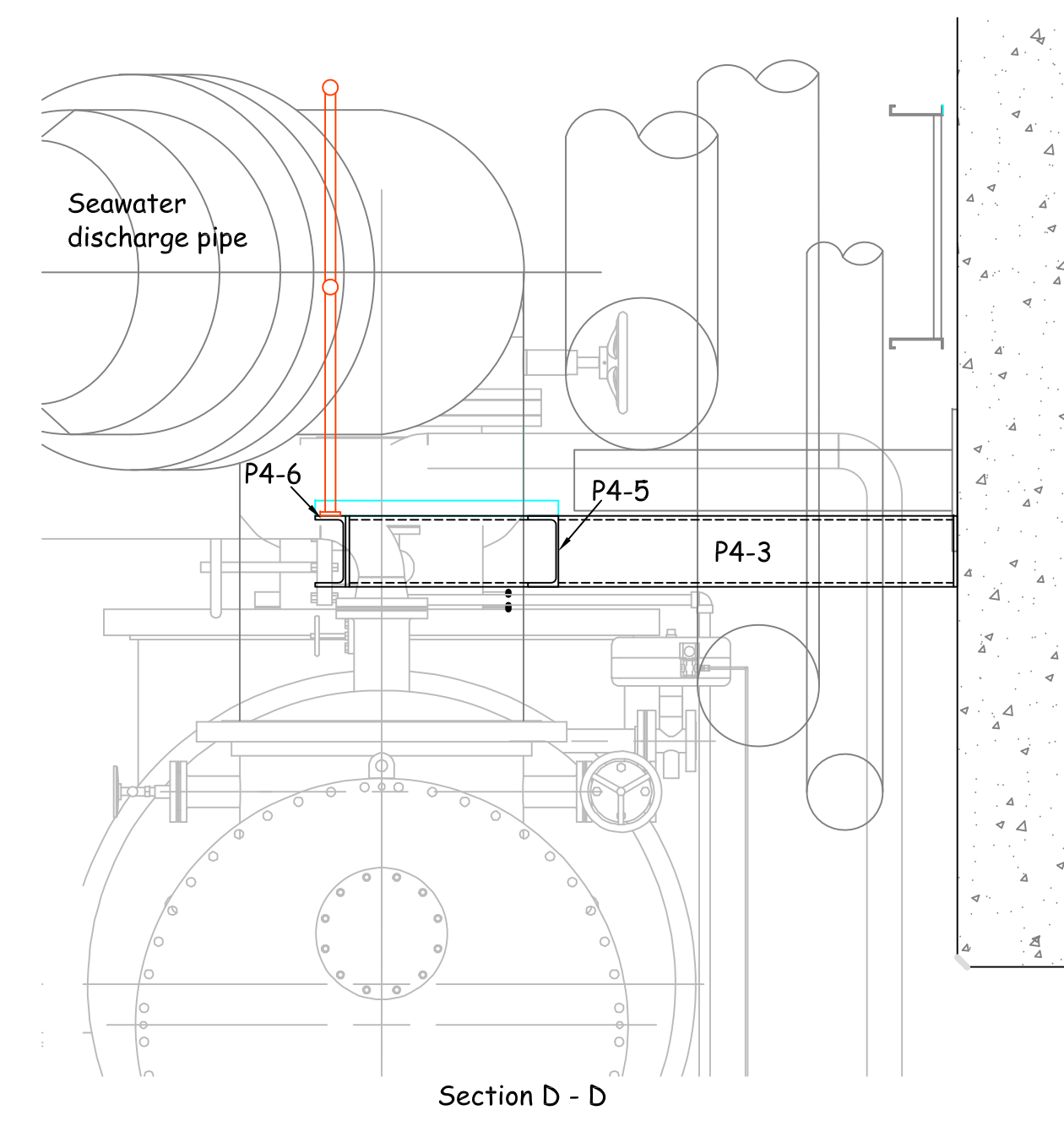
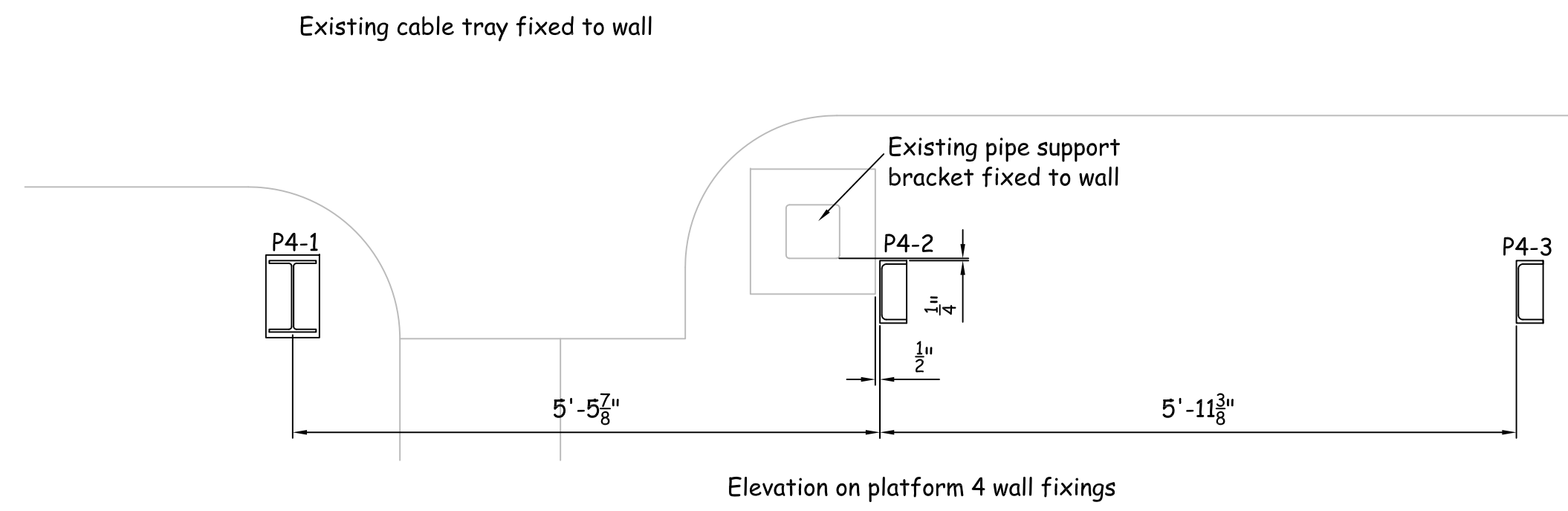
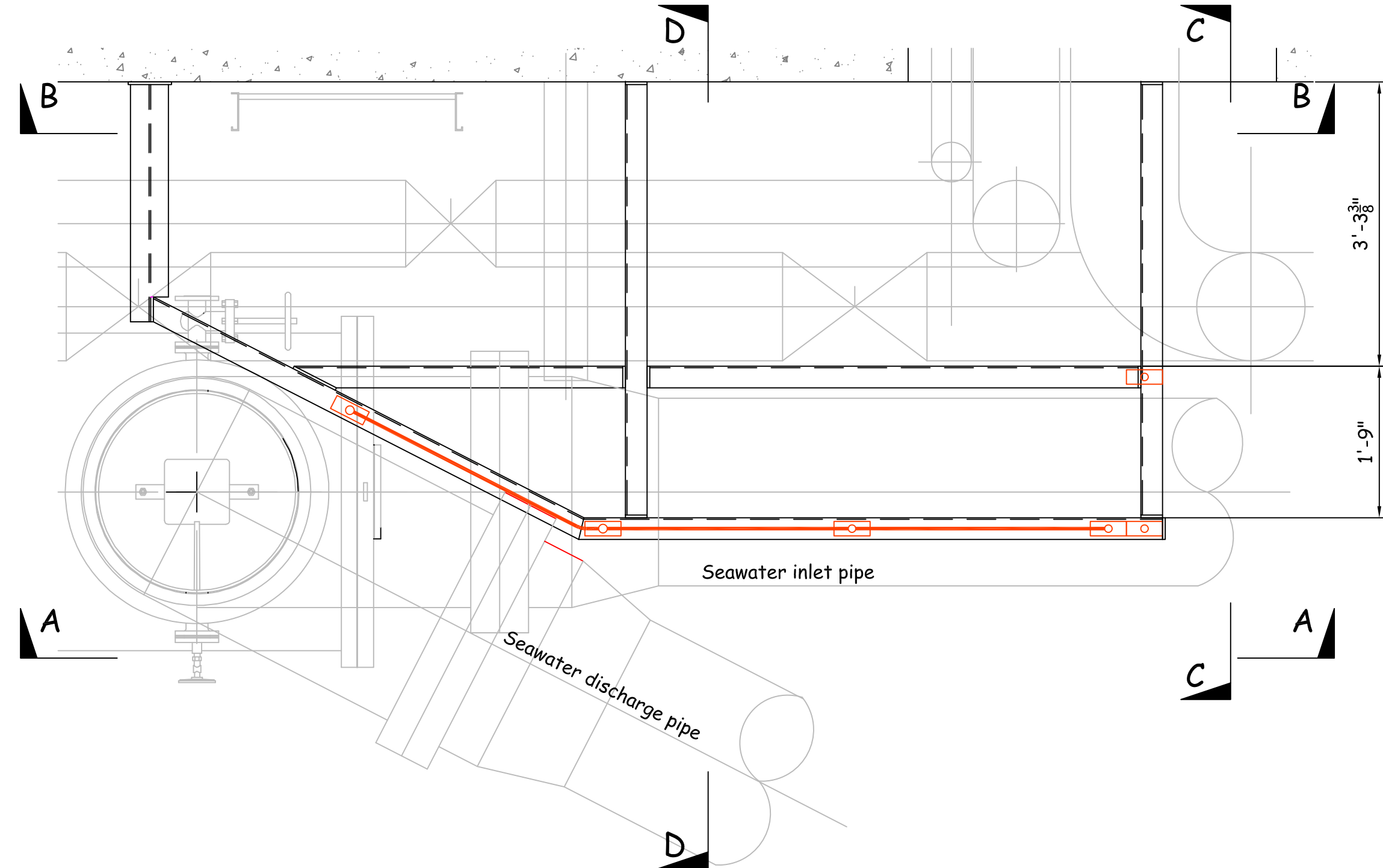


Notes.

1. Refer to detail drawings 8 and 11 for dimensions



PROJECT NUMBER:
31-355

PROJECT NAME:
**TYNES BAY WTE FACILITY
EXPANSION**
New Turbine Building
TYNES BAY
31 PALMETTO ROAD
DEVONSHIRE

SHEET TITLE:
**ACCESS PLATFORMS
Platforms 4 and 6 GA**

SHEET NUMBER:

STGP - 4

Rev - 0