



METPAR STAINLESS STEEL TOILET ENCLOSURES

The Luxor – Type FT700 - Floor Mounted

MATERIALS: Stainless Steel #301/304 series in #4 finish

THICKNESS: Doors..... 22 Gauge, Finished to 1" (25.4mm) at 58" (1473) high
Panels..... 22 Gauge, Finished to 1" (25.4mm) at 58" (1473) high
Pilasters..... 20 Gauge, Finished to 1¼" (31.75mm) at 70" (1778) high

CONSTRUCTION:

Doors:

Finished to 1" (25.4) thick, constructed of two sheets of 22-gauge stainless steel formed and cemented under pressure to a honeycomb core. Door face sheets are welded at intervals around the entire perimeter. All edges to be finished with a 20-gauge stainless steel interlocking molding. Corners are finished with pre-formed stainless steel reinforcements. Doors shall have internal steel reinforcements to secure hardware items.

Panels:

Finished to 1" (25.4) thick, constructed of 2 sheets of 22-gauge stainless steel, formed and cemented under pressure to a honeycomb core. All partition edges are finished with a 20-gauge stainless steel interlocking molding. Corners will be finished with pre-formed stainless steel reinforcements.

Pilasters:

Finished to 1¼" (31.75) thick, constructed of two sheets of 20-gauge stainless steel, formed and assembled with a honeycomb core. Face sheets are electrically welded at intervals around the entire perimeter. All pilasters will have a 4" (101.6) high #4 finish stainless steel plinth and have straight, flat sides profile with rounded edges to match the pilaster profile. Mounting channels are 12-gauge steel electrically welded to the pilaster face sheets. Zinc plated 3/8" (9.525) diameter studs, lock washers, nuts and lead expansion shields are provided.

BRACKETS:

Attachment brackets are die cast chrome plated stirrup brackets. Minimum of two (2) fittings at each connection.

DOOR HARDWARE:

Each compartment will be complete with two door hinges, latch, stop and keeper, coat hook, as well as all necessary fittings and fastenings for a complete installation. Hinges are fastened by means of tamper-proof Torx Pin Head through bolts, which are polished chrome plated. All other screws to be tamper-proof Torx Pin Head chrome plated. Doors are to be hung on a concealed, "stay-set", fully adjustable, non-rising door mechanism. Upper hinge pin shall be 3/8" (9.525) diameter steel. All hinges will have wrap-around flanges with a minimum of 5/8" (15.875) wrap onto pilaster. All doors will have a concealed ADA approved slide latch with external "in-use" indicator.

FINISH:

All stainless steel partitions are supplied with high strength 300 series alloys in a #4 finish. Optional 2B leathergrain and 5SM diamond pattern textured finishes are also available.

OPTIONS:

A continuous anodized Privacy Strip aluminum extrusion, provided for both strike & hinge sides to eliminate gaps between the door & pilaster. Full height bright dip anodized aluminum brackets or stainless steel angles & U-Channels. Stainless steel MutliCam® hinges. Cast S/S wraparound hinges with matching surface latch, S&K.

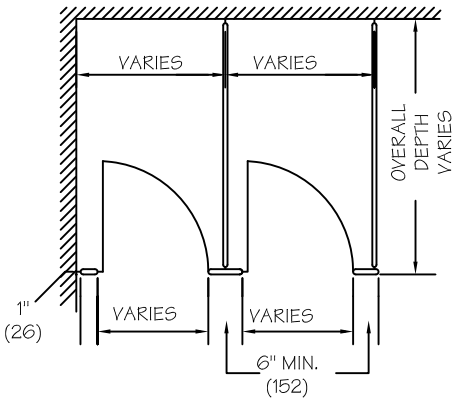


95 State Street, Westbury, New York USA 11590
Tel: 516-333-2600 ~ Fax: 516-333-2618
www.Metpar.com ~ Sales@Metpar.com

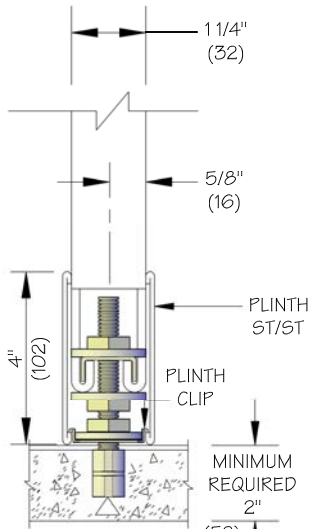
Get a 3-part detailed
industry format spec
sheet for 10-21-00
Toilet Partitions?



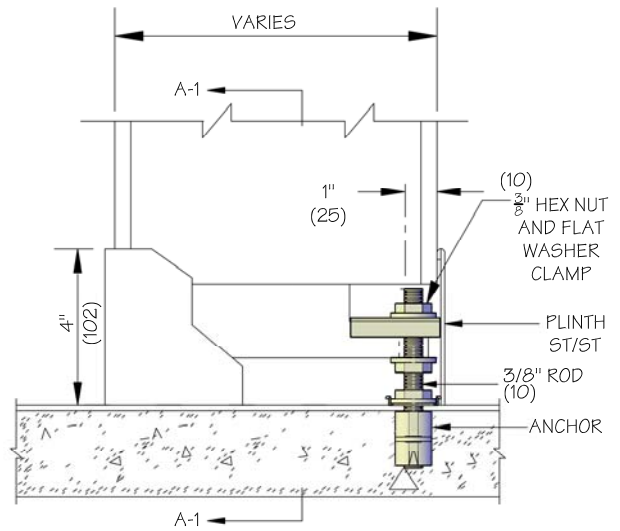
DIMENSIONS IN ()= MILLIMETERS



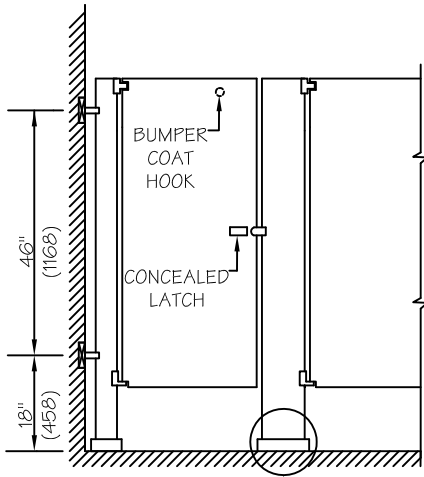
FLOOR PLAN



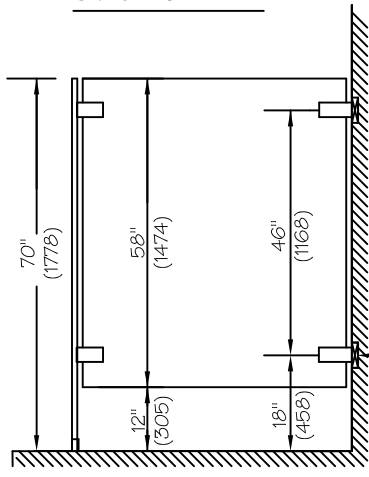
SECTION-A-1



DETAIL A



FRONT ELEVATION



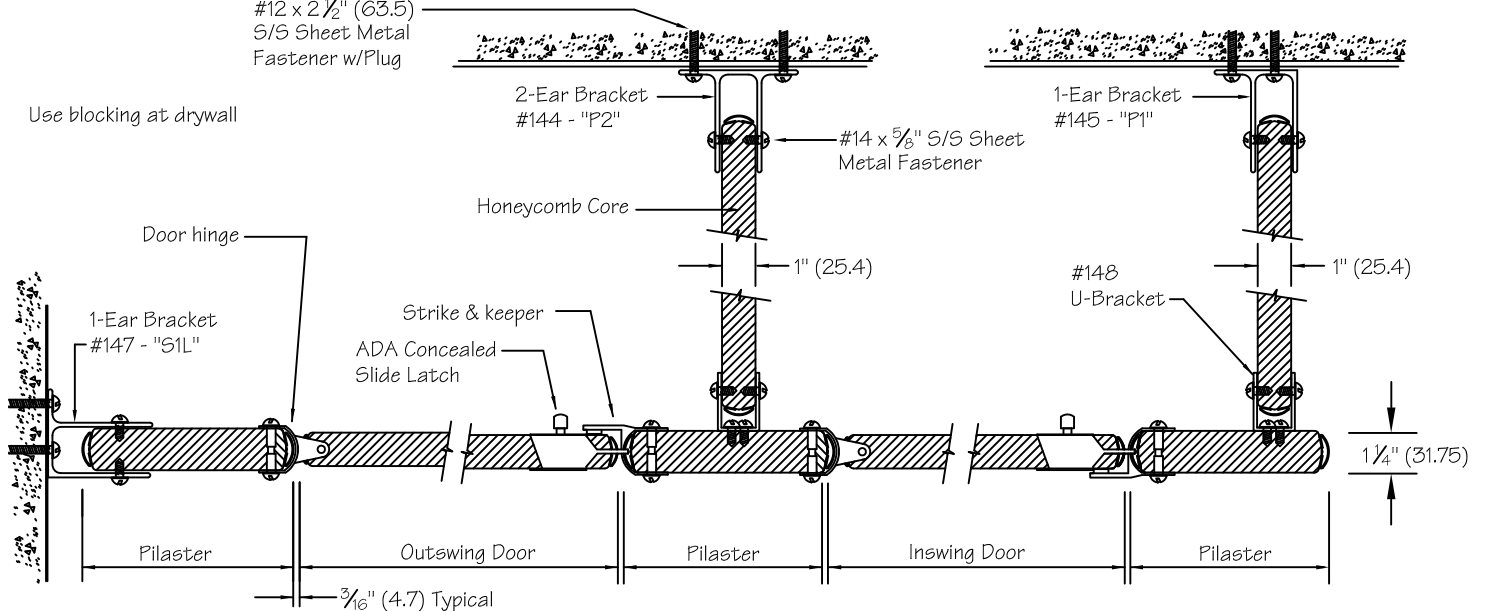
SIDE ELEVATION

NOTES: This drawing is a standard detail intended to show general construction and specification information. See shop drawings for actual job layout and specific job conditions which supercede any conflicting information on this sheet.

Blocking (by others) shown for standard CPZ stirrup brackets. For full height or any other bracket, consult with Metpar distributors for blocking information and locations.

#12 x 2 1/2" (63.5)
S/S Sheet Metal
Fastener w/Plug

Use blocking at drywall



METPAR CORP

95 State Street, Westbury, NY 11590

Tel: 516-333-2600 Fax: 516-333-2618

www.Metpar.com ~ Sales@Metpar.com

STAINLESS STEEL

Standard Detail Floor Mounted
FT700 - The Luxor

FT700SS.DWG

09-07-2017