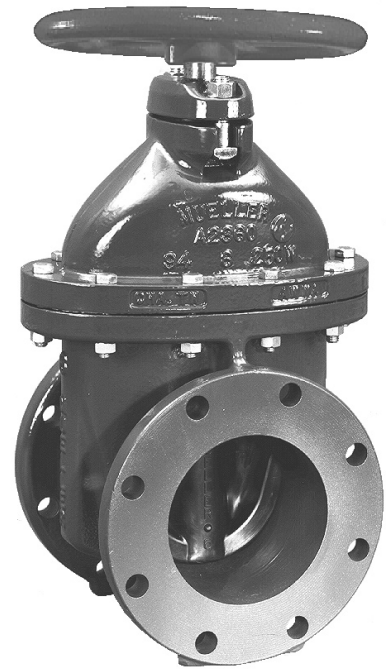


Rev. 2-06 Shaded area indicates change.

- Catalog number – **A-2360-6** flanged ends
- Sizes – 2", 2-1/2", 3", 4", 6", 8", 10", 12"
- Meets or exceeds all applicable requirements of ANSI/AWWA C509 Standard, UL Listed, FM Approved, and certified to ANSI/NSF 61.†
- Flanged end dimensions and drilling comply with ANSI B16.1, class 125
- Iron body with nominal 10 mils MUELLER® Pro-Gard™ Fusion Epoxy Coated interior and exterior surfaces
- Epoxy coating meets or exceeds all applicable requirements of ANSI/AWWA C550 Standard and is certified to ANSI/NSF 61
- Iron wedge, symmetrical & fully encapsulated with molded rubber; no exposed iron
- Non-rising stem (NRS)
- Triple O-ring seal stuffing box (2 upper & 1 lower O-rings), with fourth O-ring serving as dirt seal††
- Handwheel (2" square wrench nut optional) – open left or open right
- 250 psig (1723 kPa) maximum working pressure, 500 psig (3447 kPa) static test pressure
- 2-1/2"-12" sizes – UL Listed, FM Approved: 200 psig (1379 kPa)

† Approved for backflow prevention devices by USC (for 2-1/2" - 10" sizes)

††Dirt seal on 4"-12" valves



A-2360-6

Options

See page 10.40 for more information on Resilient Wedge Gate Valve options

- Position indicators
- Stainless steel fasteners: Type 316
- PN 10/16 Drilling
- ASTM B98-C66100/H02 stem
- 2" square wrench nut

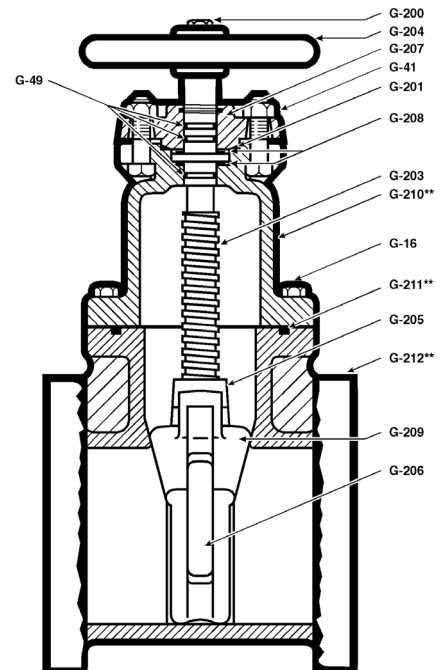
Resilient wedge gate valve parts

Catalog Part No.	Description	Material	Material standard
G-16	Bonnet Bolts & Nuts	Stainless Steel	Type 304
G-41	Stuffing Box Bolts & Nuts	Stainless Steel	Type 304
G-49	Stem O-rings (3)	Rubber	
G-200	Wrench Nut Cap Screw	Stainless Steel	Type 304
G-201	Stuffing Box Seal	Rubber	
G-202	Wrench Nut	Cast Iron	ASTM A126 CL.B
G-203	Stem	Bronze	ASTM B138
G-204	Hand Wheel (not shown)	Cast Iron	ASTM A126 CL.B
G-205	Stem Nut	Bronze	ASTM B62
G-206	Guide Cap Bearings	Celcon	
G-207	Stuffing Box with dirt seal††	Cast iron Rubber	ASTM A126 CL.B
G-208	Anti-friction Washers (2)	Celcon	
G-209	Wedge, Rubber Encapsulation	Cast Iron* SBR	ASTM A126 CL.B --
G-210**	Bonnet	Cast Iron	ASTM A126 CL.B
G-211**	Bonnet O-ring	Nitrite	
G-212**	Body	Cast Iron	ASTM A126 CL.B

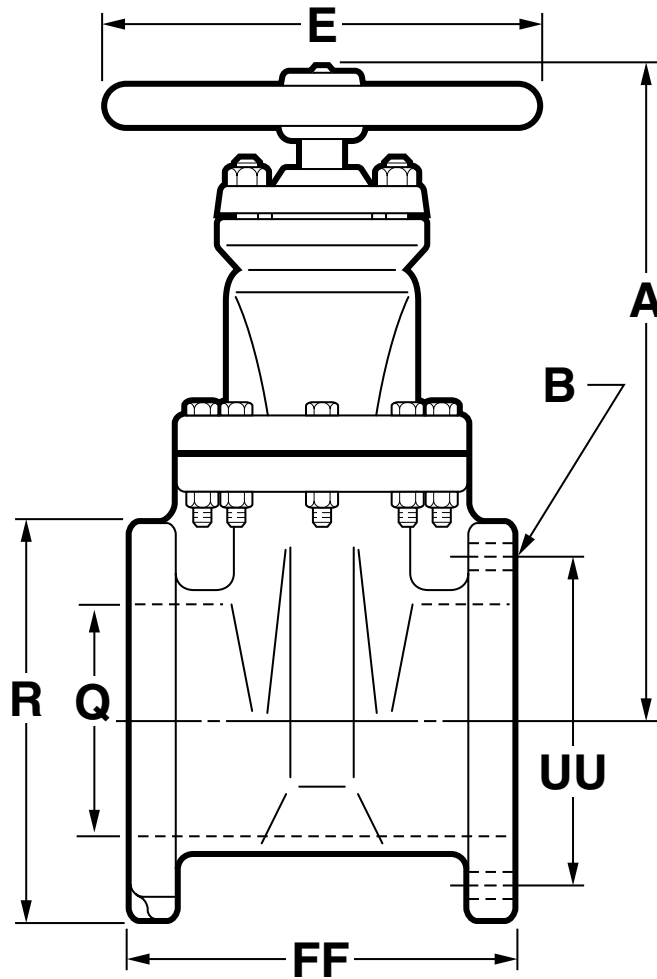
* Fully encapsulated in molded rubber with no iron exposed

** Previous to 1999 these parts on 4"-12" valves were designed with a gasket instead of an O-ring and with additional bolts (2"-3" sizes retain neoprene gasket design affecting these parts). Confirm the type of seal when ordering a replacement gasket or O-ring.

††Dirt seal on 4"-12" valves



2"-12" A-2360 RESILIENT WEDGE GATE VALVE - FL. x FL.



Dimensions

Dimension*	Nominal size							
	2"	2-1/2"	3"	4"	6"	8"	10"	12"
A	9.88	12.38	12.38	14.19	18.00	21.50	25.50	28.62
E	6.00	6.00	8.00	11.00	13.00	14.00	16.00	16.00
R	6.00	7.00	7.50	9.00	11.00	13.50	16.00	19.00
FF	7.00	7.50	8.00	9.00	10.50	11.50	13.00	14.00
Q (bore)	2.30	2.80	3.30	4.30	6.30	8.30	10.30	12.30
UU (bolt circle diameter)	4.75	5.50	6.00	7.50	9.50	11.75	14.25	17.00
B (number and size of holes)	4--.75	4--.75	4--.75	8--.75	8--.88	8--.88	12--1.00	12--1.00
Turns to open	8	11	11	14	20.5	26.5	33	38.5
Weight*	37	71	73	96	154	250	400	500

*All dimensions are in inches. All weights are in pounds and are approximate.

MUELLER

(/)

MUELLER® 2"-12" SWING TYPE GRAVITY OPERATED CHECK VALVE (FLXFL)



CATALOG NUMBERS:

- A-2600-6-02BB flanged ends, with bronze disc facing
- A-2602-6-02B1 flanged ends, with rubber disc facing

SPECIFICATIONS:

- Sizes---2", 2-1/2", 3", 4", 6", 8", 10", 12"
- Meets all applicable parts of ANSI/AWWA C508 Standard
- Epoxy coated interior & exterior for corrosion resistance
- Certified to ANSI/NSF 61
- Flanged end dimensions and drilling comply with ANSI B16.1, class 125
- Iron body, bronze mounted (IBBM)
- Choice of bronze or rubber disc facing
- For vertical or horizontal installation
- O-ring sealed stuffing box
- Adjustable spring tension to control opening and closing of clapper, lever and spring can be installed on either side of valve
- 200 psig (1400 kPa/14 barg) maximum working pressure, 400 psig (2800 kPa/28 barg) test pressure

OPTIONS:

- PN 10/PN 16 Flange Drilling 4"-12"
- Stainless Steel Nuts & Bolts
- Tapped Bosses
- Allen Bradley Limit Switch

RESOURCES:

- Check Valve Selection Chart (form 13826) (http://www.muellercompany.com/sites/muellercompany.com/files/uploads/media/muellercheckvalvesectionchartf13826_v3.pdf)
- Installation/Operation/Maintenance AWWA Swing Check Valve (form 12534 - rev 2/16) ([/sites/muellercompany.com/files/uploads/media/12534SwingCheckManual216.pdf](http://www.muellercompany.com/sites/muellercompany.com/files/uploads/media/12534SwingCheckManual216.pdf))
(<http://www.muellercompany.com/sites/muellercompany.com/files/uploads/media/11160rev4->
- 2-1/2" - 12" Swing Check Valves (form 11160 - rev 4/12) 12.pdf)
- 2-1/2" - 12" Bronze Mounted Swing Check Valves (form 11340 - rev 4/06) (http://www.muellercompany.com/sites/muellercompany.com/files/uploads/media/11340_swing_check_valve.pdf)
- Check Valves Installation Warning (form 10836 - rev 3/16) (<http://www.muellercompany.com/sites/muellercompany.com/files/uploads/media/10836.pdf>)

FULL LINE CATALOG ([HTTP://IPAPER.IPAPERCMS.DK/MUELLERCO/MUELLER-WATER-DISTRIBUTION-PRODUCTS-CATALOG/13-CHECK-VALVES/13-CHECK-VALVES/?PAGE=2](http://IPAPER.IPAPERCMS.DK/MUELLERCO/MUELLER-WATER-DISTRIBUTION-PRODUCTS-CATALOG/13-CHECK-VALVES/13-CHECK-VALVES/?PAGE=2))

NEWSLETTER SIGN UP

[SALES \(/SALES/\)](#) [SUPPORT \(/SUPPORT/\)](#) [COMPANY \(/COMPANY/\)](#) [CONTACT \(/CONTACT/\)](#) [LEGAL \(/LEGAL/\)](#) [PRIVACY POLICY \(/PRIVACY-POLICY/\)](#)



Mueller Co. LLC is a subsidiary of Mueller Water Products, Inc. | Copyright © 2007-2020 Mueller Co. LLC | Trademark/Patent Information (<http://www.mwppat.com/>)