

## INSTALLATION DRAWINGS

TRYLON DWG. NO.	DRAWING NAME	TRYLON DWG. NO.	DRAWING NAME
159737.319.0103	TITLE PAGE	159737.319.2401	SPLICE PLATE DETAILS
159737.319.0301	TOWER PROFILE	159737.319.2701	ANTENNA MOUNT DETAILS
159737.319.0302	DESIGN ANTENNA CHART	159737.319.2702	ANTENNA MOUNT DETAILS
159737.319.0303	INITIAL ANTENNA CHART	159737.319.2703	ANTENNA MOUNT DETAILS
159737.319.0304	Tx-LINE LAYOUT	159737.319.2704	ANTENNA MOUNT DETAILS
159737.319.0401	COMPOUND LAYOUT	159737.319.2705	ANTENNA MOUNT DETAILS
159737.319.0601	TOWER FOUNDATION – ELEV VIEW	159737.319.2706	ANTENNA MOUNT DETAILS
159737.319.0602	TOWER FOUNDATION – PLAN VIEW	159737.319.2707	ANTENNA MOUNT DETAILS
159737.319.0603	REBAR CHART	159737.319.2708	ANTENNA MOUNT DETAILS
159737.319.0604	FOUNDATION NOTES	159737.319.2709	ANTENNA MOUNT DETAILS
159737.319.0605	WGB FOUNDATION	159737.319.2710	FIXED CROSSOVER ASSEMBLY
159737.319.0901	TEMPLATE ASSEMBLY	159737.319.2711	LARGE BACKING 'B' CHANNEL ASS'Y
159737.319.1201	GROUNDING DETAILS	159737.319.2712	HYB. ASS'Y 4-1/2" OD- 8" ANG.
159737.319.1202	GROUNDING DETAILS	159737.319.2713	FIXED CROSSOVER ASSEMBLY
159737.319.1203	GROUNDING DETAILS	159737.319.2714	STABILIZER CLIP KIT (3-1/2")
159737.319.1204	GROUND WIRE CUTTING CHART	159737.319.2715	HD (4-1/2 x 72) 1' T-S/O
159737.319.1205	GROUNDING NOTES	159737.319.2716	2' SAS (3-1/2" PIPE) MED 'B'
159737.319.1206	UNIVERSAL LIGHTNING ROD KIT	159737.319.2717	MEDIUM ADJ. PARALLEL CLAMP
159737.319.1207	BUSS BAR INSTALLATION	159737.319.2718	FIXED CROSSOVER ASSEMBLY
159737.319.1501	STUB LEG ASSEMBLY	159737.319.3601	KDSS ANTI-CLIMBER
159737.319.1502	SECTION ASS'Y (0.0m-5.8m)	159737.319.3901	Tx-LINE BRACKET ASSEMBLY
159737.319.1503	SECTION ASS'Y (5.8m-11.6m)	159737.319.3902	DOUBLE 12" W/G BRIDGE ASSY
159737.319.1504	SECTION ASS'Y (11.6m-17.4m)	159737.319.3903	DOUBLE 12" W/G BRIDGE ASSY
159737.319.1505	SECTION ASS'Y (17.4m-23.2m)	159737.319.3904	60" W/G BRIDGE SHIELD ASSY
159737.319.1506	SECTION ASS'Y (23.2m-29.0m)	159737.319.3905	45° SPLICE PLATE ASSEMBLY
159737.319.1507	SECTION ASS'Y (29.0m-34.8m)	159737.319.4201	DIALIGHT A1 LIGHTING SYSTEM
159737.319.1508	SECTION ASS'Y (34.8m-40.5m)	159737.319.4202	DIALIGHT A1 MOUNTING PROFILE
159737.319.1509	SECTION ASS'Y (40.5m-46.3m)	159737.319.4203	JUNCTION BOX MOUNTING
159737.319.1510	SECTION ASS'Y (46.3m-52.1m)	159737.319.4204	LIGHT FIXTURE MOUNT 'A' KIT
159737.319.1511	SECTION ASS'Y (52.1m-57.9m)	159737.319.4205	SM (12"x24") I/S w MD KITS
159737.319.1512	SECTION ASS'Y (57.9m-63.7m)	159737.319.4206	LIGHT FIXTURE MOUNT 'B' KIT
159737.319.1513	SECTION ASS'Y (63.7m-66.6m)	159737.319.4207	SM (12"x24") I/S LG KITS
159737.319.1801	LADDER DETAILS	159737.319.7201	GENERAL TOWER ASSY NOTES
159737.319.1802	CANTILEVER PLATFORM ASSEMBLY		
		159737	BILL OF MATERIALS

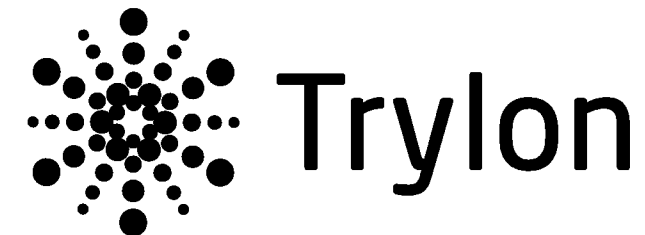
JOB DESCRIPTION: 218.5' [66.6M] KDSS TOWER  
 SITE NAME: DEVONSHIRE PARISH, BERMUDA

TRYLON JOB NO.: 159737  
 CUSTOMER: GOVERNMENT OF BERMUDA

LATITUDE: 32.299186°  
 LONGITUDE: -64.765877°

**NOTE:** PROFESSIONAL ENGINEERING STAMP APPLIES ONLY TO THE DRAWINGS INCLUDED HEREIN.

COPYRIGHT HEREIN IS THE PROPERTY OF TRYLON MANUFACTURING COMPANY LTD. ALL DUPLICATION, RECORDING, DISCLOSURE OR USE IS PROHIBITED WITHOUT WRITTEN CONSENT OF TRYLON MANUFACTURING COMPANY LTD.



IN CASE OF EMERGENCY CALL:  
 519-669-5421 (DAYS)  
 1-877-572-9995 (EVENINGS AND WEEKENDS)

PAINT	1501&1502	1503	1504	1505	1506	1507	1508	1509	1510	1511	1512	1513
INSTALL DRAWING	A	B	C	D	E	F	G	H	I	J	K	
LEG (50W)	M	L	W	L	U	S	T	P	N		R	
DIAGONAL (44W)	N	O	R	R	R	V	V	V	V	N		R
HORIZONTAL (44W)	N	R	R	R	R	V	V	V	V			
SUB HORIZONTAL (44W)	O	R	R	R	R	V	V	V	V			
SUB DIAGONAL (44W)	P											
PLAN BRACE (44W)			O		R		V					
SECTION WT (lbs)	11551	6839	7038	4758	3906	3319	2756	2290	2021	1913	1266	675
LADDER WT (lbs)	235	215	215	215	215	215	215	215	215	215	215	97
Tx BRKT WT (lbs)	44	44	44	44	44	44	44	44	44	44	44	16
LOWER SPLICE WT (lbs)	491	445	352	340	333	374	198	186	130	80	67	67
TOTAL WT (lbs)	12321	7543	7649	5357	4498	3952	3213	2735	2410	2252	1592	855

EL. = 218.5'  
8.0' HEEL TO HEEL  
EL. = 209.0'  
8.0' HEEL TO HEEL

EL. = 190.0'  
8.0' HEEL TO HEEL

EL. = 171.0'  
8.0' HEEL TO HEEL

EL. = 152.0'  
10.0' HEEL TO HEEL

EL. = 133.0'  
12.0' HEEL TO HEEL

EL. = 114.0'  
14.0' HEEL TO HEEL

EL. = 95.0'  
16.0' HEEL TO HEEL

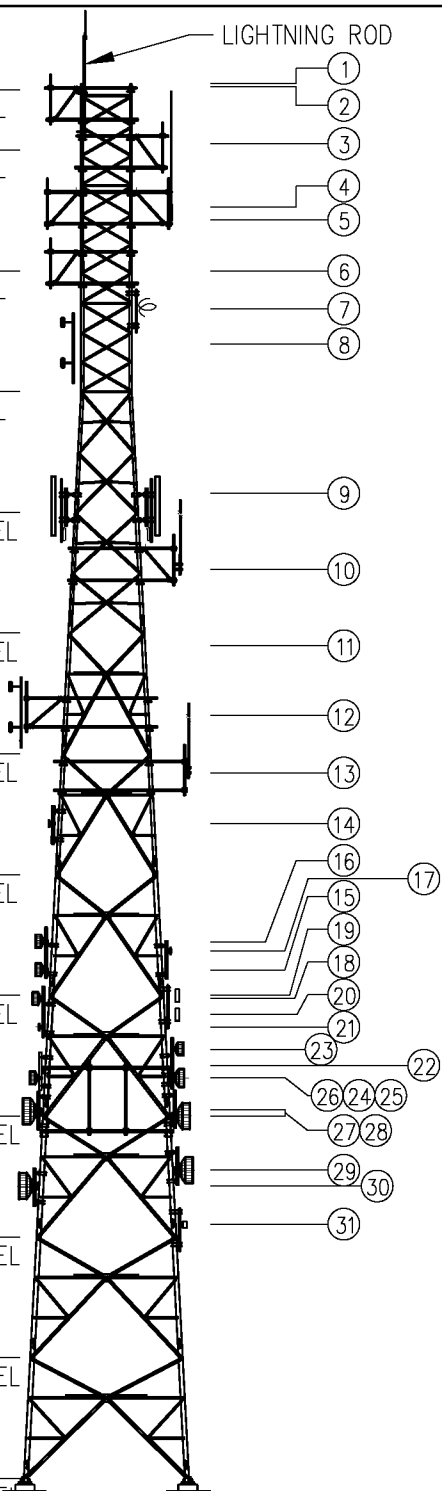
EL. = 76.0'  
18.0' HEEL TO HEEL

EL. = 57.0'  
20.0' HEEL TO HEEL

EL. = 38.0'  
22.0' HEEL TO HEEL

EL. = 19.0'  
24.0' HEEL TO HEEL

EL. = 0.0'  
26.0' HEEL TO HEEL



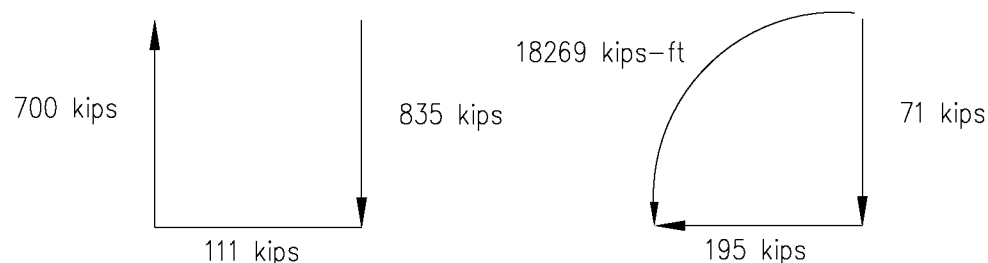
218.5' [66.6M] KDSS ANGLE LEG TOWER

**MEMBERS LEGEND**

- A = V 8" x 8" x 1-1/8"
- B = V 8" x 8" x 1"
- C = V 8" x 8" x 7/8"
- D = V 8" x 8" x 3/4"
- E = V 8" x 8" x 5/8"
- F = V 6" x 6" x 3/4"
- G = V 6" x 6" x 5/8"
- H = V 6" x 6" x 1/2"
- I = V 5" x 5" x 1/2"
- J = V 5" x 5" x 3/8"
- K = V 4" x 4" x 5/16"
- L = L 5" x 5" x 3/8" - 44W
- M = L 4" x 4" x 5/16" B/B - 44W
- N = L 3" x 3" x 1/4" - 44W
- O = L 3" x 3" x 3/16" - 44W
- P = L 3-1/2" x 3-1/2" x 1/4" - 44W
- R = L 2-1/2" x 2-1/2" x 3/16" - 44W
- S = L 4" x 4" x 5/16" - 44W
- T = L 4" x 4" x 1/4" - 44W
- U = L 4" x 4" x 3/8" - 44W
- V = L 2" x 2" x 3/16" - 44W
- W = L 5" x 5" x 5/8" B/B - 44W

**TOWER DESIGNED TO SITE SPECIFIC:**

DESIGN STANDARD: TIA-222-H  
 BASIC 3 SEC. GUST WIND SPEED: 160.0 (mph)  
 SERVICE WIND SPEED: 90.0 (mph)  
 BASIC ICE THICKNESS: 0.00 (in)  
 TOPOGRAPHIC CATEGORY: 3  
 EXPOSURE CATEGORY: C  
 IMPORTANCE CLASS: 3  
 HEIGHT OF CREST: 208 (feet)  
 ELEV. ABOVE SEA LEVEL: 208 (feet)  
 MAX. M/W ROTATION @ 90.0 (mph): 0.5"  
 LATITUDE: 32.299186°  
 LONGITUDE: -64.765877°  
 \* DESIGN PARAMETERS PER CLIENT EMAIL RECEIVED 13-JUN-2019.  
 ELEVATION ABOVE SEA LEVEL & HEIGHT OF CREST FROM GOOGLE EARTH.



**LEG FOUNDATION LOADS**    **GLOBAL FOUNDATION LOADS**  
(PER FOUNDATION)

REV.	BY: REV.	BY: CHK.	DESCRIPTION	DATE
A	MA	PS	ISSUE FOR APPROVAL	20 FEB 20
B	HM	MA	ISSUE FOR CONSTRUCTION	05 MAY 20
C	ON	MP	REVISED LOADING	14 MAY 20

REFERENCE DRAWINGS:	
DRAWING NUMBER	DRAWING NUMBER
0302	
0303	
0304	

CONFIDENTIAL: ALL INTELLECTUAL PROPERTY RIGHTS HEREIN ARE THE PROPERTY OF TRYLON INC. ALL DUPLICATION, RECORDING, DISCLOSURE OR USE IS PROHIBITED WITHOUT WRITTEN CONSENT OF TRYLON INC.

DRAWING NO. 159737.319.0301

- NOTES:
- 1) FOUNDATION LOADS ARE FACTORED.
  - 2) ANTENNA WEIGHTS ARE NOT INCLUDED IN THE TOWER SECTION WEIGHTS.
  - 3) REFER TO DWG 0302 FOR DESIGN ANTENNA LOADING CHART.
  - 4) REFER TO DWG 0303 FOR INITIAL ANTENNA LOADING CHART.
  - 5) REFER TO DWG 0304 FOR TX-LINE LAYOUT.

CUSTOMER: GOV OF BERMUDA	SITE: DEVONSHIRE PARISH	SCALE: 370.000
DATE: 20 FEB 20	BY: MA	CHK: PS
TITLE: TOWER PROFILE		APP: ZA

DESIGN ANTENNA LOADING CHART								
Description	Qty	Elev. (m)	Elev. (ft)	Azimuth (*TN)	TX Line IN 3-ROWS	Qty	Owner	Status
L.Rod	1	67.1	220	0	3/8"OD	1	GOV	Design
6' Omni +Face Mount	1	66.9	219.5	0	7/8"OD	1	GOV	Design
4' Omni LegMounted	1	66.8	219	0	7/8"OD	1	GOV	Design
6' Omni +Face Mount	1	64	210	0	7/8"OD	1	GOV	Design
8' Omni +Face Mount	1	61	200	0	7/8"OD	1	ECL	Design
20' OMNI +Face Mount	1	60.4	198	0	7/8"OD	1	BMOC (VHF)	Design
Tetra AE3 Leg Mounted	1	57.9	190	0	3/8"OD	1	GOV	Design
JANPRO JLCP-1 FM +Leg Mount	1	56.1	184	0	1/2"OD	1	EMO	Design
2 BAY FM: 3'Tx2"W X 2'L	1	54.4	178.5	240	1-5/8"OD	1	IIC FM	Design
(**) Panel 72x12x6" Leg Mounted	3	47.2	155	0	1/2"OD	3	GOV	Design
20' Omni +Face Mount	1	43.6	143	0	7/8"OD	1	BMOC (VHF)	Design
PARAGRID: 18"Tx3'W LegMounted	1	39.9	131	275	1/2"OD	1	IIC FM	Design
2BAY FM: 2'Tx2'W X 2' L +12"StandOff	1	36.6	120	120	7/8"OD	1	IRIE FM	Design
20' Omni +Face Mount	1	33.8	111	0	7/8"OD	1	BMOC (VHF)	Design
1-ft MW +(1)ODU +12"StandOff	1	31.4	103	195	3/8"OD	1	CCS/BPS	Design
1-ft MW +(1)ODU +12"StandOff	1	25.3	83	15	3/8"OD	1	CCS/BPS	Design
2-ft MW +(1)ODU +12"StandOff	1	25.3	83	300	3/8"OD	1	CCS/BPS	Design
2-ft MW +(1)ODU +12"StandOff	1	24.4	80	300	3/8"OD	1	CCS/BPS	Design
2-ft MW +(1)ODU +12"StandOff	1	23.2	76	195	3/8"OD	1	CCS/BPS	Design
2-ft Panel +(1)ODU +12"StandOff	1	23.2	76	315	3/8"OD	1	CCS/BPS	Design
2-ft Panel +(1)ODU +12"StandOff	1	22.3	73	50	3/8"OD	1	CCS/BPS	Design
1-ft MW +(1)ODU +12"StandOff	1	21.6	71	235	3/8"OD	1	CCS/BPS	Design
Y4503 +Leg Mount	1	19.8	65	0	1/2"OD	1	EMO	Design
2-ft MW +(1)ODU +12"StandOff	1	19.2	63	0	1/2"OD	1	GOV	Design
VHLP3-6W-DW1 +(2)ODU	1	19.2	63	315	3/8"OD	2	CCS/BPS	Design
VHLP4-6W-DW1C +(2)ODU	1	19.2	63	50	3/8"OD	2	CCS/BPS	Design
2-ft MW +(1)ODU +12"StandOff	1	18.3	60	0	1/2"OD	1	GOV	Design
VHLP4-6W-DW1C +(2)ODU	1	17.7	58	235	3/8"OD	2	CCS/BPS	Design
VHLP4-6W-DW1C +(2)ODU	1	17.7	58	50	3/8"OD	2	CCS/BPS	Design
3-ft MW +(1)ODU +12"StandOff	1	14.8	48.5	50	3/8"OD	1	BMOC	Design
3-ft MW +(1)ODU +12"StandOff	1	14	46	235	3/8"OD	1	BMOC	Design
1-ft Sqr Panel +12"StandOff	1	12.2	40	0	3/8"OD	1	ECL	Design
(**) Panel 72x12x6" ASSUMED								


STATUS: E-EXISTING, F-FUTURE, I-INITIAL, P-PROPOSED

REV.	BY: REV.	BY: CHK.	DESCRIPTION	DATE
A	MA	PS	ISSUE FOR APPROVAL	20 FEB 20
B	HM	MA	ISSUE FOR CONSTRUCTION	05 MAY 20

REFERENCE DRAWINGS:

DRAWING NUMBER	DRAWING NUMBER

CONFIDENTIAL: ALL INTELLECTUAL PROPERTY RIGHTS HEREIN ARE THE PROPERTY OF TRYLON INC. ALL DUPLICATION, RECORDING, DISCLOSURE OR USE IS PROHIBITED WITHOUT WRITTEN CONSENT OF TRYLON INC



DRAWING NO. 159737.319.0302

NOTES:

CUSTOMER: GOV OF BERMUDA	SITE: DEVONSHIRE PARISH	SCALE: 1.000
DATE: 20 FEB 20	BY: MA	CHK: PS
APP: ZA		
TITLE: DESIGN ANTENNA CHART		


ITEM No.	ANTENNA							Tx. LINE		TIE IN SITE	OWNER
	QTY.	MAKE AND MODEL OF ANTENNA	ELEVATION (ft.)	ELEVATION (m)	AZIMUTH (*TN)	DOWN TILT (E/M*)	STATUS	QTY.	DESCRIPTION		
1	1	6' Omni +Face Mount	219.5	66.9	OMNI	TBD	INITIAL	1	TBD	-	GOV
2	1	TETRA AE1 + FACE Mounted	220	67.0	180	TBD	INITIAL	1	TBD	-	GOV
3	1	TETRA AE2 + Face Mount	210	64	90	TBD	INITIAL	1	TBD	-	GOV
4	1	TETRA 8' WHIP + Face Mount	200	61	180	TBD	INITIAL	1	TBD	-	ECL
5	1	20' OMNI + Face Mount	198	60.4	OMNI	TBD	INITIAL	1	7/8"OD	-	BMOC
6	1	Tetra AE3 Leg Mounted	190	57.9	270	TBD	INITIAL	1	3/8"OD	-	EMO
7	1	JAMPRO JLCP-1 FM +Leg Mount	184	56.1	N/A	TBD	INITIAL	1	1/2"OD	-	EMO
8	1	2 BAY FM: 3'Tx2"W X 2'L	178.5	54.4	N/A	TBD	INITIAL	1	1-5/8"OD	-	IIC FM
9	3	(**) Panel 72x12x6" Leg Mounted	153	46.6	0°/90°/270°	TBD	INITIAL	3	1/2"OD	-	GOV
10	1	20' Omni +Face Mount	143	43.6	OMNI	TBD	INITIAL	1	7/8"OD	-	BMOC
11	1	PARAGRID: 18"Tx3'W - LEG MOUNTED	131	39.9	275	TBD	INITIAL	1	1/2"OD	-	IIC FM
12	1	2BAY FM: 2'Tx2'W X 2' L+StandOff	120	36.6	120	TBD	INITIAL	1	7/8"OD	-	IRIE FM
13	1	20' Omni +Face Mount	111	33.8	OMNI	TBD	INITIAL	1	7/8"OD	-	BMOC
14	1	HPCPE-23DW2 +(1)ODU+StandOff	103	31.4	195	TBD	INITIAL	1	3/8"OD	-	CCS/BPS
15	1	SPD2-5-2NS+(1)ODU+StandOff	83	25.3	15	TBD	INITIAL	1	3/8"OD	-	CCS/BPS
16	1	2-ft MW +(1)ODU +StandOff	84.5	25.7	300	TBD	INITIAL	1	3/8" OD	-	CCS/BPS
17	1	SPD2-5 2NS +(1)ODU + StandOff	80	24.4	300	TBD	INITIAL	1	3/8" OD	-	CCS/BPS
18	1	2-ft MW +(1)ODU + StandOff	75.5	23.0	195	TBD	INITIAL	1	3/8" OD	-	CCS/BPS
19	1	AFS-DBG-0360-01 PANEL+StandOff	76	23.2	315	TBD	INITIAL	1	3/8" OD	-	CCS/BPS
20	1	AFS-DBG-0360-01 PANEL+StandOff	73	22.3	50	TBD	INITIAL	1	3/8" OD	-	CCS/BPS
21	1	HPCPE-23DW2 +(1)ODU + StandOff	71	21.6	235	TBD	INITIAL	1	3/8" OD	-	CCS/BPS
22	1	Y4503 + Leg Mount	65	19.8	0	TBD	INITIAL	1	1/2" LDF	-	EMO
23	1	2-ft MW +(1)ODU + StandOff	67.5	20.5M	90	TBD	INITIAL			-	GOV
24	1	VHLP3-6W-DW1 +(2)ODU	63	19.2	315	TBD	INITIAL	4	3/8" OD	-	CCS/BPS
25	1	VHLP4-6W-DW1C + (2)ODU	63	19.2	50	TBD	INITIAL			-	CCS/BPS
26	1	2-ft MW +(1)ODU + StandOff	63	19.2	270	TBD	INITIAL	-	TBD	-	GOV
27	1	VHLP4-6W-DW1C + (2)ODU	58	17.7	235	TBD	INITIAL	4	3/8" OD	-	CCS/BPS
28	1	VLP4-6W DW-1C + (2)ODU	57	17.6	50	TBD	INITIAL			-	CCS/BPS
29	1	3-ft MW +(1)ODU + StandOff	48.5	14.8	50	TBD	INITIAL	1	3/8" LDF	-	BMOC
30	1	3-ft MW +(1)ODU + StandOff	46	14	235	TBD	INITIAL	1	3/8" LDF	-	BMOC
31	1	1-ft Sqr Panel + StandOff	40	12.2	0	TBD	INITIAL	1	TBD	-	ECL

REV.	BY: REV.	BY: CHK.	DESCRIPTION	DATE
A	HM	MA	ISSUE FOR CONSTRUCTION	5 MAY 20
B	ON	MP	REVISED ANTENNA CHART	14 MAY 20

REFERENCE DRAWINGS:

DRAWING NUMBER	DRAWING NUMBER

CONFIDENTIAL: ALL INTELLECTUAL PROPERTY RIGHTS HEREIN ARE THE PROPERTY OF TRYLON INC. ALL DUPLICATION, RECORDING, DISCLOSURE OR USE IS PROHIBITED WITHOUT WRITTEN CONSENT OF TRYLON INC



DRAWING NO. 159737.319.0303

CUSTOMER: GOV OF BERMUDA SITE: DEVONSHIRE PARISH SCALE: 1.000

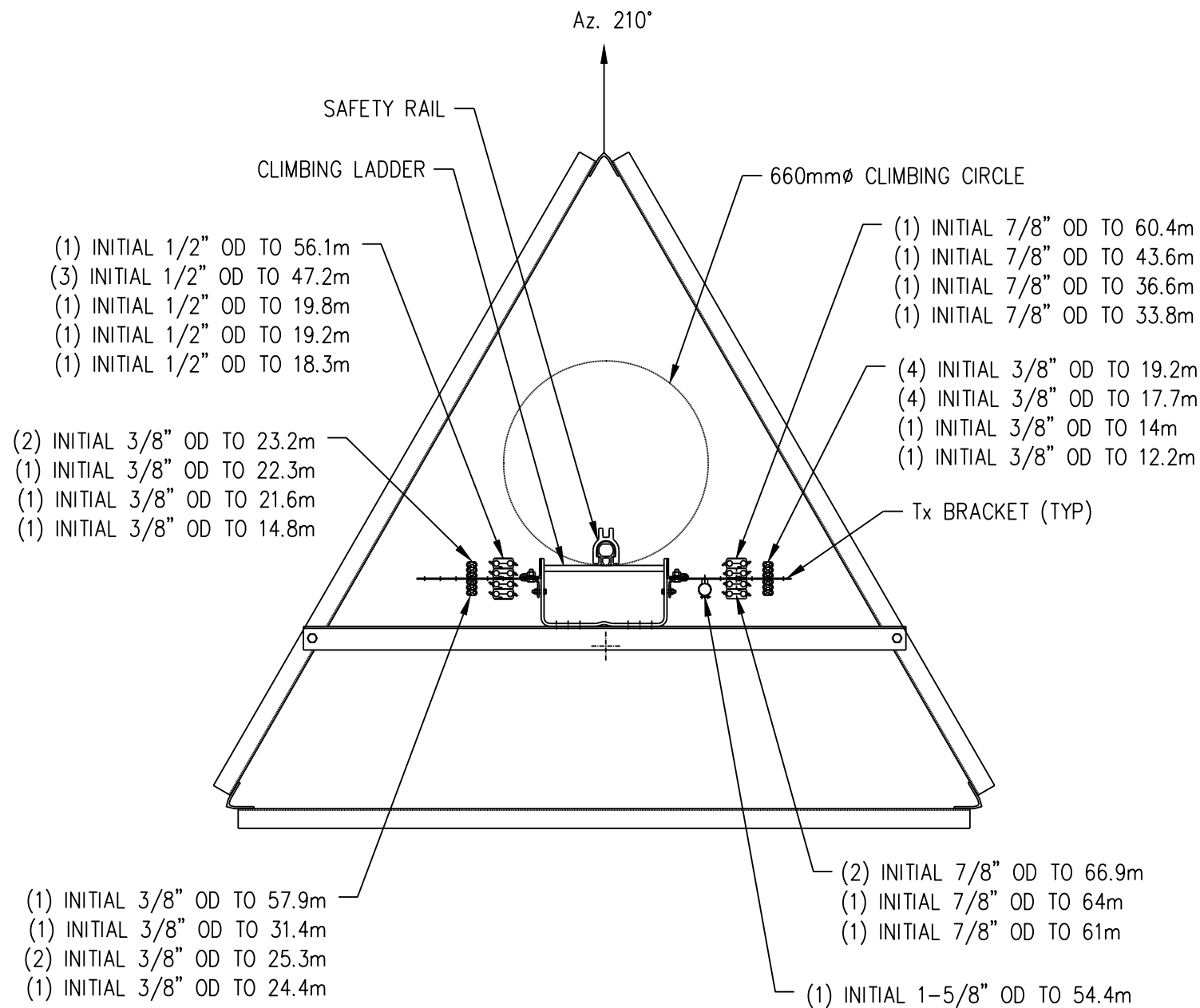
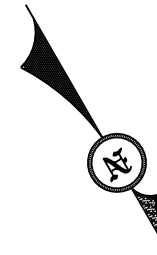
DATE: 5 MAY 20 BY: HM CHK: MA APP: ZA

TITLE: INITIAL ANTENNA CHART

NOTES:




REV.	BY: REV.	BY: CHK.	DESCRIPTION	DATE
A	HM	MA	ISSUE FOR CONSTRUCTION	05 MAY 20



REFERENCE DRAWINGS:

DRAWING NUMBER	DRAWING NUMBER

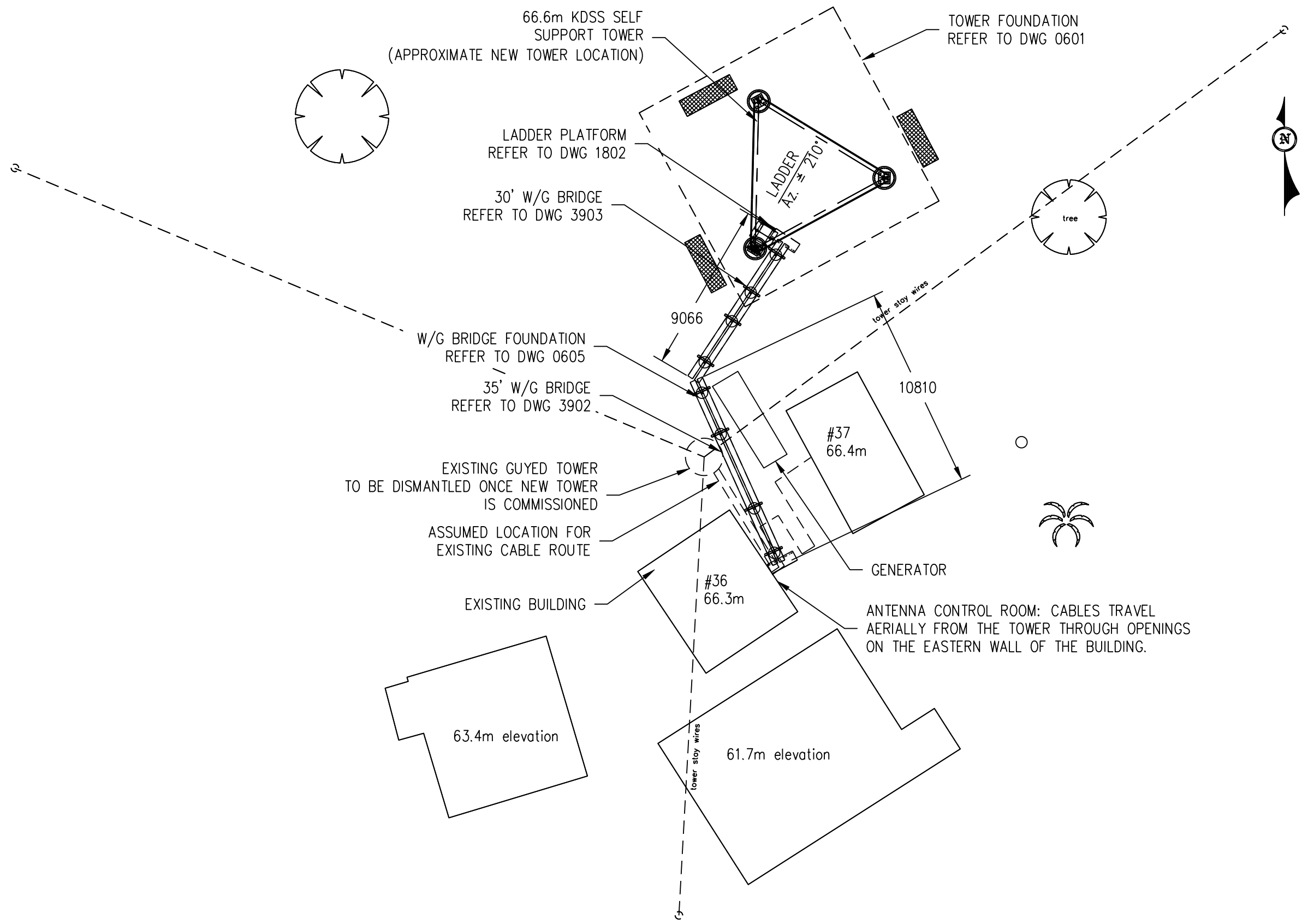
CONFIDENTIAL: ALL INTELLECTUAL PROPERTY RIGHTS HEREIN ARE THE PROPERTY OF TRYLON INC. ALL DUPLICATION, RECORDING, DISCLOSURE OR USE IS PROHIBITED WITHOUT WRITTEN CONSENT OF TRYLON INC



DRAWING NO.  
159737.319.0304

NOTES:

CUSTOMER: GOV OF BERMUDA	SITE: DEVONSHIRE PARISH	SCALE: 20.000
DATE: 05 MAY 20	BY: HM	CHK: MA
APP: ZA	TITLE: Tx-LINE LAYOUT	




REV.	BY: REV.	BY: CHK.	DESCRIPTION	DATE
A	MA	PS	ISSUE FOR APPROVAL	20 FEB 20
B	HM	MA	ISSUE FOR CONSTRUCTION	05 MAY 20

REFERENCE DRAWINGS:

DRAWING NUMBER	DRAWING NUMBER
0601	
0605	
1802	
3902	
3903	

CONFIDENTIAL: ALL INTELLECTUAL PROPERTY RIGHTS HEREIN ARE THE PROPERTY OF TRYLON INC. ALL DUPLICATION, RECORDING, DISCLOSURE OR USE IS PROHIBITED WITHOUT WRITTEN CONSENT OF TRYLON INC



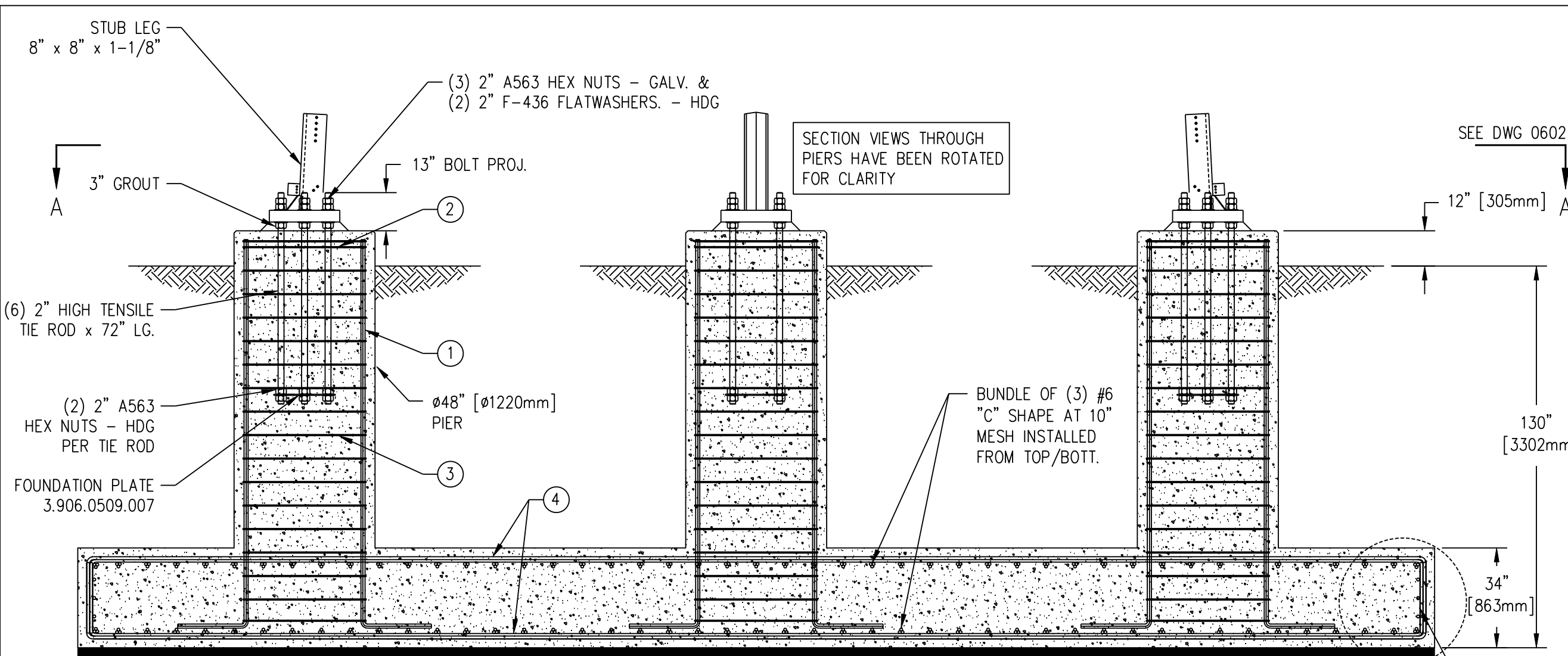
DRAWING NO. 159737.319.0401

CUSTOMER: GOV OF BERMUDA    SITE: DEVONSHIRE PARISH    SCALE: 225.000

DATE: 20 FEB 20    BY: MA    CHK: PS    APP: ZA

TITLE: COMPOUND LAYOUT

NOTES:

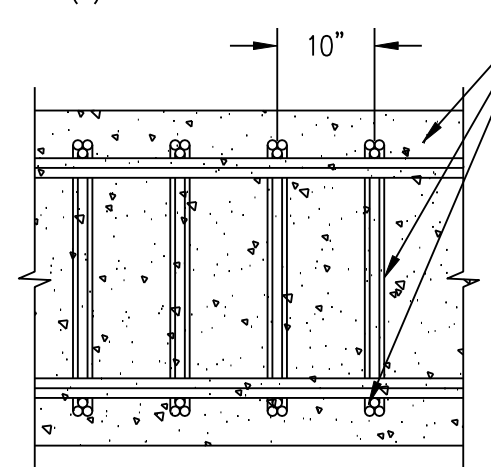


SECTION VIEWS THROUGH PIERS HAVE BEEN ROTATED FOR CLARITY

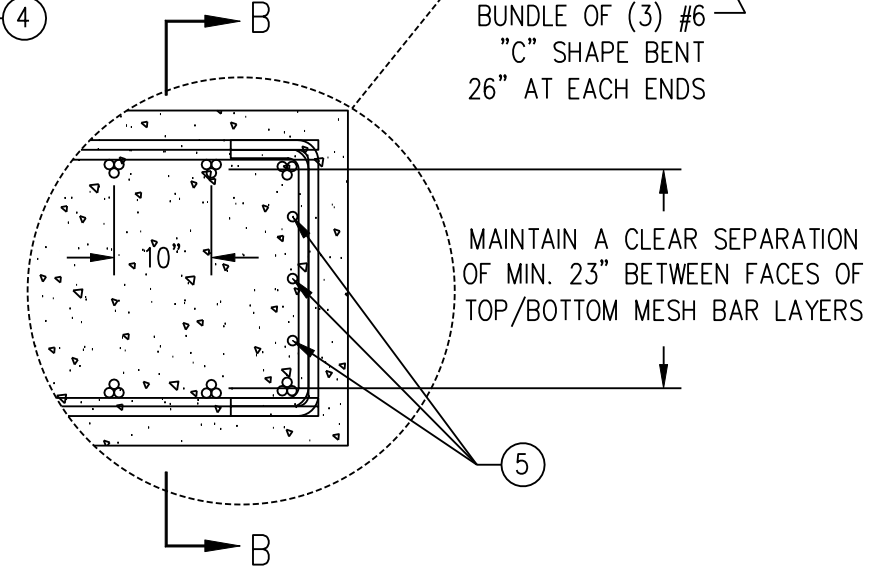
SEE DWG 0602

WHEN GROUND BELOW PAD IS SATURATED, A WORKING-BASE OF 3" THK. MIN. (5MPa LEAN-MIX OR CRUSHED STONES) IS RECOMMENDED.

**BASE FOUNDATION**  
(1) REQUIRED



SECTION B-B



BASE FOUNDATION RE-BAR/TIE SCHEDULE									
PIER DETAILS (SEE NOTE #1)					PAD DETAILS				
ITEM	QTY	SIZE	TYPE	SPACING	ITEM	QTY	SIZE	TYPE	SPACING
1	90	#6	—	*	4	141	#6	—	**
2	2	#4	○	2"	5	12	#6	—	6 1/4"
3	16	#4	○	8"					

- NOTES:
- PIER RE-BAR QUANTITIES LISTED REPRESENTS THE QUANTITY FOR ONE PIER ONLY.
  - '\*' - BARS IN BUNDLE OF (3), EQUALLY SPACED,
  - '\*\*' - 564 BARS REQUIRED IN TOTAL, EQUALLY SPACED EACH WAY, TOP & BOTTOM, APPROXIMATE SPACING IS 10". BARS IN BUNDLE OF (3), EQUALLY SPACED.
  - REFER TO REBAR DRAWING 159737.319.0603 FOR CUTTING LENGTHS AND FABRICATION DETAILS.

- NOTES:
- THE FOUNDATIONS SHALL BE INSPECTED AT ALL CRITICAL STAGES OF THE WORK BY AN ENGINEER OR A QUALIFIED PERSON REPORTING TO THE ENGINEER.
  - REFER TO 0604 DWG FOR FOUNDATION NOTES.

REV.	BY: REV.	BY: CHK.	DESCRIPTION	DATE
A	HM	MA	ISSUE FOR CONSTRUCTION	05 MAY 20

REFERENCE DRAWINGS:

DRAWING NUMBER	DRAWING NUMBER
0602	
0603	

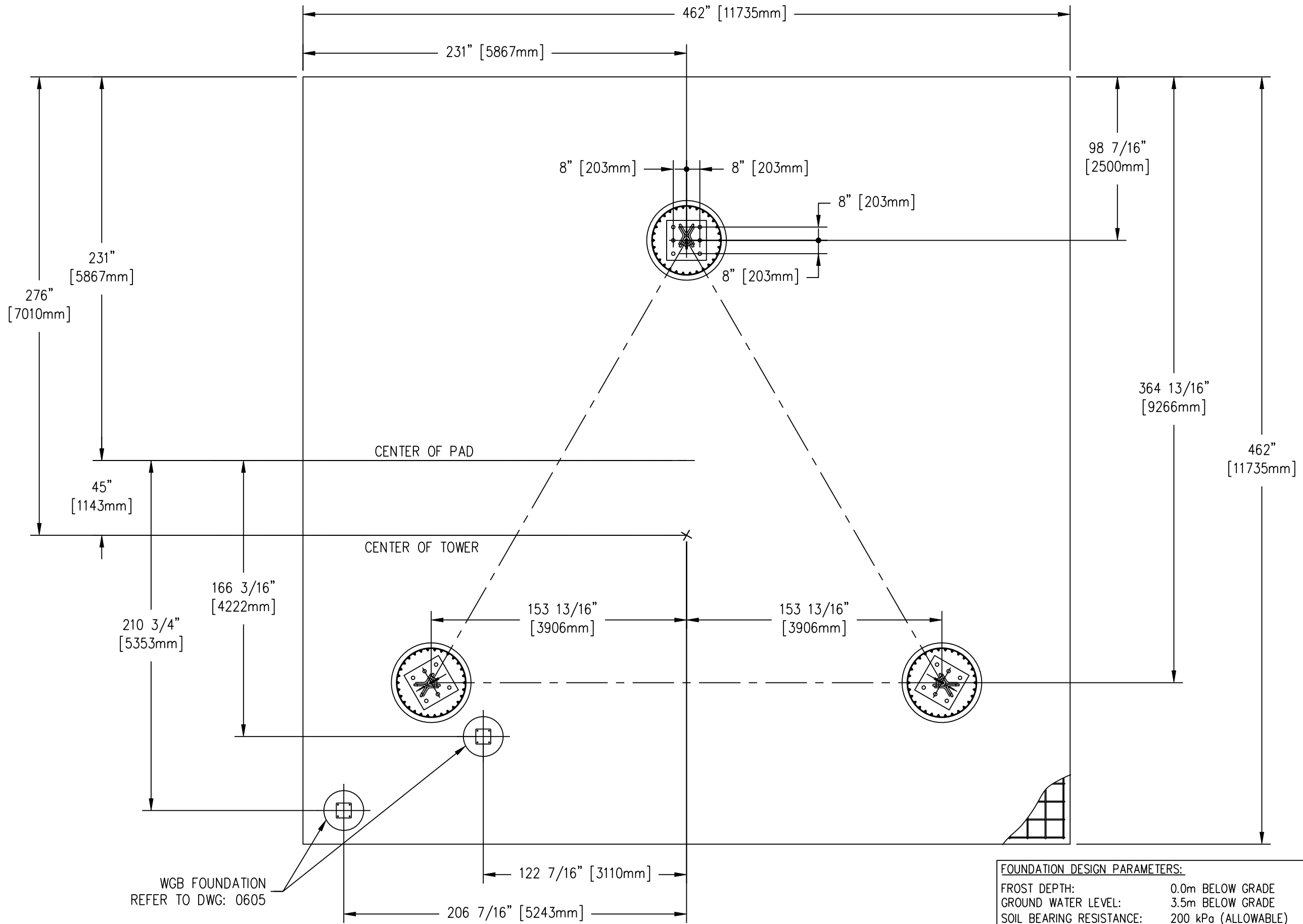
CONFIDENTIAL: ALL INTELLECTUAL PROPERTY RIGHTS HEREIN ARE THE PROPERTY OF TRYLON INC. ALL DUPLICATION, RECORDING, DISCLOSURE OR USE IS PROHIBITED WITHOUT WRITTEN CONSENT OF TRYLON INC

DRAWING NO. 159737.319.0601

CUSTOMER: GOV OF BERMUDA    SITE: DEVONSHIRE PARISH    SCALE: 40.00

DATE: 05 MAY 20    BY: HM    CHK: MA    APP: ZA

TITLE: TOWER FOUNDATION - ELEV VIEW



SECTION A-A

WGB FOUNDATION REFER TO DWG: 0605

**FOUNDATION DESIGN PARAMETERS:**

FROST DEPTH:	0.0m BELOW GRADE
GROUND WATER LEVEL:	3.5m BELOW GRADE
SOIL BEARING RESISTANCE:	200 kPa (ALLOWABLE) 400 kPa (ULS)
SOIL DENSITY:	$\gamma = 17.3, \gamma' = 7.8 \text{ kN/m}^3$
INTERNAL ANGLE OF FRICTION:	20°
Kp:	2

REV.	BY: REV.	BY: CHK.	DESCRIPTION	DATE
A	HM	MA	ISSUE FOR CONSTRUCTION	05 MAY 20

REFERENCE DRAWINGS:

DRAWING NUMBER	DRAWING NUMBER
0605	

CONFIDENTIAL: ALL INTELLECTUAL PROPERTY RIGHTS HEREIN ARE THE PROPERTY OF TRYLON INC. ALL DUPLICATION, RECORDING, DISCLOSURE OR USE IS PROHIBITED WITHOUT WRITTEN CONSENT OF TRYLON INC.

**Trylon**

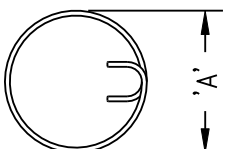
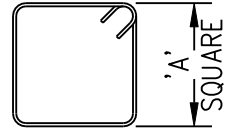
DRAWING NO. 159737.319.0602

CUSTOMER: GOV OF BERMUDA  
SITE: DEVONSHIRE PARISH  
SCALE: 60.00

DATE: 05 MAY 20  
BY: HM  
CHK: MA  
APP: ZA

TITLE: TOWER FOUNDATION – PLAN VIEW

### BAR LIST FOR REINFORCING STEEL

ITEM	BAR LOCATION	BAR SIZE	TYPE	TOTAL LENGTH OF BAR (inch)	BENDING DIAGRAM		QTY. REQ'D	TOTAL BAR WT.	
					DIM. 'A'	DIM. 'B'			
4	TWR PAD	#6	'C' SHAPE	488-1/4"	456"	26"	376	22978	
	TWR PAD	#6		486"	454-1/4"	25-1/2"	188	11434	
1	TWR PIER	#6	BENT	156-7/8"	134-3/4"	24"	180	3534	
	TWR PIER	#6		156-1/8"	134-1/2"	23-1/2"	90	1759	
6	WGB PIER	#6	BENT	144-7/8"	134-3/4"	12"	36	653	
	WGB PIER	#6		144-5/8"	134-1/2"	11-1/2"	12	217	
2	TWR PIER	#4	TIE	138-3/8"	42"	 90° HOOKS BOTH ENDS	6	46	
3	TWR PIER	#4		138-3/8"	42"		48	370	
7	WGB PIER	#4		63"	18"		136	477	
			STIRRUP			 135° HOOKS BOTH ENDS			
5	TWR PAD	#6		456"			12	685	
8	WGB PAD	#5	STRAIGHT	48"			72	300	
			STRAIGHT						
			STRAIGHT						
SIZES & WEIGHTS		TOTAL BAR WEIGHT (lbs)						42455	
METRIC	WT. (Kg/M)								
10M	0.785								
15M	1.570								
20M	2.355								
25M	3.925								
30M	5.495								
35M	7.850								

REV.	BY: REV.	BY: CHK.	DESCRIPTION	DATE
A	HM	MA	ISSUE FOR CONSTRUCTION	05 MAY 20


REFERENCE DRAWINGS:

DRAWING NUMBER	DRAWING NUMBER

CONFIDENTIAL: ALL INTELLECTUAL PROPERTY RIGHTS HEREIN ARE THE PROPERTY OF TRYLON INC. ALL DUPLICATION, RECORDING, DISCLOSURE OR USE IS PROHIBITED WITHOUT WRITTEN CONSENT OF TRYLON INC

CUSTOMER: GOV OF BERMUDA

DATE: 05 MAY 20



DRAWING NO.  
**159737.319.0603**

SITE: DEVONSHIRE PARISH

SCALE: 1.00

BY: HM    CHK: MA    APP: ZA

TITLE: REBAR CHART

NOTES: 1) REINFORCING STEEL SHALL BE DEFORMED BARS CONFORMING WITH CSA STANDARD G30.18-M92 GR 400.  
2) REJECT BARS WITH KINKS OR BENDS NOT SHOWN ON THIS DRAWING.

REV.	BY: REV.	BY: CHK.	DESCRIPTION	DATE
A	HM	MA	ISSUE FOR CONSTRUCTION	05 MAY 20

FOUNDATION NOTES:

GENERAL:

- 1) THE CONTRACTOR SHALL FIELD CHECK ALL DIMENSIONS AND DETAILS BEFORE PROCEEDING WITH THE WORK.
- 2) ALL WORKMANSHIP SHALL BE IN ACCORDANCE WITH THE LATEST ISSUE OF ACI STANDARDS.
- 3) FOUNDATIONS DESIGNED IN ACCORDANCE WITH SOILS REPORT:  
COMPANY NAME: BRUNEL ENGINEERING CONSULTANTS  
REPORT NUMBER: 19-103  
REPORT DATED: 27-JAN-2020
- 4) THE TOWER BASE PAD SHALL BE PLACED AGAINST UNDISTURBED SOIL.

CONCRETE:

- 1) CONCRETE CONSTRUCTION SHALL CONFORM TO THE REQUIREMENTS OF STANDARD ACI 318-95.
- 2) CONCRETE SHALL HAVE A MINIMUM COMPRESSIVE STRENGTH AT 28 DAYS OF NOT LESS THAN 4350 PSI [30 MPa].
- 3) CONCRETE SHALL CONTAIN AN AIR ENTRAINING AGENT. TOTAL AIR CONTENT TO BE 5% TO 7%, FOR THE PARTICULAR SIZE OF AGGREGATE BEING USED. THE AIR ENTRAINING AGENT SHALL BE COMPATIBLE WITH THE WATER REDUCING AGENT. AIR ENTRAINED MAY BE OMITTED IF CONCRETE IS NOT EXPOSED TO FREEZING AND THAWING CYCLES.
- 4) THE MAXIMUM SIZE OF COARSE AGGREGATE SHALL BE 3/4".
- 5) THE USE OF CALCIUM CHLORIDE OR ACCELERATING ADMIXTURES IS PROHIBITED.
- 6) SLUMP SHALL BE 3" +/- 1".
- 7) IF THE AIR TEMPERATURE IS 41 DEGREES F OR LESS, THE TEMPERATURE OF THE CONCRETE AT TIME OF PLACING, SHALL BE BETWEEN 59 AND 86 DEGREES F.
- 8) CHAMFER EXPOSED CORNERS OF CONCRETE (APPROX 3/4").
- 9) PROVIDE EFFECTIVE MEANS OF MAINTAINING THE TEMPERATURE OF CONCRETE IN PLACE AT A MINIMUM OF 50 DEGREES C AND A MAXIMUM OF 86 DEGREES F FOR THREE DAYS AFTER PLACING. WHEN THE MEAN DAILY AIR TEMPERATURE IS LESS THAN 41 DEGREES F PROVIDE PROTECTION FOR NEWLY PLACED CONCRETE BY MEANS OF SUITABLE ENCLOSURES OR RAISED COVERINGS, HEAT AND INSULATION.
- 10) ALL GROUT SHALL BE NON-FERROUS AND NON SHRINK WITH A MINIMUM COMPRESSIVE STRENGTH OF 5000 PSI AT 28 DAYS, EDGES GROUT SHALL BE TAPERED OFF AT 45°.
- 11) ALL CONCRETE TO BE TYPE 10 NORMAL PORTLAND CEMENT.

REINFORCEMENT:

- 1) CLEAN REINFORCEMENT OF ANY LOOSE SCALE, DIRT OR OTHER COATINGS WHICH WOULD DESTROY OR REDUCE BONDING. REJECT BARS WITH KINKS OR BENDS NOT SHOWN ON THIS DRAWING.
- 2) ALL REINFORCEMENT SHALL HAVE A MINIMUM OF 3" CONCRETE COVER.
- 3) REINFORCING STEEL SHALL BE DEFORMED BARS CONFORMING WITH ASTM A615 (GRADE 60) (BLACK OR GALVANIZED STEEL)

BACKFILLING:

- 1) BACKFILL SHALL BE PLACED IN THIN LIFTS (MAXIMUM 6") AND COMPACTED TO A MINIMUM OF 95 PERCENT OF STANDARD PROCTOR MAXIMUM DRY DENSITY. IN THE EVENT THAT EXCAVATED MATERIALS ARE NOT SUITABLE FOR BACKFILL, IT SHALL BE THE RESPONSIBILITY OF THE CONTRACTOR TO SUPPLY AND COMPACT SUITABLE CLEAN MATERIAL TO MEET THAT REQUIREMENT.


STANDARDS:

- 1) FOUNDATIONS AND ANCHORS DESIGNED IN ACCORDANCE WITH TIA 222-H.
- 2) CONCRETE WORK IN ACCORDANCE WITH ACI 318-95.
- 3) REINFORCEMENT FOR CONCRETE IN ACCORDANCE WITH ACI 318-95.

REFERENCE DRAWINGS:

DRAWING NUMBER	DRAWING NUMBER

CONFIDENTIAL: ALL INTELLECTUAL PROPERTY RIGHTS HEREIN ARE THE PROPERTY OF TRYLON INC. ALL DUPLICATION, RECORDING, DISCLOSURE OR USE IS PROHIBITED WITHOUT WRITTEN CONSENT OF TRYLON INC



DRAWING NO.  
159737.319.0604

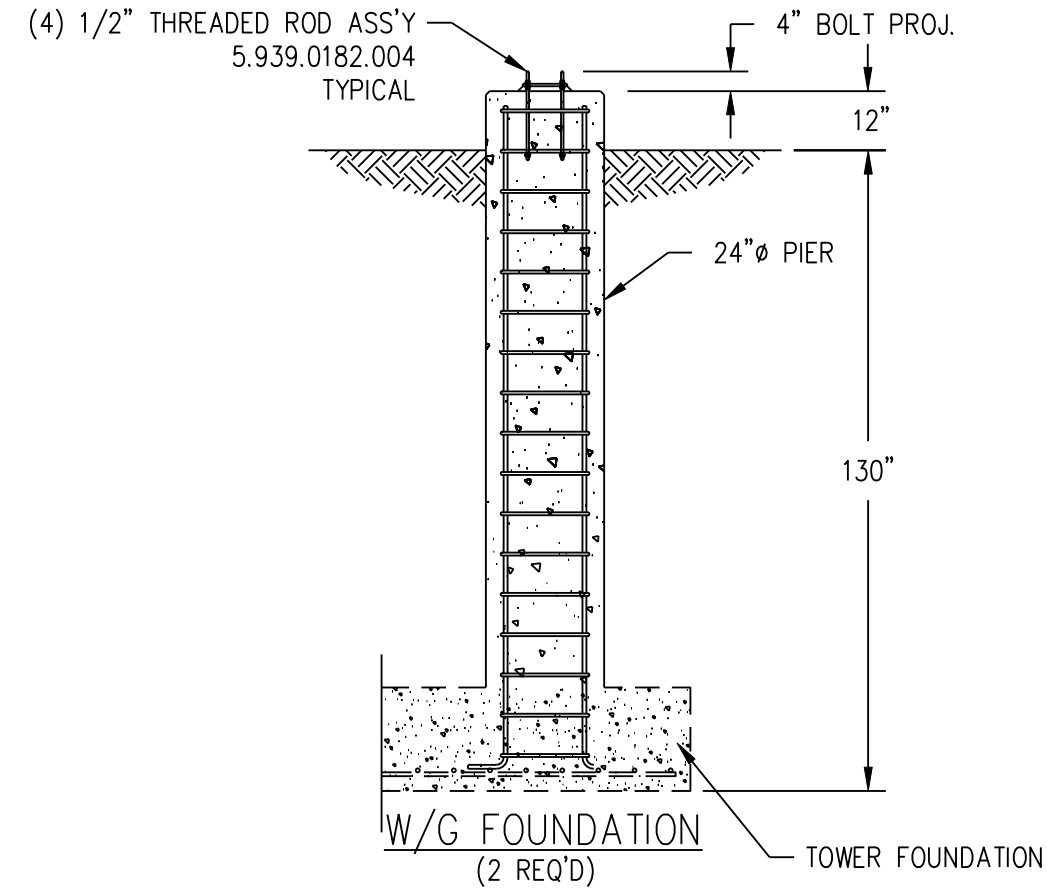
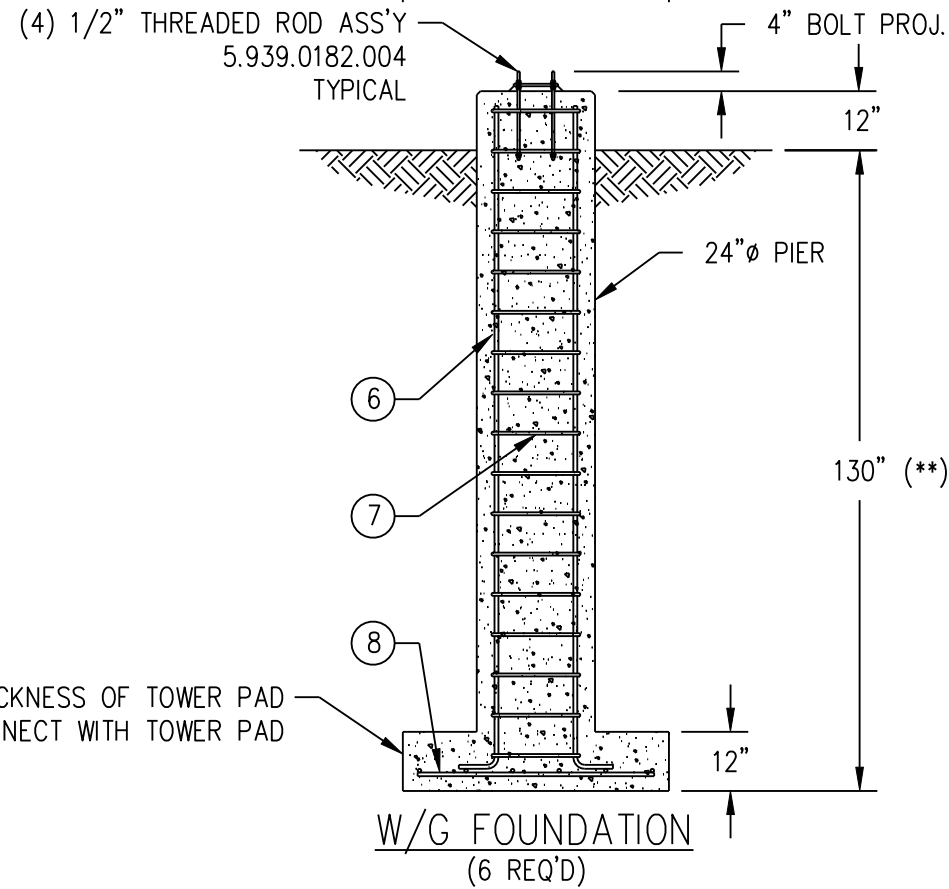
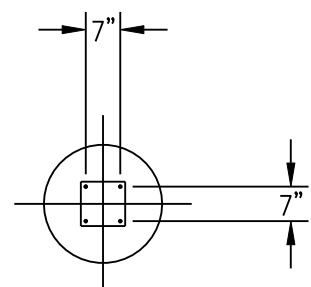
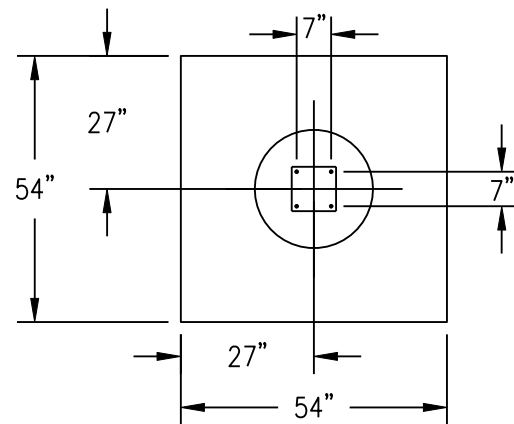
CUSTOMER: GOV OF BERMUDA	SITE: DEVONSHIRE PARISH	SCALE: 1.00
DATE: 05 MAY 20	BY: HM	CHK: MA
		APP: ZA

TITLE:  
FOUNDATION NOTES

NOTES:



REV.	BY: REV.	BY: CHK.	DESCRIPTION	DATE
A	HM	MA	ISSUE FOR CONSTRUCTION	05 MAY 20



REFERENCE DRAWINGS:

DRAWING NUMBER	DRAWING NUMBER
0603	
0604	

PIER DETAILS					PAD DETAILS				
ITEM	QTY	SIZE	TYPE	SPACING	ITEM	QTY	SIZE	TYPE	SPACING
6	6	#6	—	EQUAL	8	6	#5	—	*
7	17	#4	○	EQUAL					


PIER DETAILS					PAD DETAILS				
ITEM	QTY	SIZE	TYPE	SPACING	QTY	SIZE	TYPE	SPACING	
6	6	#6	—	EQUAL					
7	17	#4	○	EQUAL					

- NOTES:
- 1) QUANTITIES LISTED REPRESENTS THE QUANTITY FOR ONE FOUNDATION ONLY.
  - 2) '\*' - 12 BARS REQUIRED IN TOTAL, EQUALLY SPACED EACH WAY, APPROXIMATE SPACING IS 8"
  - 3) REFER TO REBAR DRAWING 159737.319.0603 FOR CUTTING LENGTHS AND FABRICATION DETAILS.

- NOTES:
- 1) QUANTITIES LISTED REPRESENTS THE QUANTITY FOR ONE FOUNDATION ONLY.
  - 2) REFER TO REBAR DRAWING 159737.319.0603 FOR CUTTING LENGTHS AND FABRICATION DETAILS.

- NOTES:
- 1) REFER TO DWG 0604 FOR FOUNDATION NOTES
  - 1) '\*\*' - FOR PIERS AWAY FROM THE EXCAVATION AREA OF TOWER FOUNDATION, THE DEPTH OF W/G FOUNDATION CAN REDUCED TO 60" BELOW GRADE

CONFIDENTIAL: ALL INTELLECTUAL PROPERTY RIGHTS HEREIN ARE THE PROPERTY OF TRYLON INC. ALL DUPLICATION, RECORDING, DISCLOSURE OR USE IS PROHIBITED WITHOUT WRITTEN CONSENT OF TRYLON INC

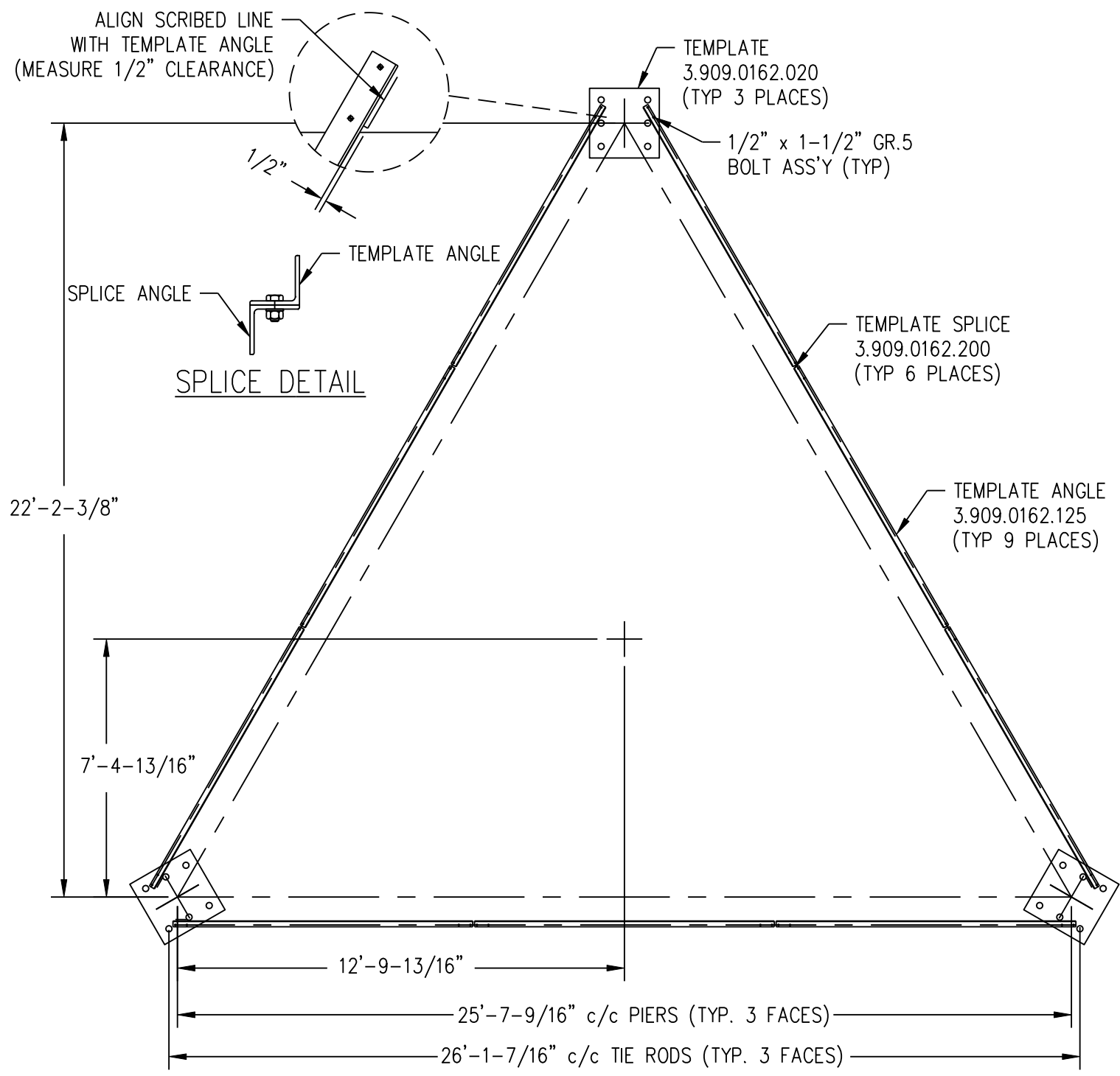


DRAWING NO. 159737.319.0605

CUSTOMER: GOV OF BERMUDA    SITE: DEVONSHIRE PARISH    SCALE: 40.00

DATE: 05 MAY 20    BY: HM    CHK: MA    APP: ZA

TITLE: WGB FOUNDATION




REV.	BY: REV.	BY: CHK.	DESCRIPTION	DATE
A	MA	PS	ISSUE FOR APPROVAL	20 FEB 20
B	HM	MA	ISSUE FOR CONSTRUCTION	05 MAY 20

SECTION: 26' -0"  
 LEG: V 8"x8"x1-1/8"

REFERENCE DRAWINGS:

DRAWING NUMBER	DRAWING NUMBER

CONFIDENTIAL: ALL INTELLECTUAL PROPERTY RIGHTS HEREIN ARE THE PROPERTY OF TRYLON INC. ALL DUPLICATION, RECORDING, DISCLOSURE OR USE IS PROHIBITED WITHOUT WRITTEN CONSENT OF TRYLON INC.



DRAWING NO. 159737.319.0901  
 CUSTOMER: GOV OF BERMUDA    SITE: DEVONSHIRE PARISH    SCALE: 50.000  
 DATE: 20 FEB 20    BY: MA    CHK: PS    APP: ZA  
 TITLE: TEMPLATE ASSEMBLY

NOTES: 1) FOUNDATION CONTRACTOR TO VERIFY ALL DIMENSIONS PRIOR TO POURING CONCRETE.

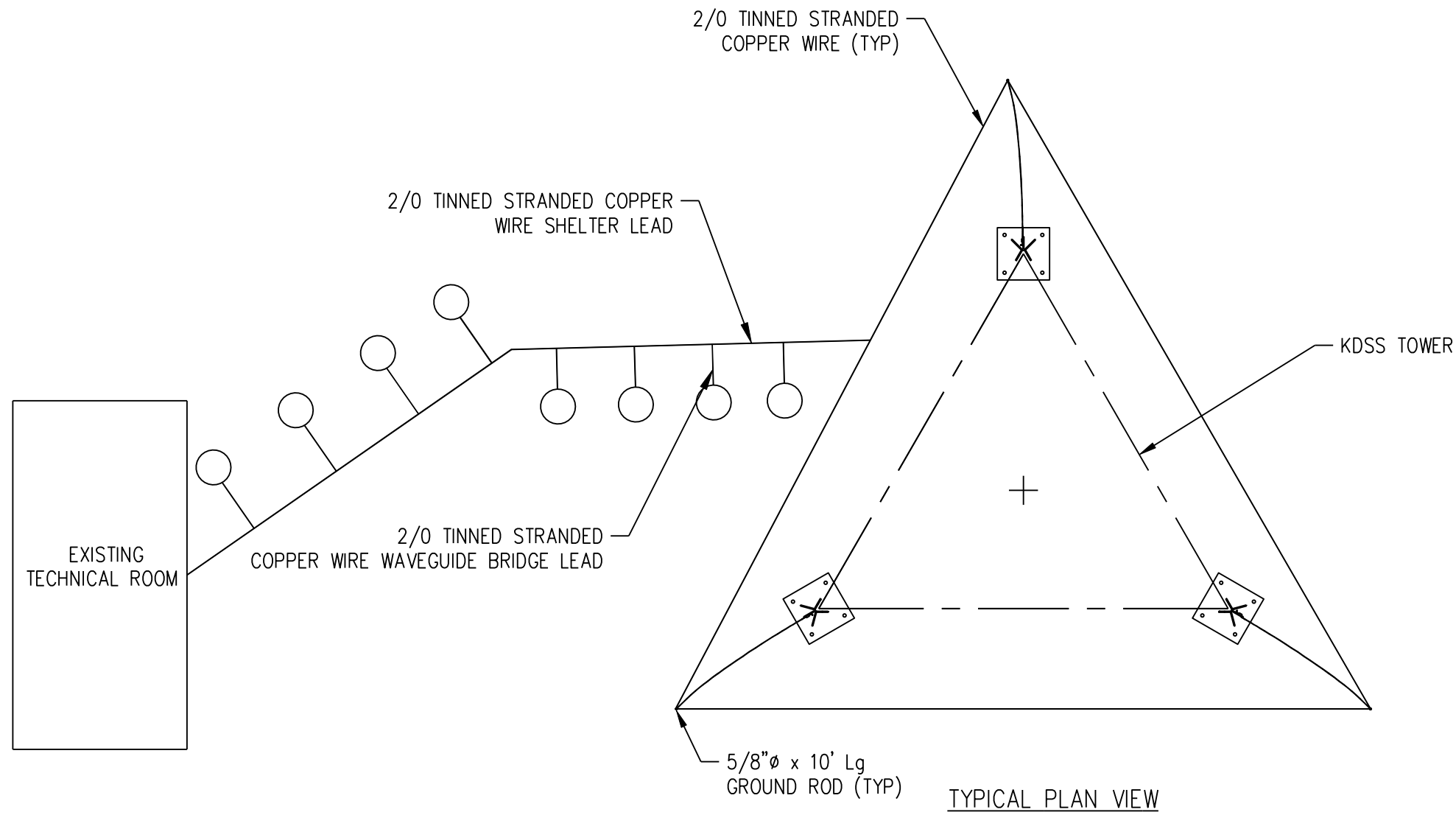


REV.	BY: REV.	BY: CHK.	DESCRIPTION	DATE
A	MA	PS	ISSUE FOR APPROVAL	20 FEB 20
B	HM	MA	ISSUE FOR CONSTRUCTION	5 MAY 20
C	ON	MP	REVISED ACCORDING CLIENT COMMENTS	14 MAY 20

ALL GROUNDING WIRES INCLUDED IN GROUNDING KITS.


REFERENCE DRAWINGS:

DRAWING NUMBER	DRAWING NUMBER
1202	
1203	
1204	
1205	
1206	
1207	



TYPICAL PLAN VIEW

CONFIDENTIAL: ALL INTELLECTUAL PROPERTY RIGHTS HEREIN ARE THE PROPERTY OF TRYLON INC. ALL DUPLICATION, RECORDING, DISCLOSURE OR USE IS PROHIBITED WITHOUT WRITTEN CONSENT OF TRYLON INC.



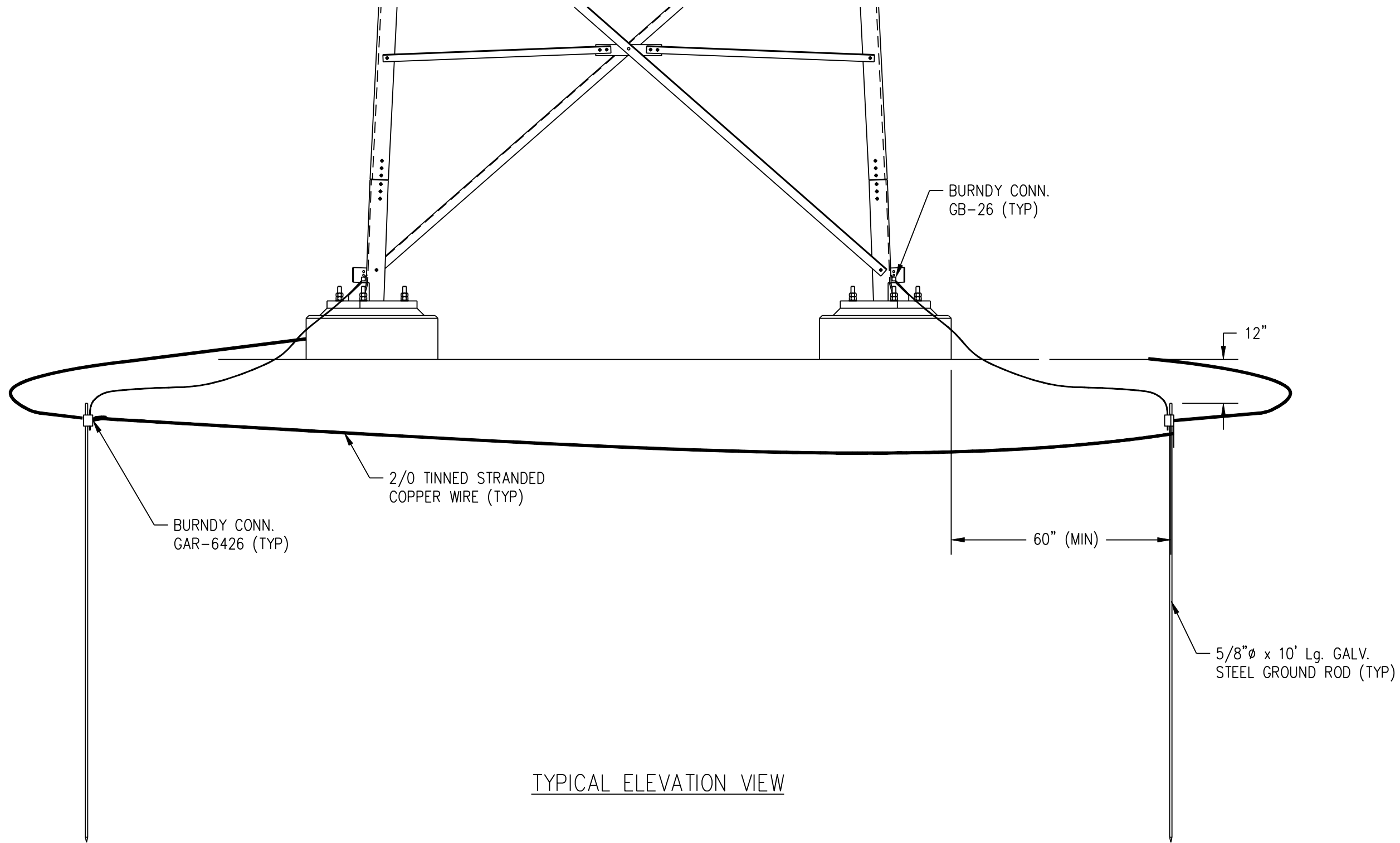
DRAWING NO. 159737.319.1201

CUSTOMER: GOV OF BERMUDA    SITE: DEVONSHIRE PARISH    SCALE: 25.000

DATE: 20 FEB 20    BY: MA    CHK: PS    APP: ZA

TITLE: GROUNDING DETAILS

- NOTES:
- 1) REFER TO DWG 1202 FOR TOWER ELEVATION VIEW
  - 2) INSTALL COPPER BUSS BAR AT TOWER BASE. REFER TO DWG 1207 FOR DETAILS.
  - 3) REFER TO DWG 1203 FOR GENERAL GROUNDING DETAILS.
  - 4) REFER TO DWG 1205 FOR GROUNDING NOTES.




TYPICAL ELEVATION VIEW

REV.	BY: REV.	BY: CHK.	DESCRIPTION	DATE
A	MA	PS	ISSUE FOR APPROVAL	20 FEB 20
B	HM	MA	ISSUE FOR CONSTRUCTION	05 MAY 20

REFERENCE DRAWINGS:

DRAWING NUMBER	DRAWING NUMBER

CONFIDENTIAL: ALL INTELLECTUAL PROPERTY RIGHTS HEREIN ARE THE PROPERTY OF TRYLON INC. ALL DUPLICATION, RECORDING, DISCLOSURE OR USE IS PROHIBITED WITHOUT WRITTEN CONSENT OF TRYLON INC



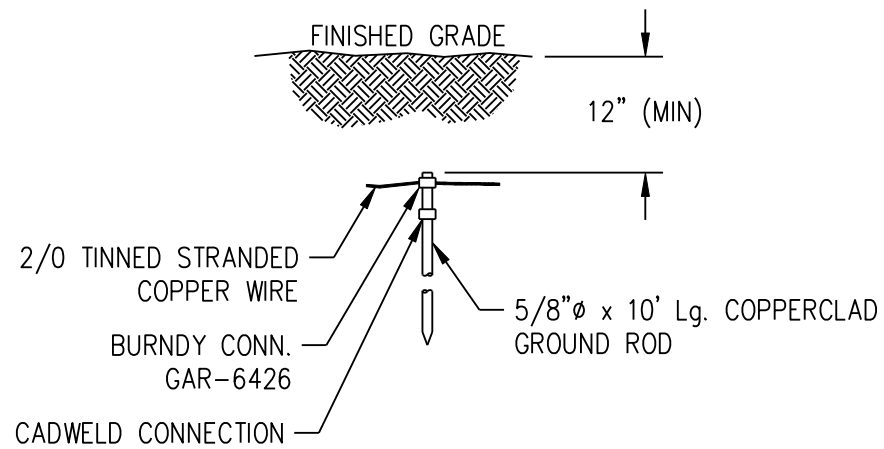
DRAWING NO.  
159737.319.1202

CUSTOMER: GOV OF BERMUDA    SITE: DEVONSHIRE PARISH    SCALE: 30.000

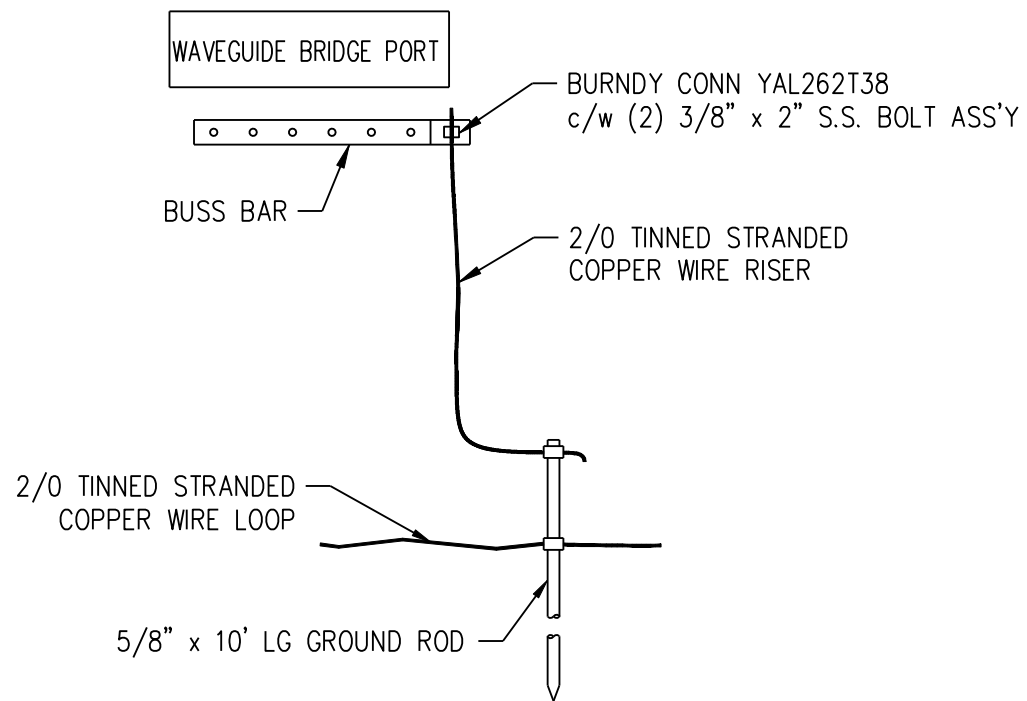
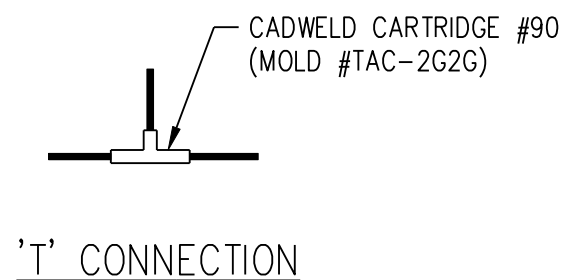
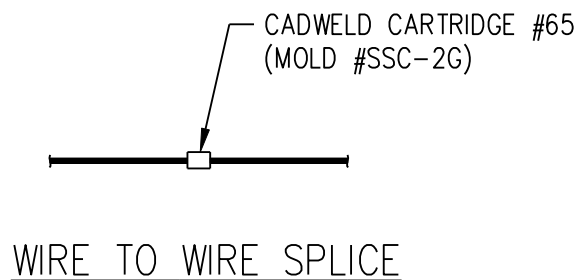
DATE: 20 FEB 20    BY: MA    CHK: PS    APP: ZA

TITLE:  
GROUNDING DETAILS

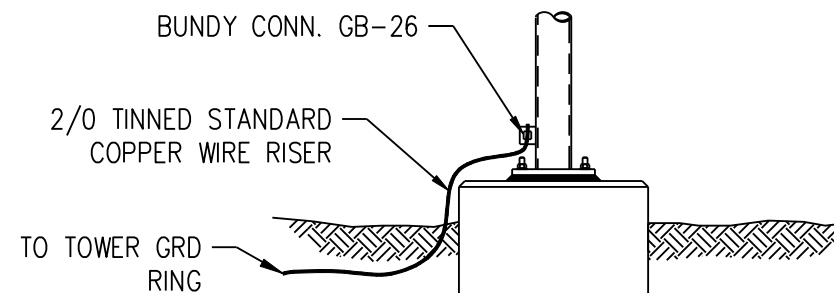
NOTES:



GROUND ROD DETAIL



WAVEGUIDE BRIDGE GROUNDING @ PORT




TYPICAL WAVEGUIDE BRIDGE POST

REV.	BY: REV.	BY: CHK.	DESCRIPTION	DATE
A	MA	PS	ISSUE FOR APPROVAL	20 FEB 20
B	HM	MA	ISSUE FOR CONSTRUCTION	05 MAY 20
C	ON	MP	REVISED ACCORDING CLIENTS COMMENTS	15 MAY 20

REFERENCE DRAWINGS:

DRAWING NUMBER	DRAWING NUMBER

CONFIDENTIAL: ALL INTELLECTUAL PROPERTY RIGHTS HEREIN ARE THE PROPERTY OF TRYLON INC. ALL DUPLICATION, RECORDING, DISCLOSURE OR USE IS PROHIBITED WITHOUT WRITTEN CONSENT OF TRYLON INC



DRAWING NO. 159737.319.1203

NOTES:

CUSTOMER: GOV OF BERMUDA	SITE: DEVONSHIRE PARISH	SCALE: 30.000
DATE: 20 FEB 20	BY: MA	CHK: PS
APP: ZA		
TITLE: GROUNDING DETAILS		

REV.	BY: REV.	BY: CHK.	DESCRIPTION	DATE
A	MA	PS	ISSUE FOR APPROVAL	20 FEB 20
B	HM	MA	ISSUE FOR CONSTRUCTION	05 MAY 20

	LOCATION	FORMULA	LENGTH OF WIRE
			2/0 TINNED COPPER
BELOW GRADE	TOWER LOOP	$(FACE\ WIDTH \times 3) + (((PIER\ DIA. + 10') \times 3.1415)$	218'
BELOW GRADE	TOWER LOOP TO SHELTER LOOP	$(DISTANCE + 10') \times N.\ OF\ LOCATIONS$	65'
BELOW GRADE	TOWER LEAD	15' x No. OF LOCATIONS	45'
BELOW GRADE	WGB LEAD	15' x No. OF LOCATIONS	120'
SUB TOTAL			448'
GRAND TOTAL (ADD 5% TO SUB TOTAL)			470' [143.4M]

REFERENCE DRAWINGS:

DRAWING NUMBER	DRAWING NUMBER

CONFIDENTIAL: ALL INTELLECTUAL PROPERTY RIGHTS HEREIN ARE THE PROPERTY OF TRYLON INC. ALL DUPLICATION, RECORDING, DISCLOSURE OR USE IS PROHIBITED WITHOUT WRITTEN CONSENT OF TRYLON INC



DRAWING NO.  
159737.319.1204

CUSTOMER: GOV OF BERMUDA      SITE: DEVONSHIRE PARISH      SCALE: 1.000

DATE: 20 FEB 20      BY: MA      CHK: PS      APP: ZA

TITLE:  
GROUND WIRE CUTTING CHART

NOTES:

REV.	BY: REV.	BY: CHK.	DESCRIPTION	DATE
A	MA	PS	ISSUE FOR APPROVAL	20 FEB 20
B	HM	MA	ISSUE FOR CONSTRUCTION	05 MAY 20

NOTES:

- 1) ALL GROUND WIRE TO BE 2/0 TINNED STRANDED COPPER WIRE.
- 2) ALL GROUND RODS ARE TO BE PLACED A MINIMUM OF 5'-0" AND MAXIMUM OF 7'-0" FROM THE TOWER BASE.
- 3) ALL GROUND RODS TO BE 5/8"Ø x 10'-0" Lg. GALVANIZED STEEL.
- 4) GROUND WIRE TO BE BURIED 1'-0" BELOW GROUND SURFACE.
- 5) ALL GROUNDING CONNECTIONS ARE TO BE CLEAN AND FREE OF PAINT AT THEIR MATING SURFACES.
- 6) GROUNDING WIRES MUST ALWAYS BE CONTINUOUS AND TRAVEL IN A "DOWNWARD" DIRECTION FREE FROM SHARP BENDS OR SUDDEN CHANGES IN DIRECTIONS.
- 7) IDEAL SITE GROUNDING SYSTEM RESISTANCE = 5 OHMS (MAXIMUM OF 50 OHMS).

REFERENCE DRAWINGS:

DRAWING NUMBER	DRAWING NUMBER

CONFIDENTIAL: ALL INTELLECTUAL PROPERTY RIGHTS HEREIN ARE THE PROPERTY OF TRYLON INC. ALL DUPLICATION, RECORDING, DISCLOSURE OR USE IS PROHIBITED WITHOUT WRITTEN CONSENT OF TRYLON INC



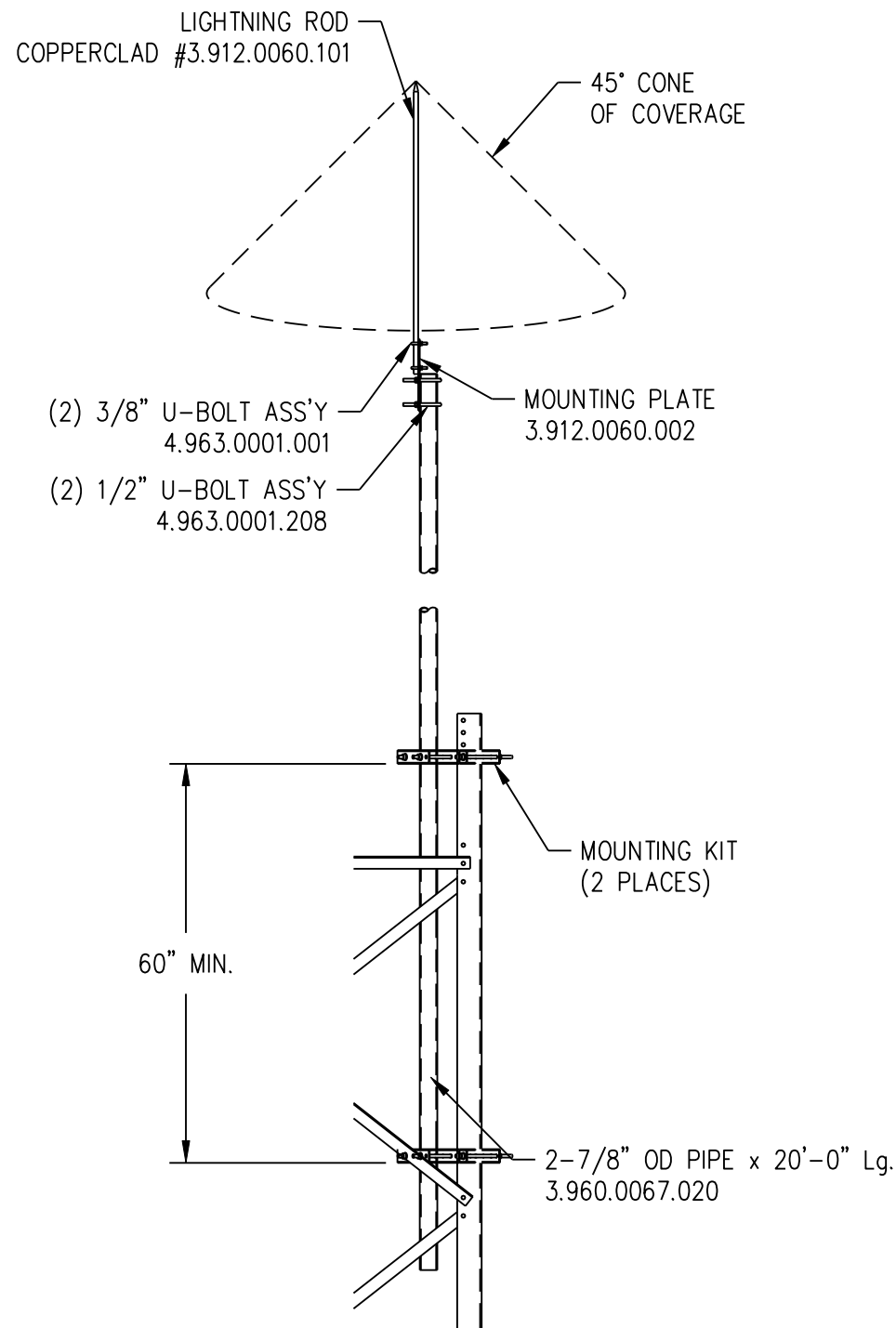
DRAWING NO.  
159737.319.1205

CUSTOMER: GOV OF BERMUDA	SITE: DEVONSHIRE PARISH	SCALE: 1.000
-----------------------------	----------------------------	-----------------

DATE: 20 FEB 20	BY: MA	CHK: PS	APP: ZA
--------------------	-----------	------------	------------

TITLE:  
GROUNDING NOTES

NOTES:

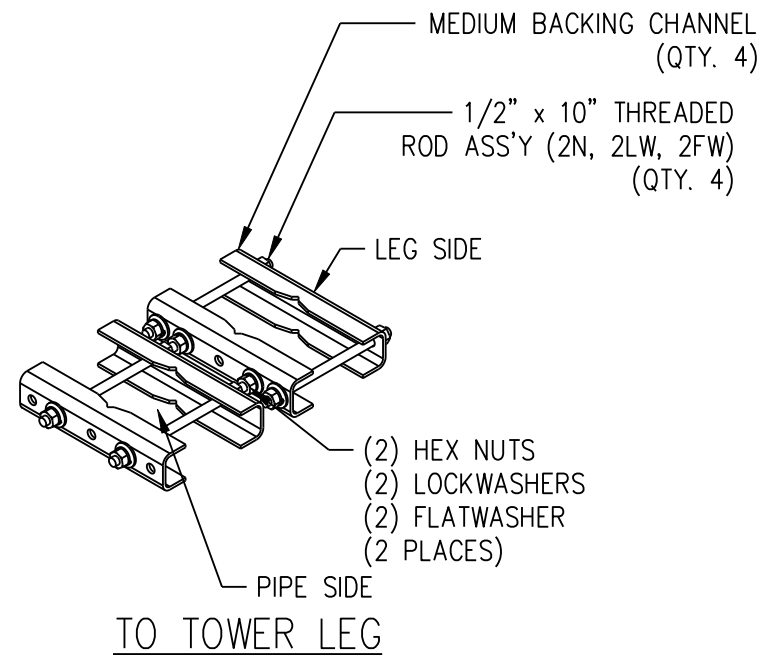


**LIGHTNING ROD DETAIL**

(MOUNTING TO TOWER LEG)  
 KIT WILL MOUNT TO 60° ANGLE LEGS TO V6"  
 AND 90° ANGLE LEGS TO 5"  
 AND ROUND LEGS UP TO 5" OD  
 (ANGLE LEG SHOWN)

NOTES:

**MOUNTING KIT**



**UNIVERSAL CROSSOVER ASS'Y (5.960.0005.003)**

- (1) 3.930.0005.002 LG ADJ PIPE-PIPE PLATE
- (4) 3.963.0209.001 MEDIUM BACKING CHANNEL
- (4) 4.963.0019.210 1/2" x 10" THD ROD ASSY
- (4) 1201346 1/2" x 2" GR.5 BOLT
- (4) 1201120 1/2" GR.5 HEX NUT
- (4) 1201121 1/2" GR.5 LOCKWASHER
- (4) 1201122 1/2" GR.5 FLATWASHER

NOTE: FOR MOUNTING TO PINWHEEL BOOMS, THE COMPLETE MOUNTING KIT WILL BE REQUIRED.

FOR MOUNTING TO TOWER LEG, THE FOLLOWING ITEMS FROM THE KIT ABOVE WILL NOT BE REQUIRED.

- (1) 3.930.0005.002 LG ADJ PIPE-PIPE PLATE
- (4) 1201346 1/2" x 2" GR.5 BOLT


KIT NUMBER	LIGHTNING ROD
4.912.1012.001	COPPERCLAD

REV.	BY: REV.	BY: CHK.	DESCRIPTION	DATE
A	MA	PS	ISSUE FOR APPROVAL	20 FEB 20
B	ON	MP	ISSUE FOR CONSTRUCTION	14 MAY 20

REFERENCE DRAWINGS:

DRAWING NUMBER	DRAWING NUMBER

CONFIDENTIAL: ALL INTELLECTUAL PROPERTY RIGHTS HEREIN ARE THE PROPERTY OF TRYLON INC. ALL DUPLICATION, RECORDING, DISCLOSURE OR USE IS PROHIBITED WITHOUT WRITTEN CONSENT OF TYLON INC.

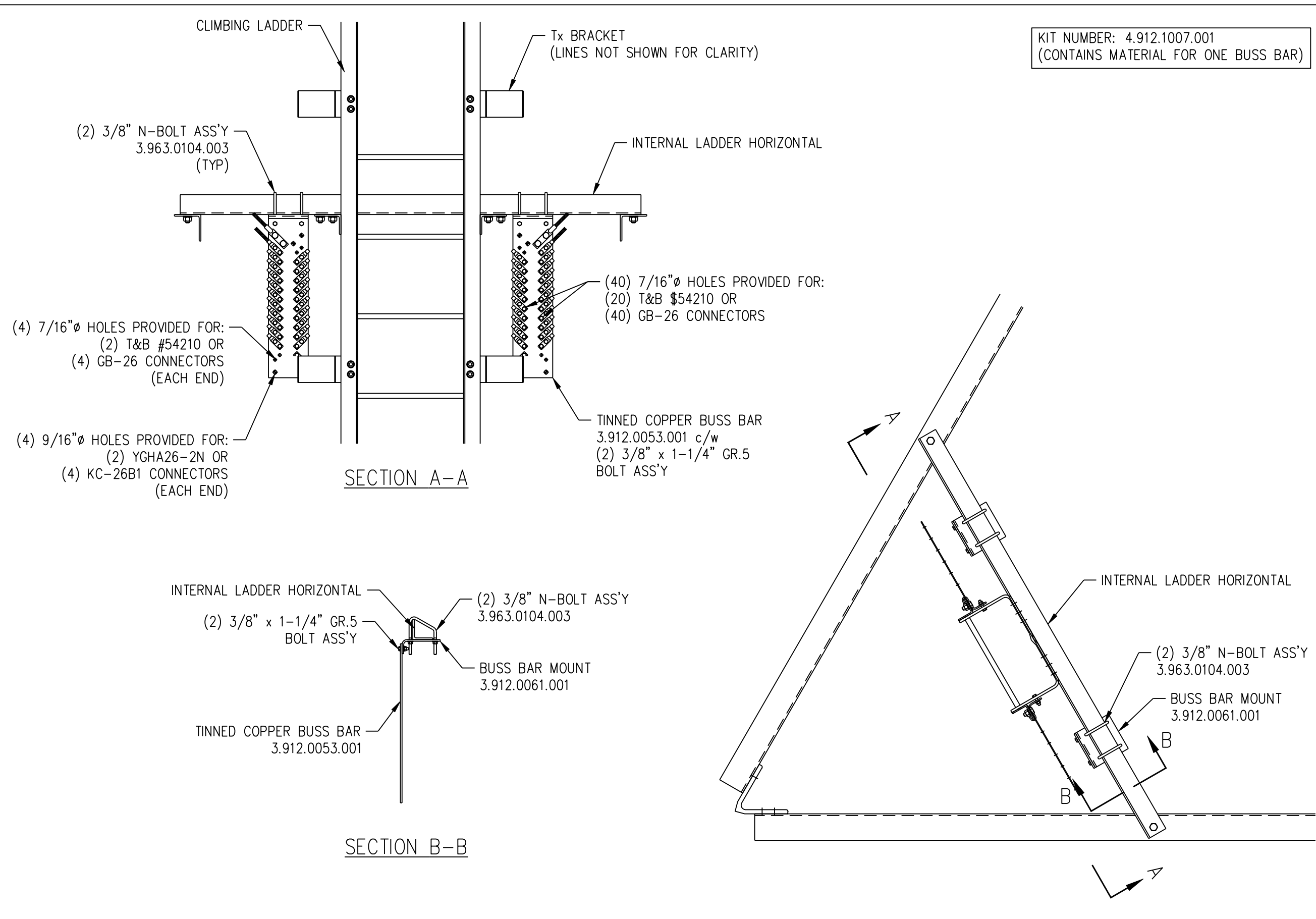


DRAWING NO. 159737.319.1206

CUSTOMER: GOV OF BERMUDA SITE: DEVONSHIRE PARISH SCALE: 30.000

DATE: 20 FEB 20 BY: MA CHK: PS APP: ZA

TITLE: UNIVERSAL LIGHTNING ROD KIT




REV.	BY: REV.	BY: CHK.	DESCRIPTION	DATE
A	MA	PS	ISSUE FOR APPROVAL	20 FEB 20
B	ON	MP	ISSUE FOR CONSTRUCTION	14 MAY 20

REFERENCE DRAWINGS:

DRAWING NUMBER	DRAWING NUMBER

CONFIDENTIAL: ALL INTELLECTUAL PROPERTY RIGHTS HEREIN ARE THE PROPERTY OF TRYLON INC. ALL DUPLICATION, RECORDING, DISCLOSURE OR USE IS PROHIBITED WITHOUT WRITTEN CONSENT OF TYLON INC.



DRAWING NO.  
159737.319.1207

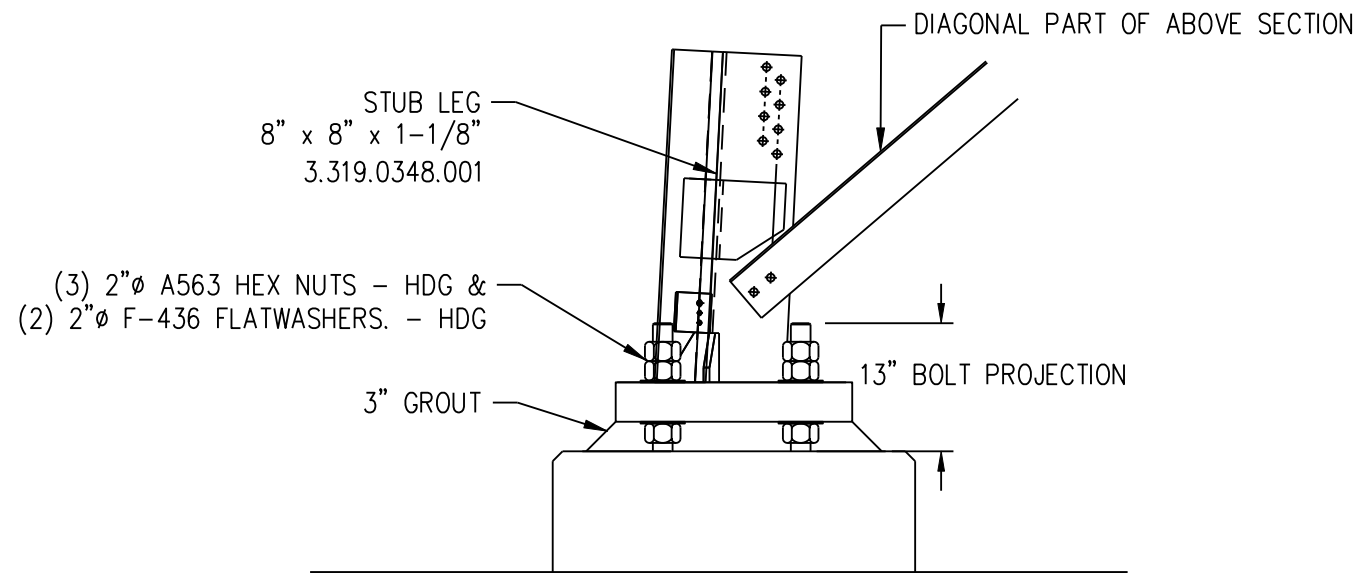
CUSTOMER: GOV OF BERMUDA    SITE: DEVONSHIRE PARISH    SCALE: 15.000

DATE: 20 FEB 20    BY: MA    CHK: PS    APP: ZA

TITLE:  
BUSS BAR INSTALLATION


NOTES:

REV.	BY: REV.	BY: CHK.	DESCRIPTION	DATE
A	MA	PS	ISSUE FOR APPROVAL	20 FEB 20
B	ON	MP	ISSUE FOR CONSTRUCTION	14 MAY 20



REFERENCE DRAWINGS:	
DRAWING NUMBER	DRAWING NUMBER

CONFIDENTIAL: ALL INTELLECTUAL PROPERTY RIGHTS HEREIN ARE THE PROPERTY OF TRYLON INC. ALL DUPLICATION, RECORDING, DISCLOSURE OR USE IS PROHIBITED WITHOUT WRITTEN CONSENT OF TYLON INC.



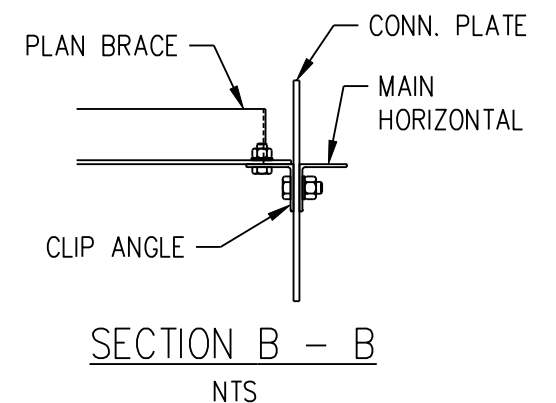
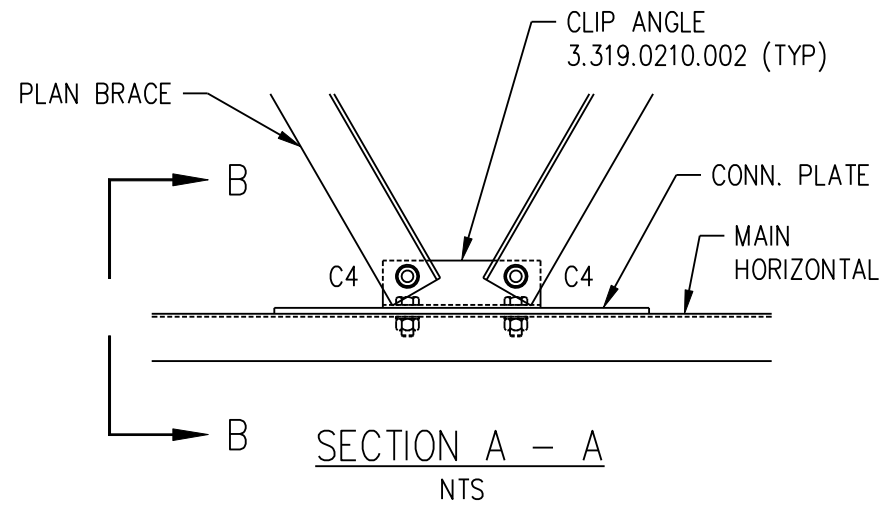
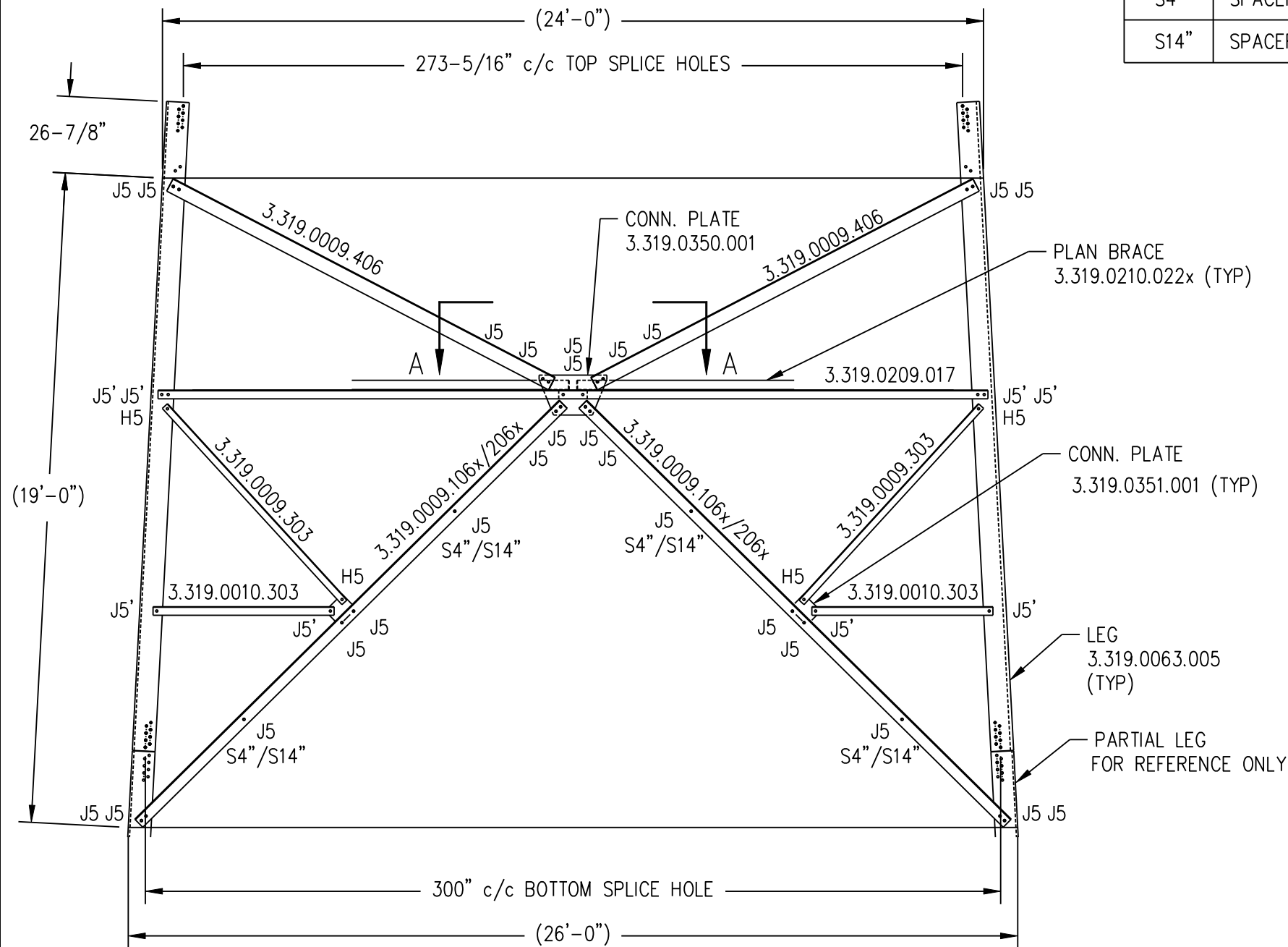
DRAWING NO.  
159737.319.1501

CUSTOMER: GOV OF BERMUDA	SITE: DEVONSHIRE PARISH	SCALE: 20.000
DATE: 20 FEB 20	BY: MA	CHK: PS
APP: ZA		TITLE: STUB LEG ASSEMBLY

NOTES:



BOLT SCHEDULE		
MARK	SIZE	QTY
C4	5/8" x 1-1/2" A325	6
H5	3/4" x 2-3/4" A325	12
J5	3/4" x 3" A325	80
J5'	3/4" x 3" A325 + FLATWASHER	24
K5	3/4" x 3-1/4" A325	6
S4"	SPACER 1/4" x 2" x 2" cw 13/16" Ø HOLE	12
S14"	SPACER 7/8" x 2" x 2" cw 13/16" Ø HOLE	12




REV.	BY: REV.	BY: CHK.	DESCRIPTION	DATE
A	MA	PS	ISSUE FOR APPROVAL	20 FEB 20
B	ON	MP	ISSUE FOR CONSTRUCTION	28 MAY 20

LEG: V 8"x8"x1-1/8"  
 MAIN HORIZ: L 3x3"x1/4"  
 SUB HORIZ: L 3"x3"x1/4"  
 TOP DIAG: L 5"x5"x3/8"  
 BOTTOM DIAG: L 4"x4"x5/16" B/B  
 SUB DIAG: L 3"x3"x3/16"  
 PLAN BRACE: L 3-1/2"x3-1/2"x1/4"

REFERENCE DRAWINGS:	
DRAWING NUMBER	DRAWING NUMBER
7201	

CONFIDENTIAL: ALL INTELLECTUAL PROPERTY RIGHTS HEREIN ARE THE PROPERTY OF TRYLON INC. ALL DUPLICATION, RECORDING, DISCLOSURE OR USE IS PROHIBITED WITHOUT WRITTEN CONSENT OF TYLON INC.

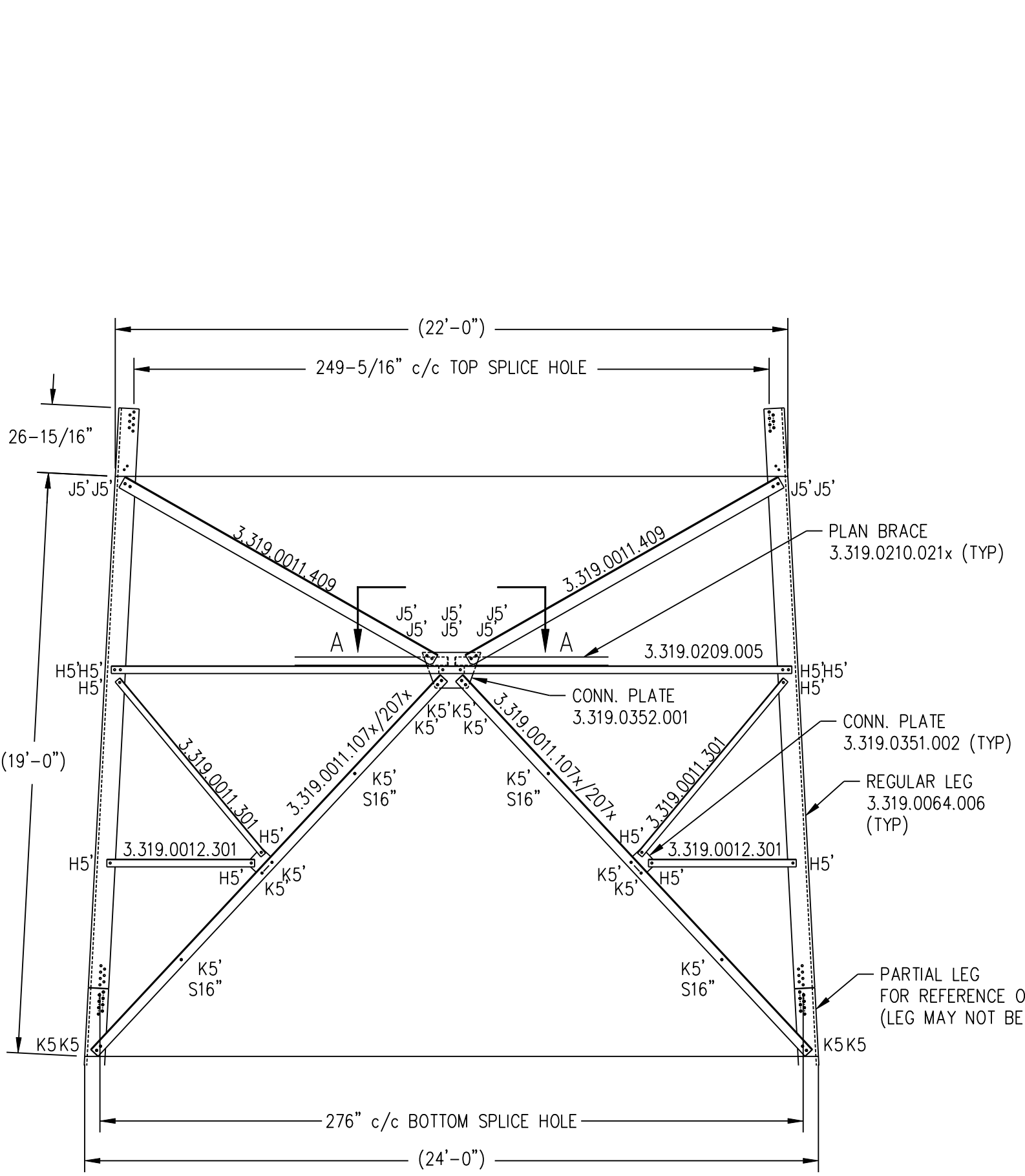


DRAWING NO. 159737.319.1502

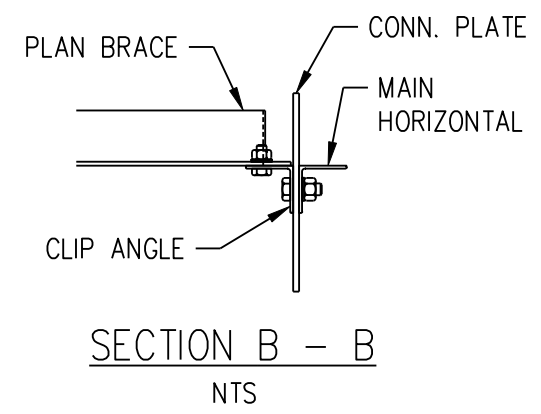
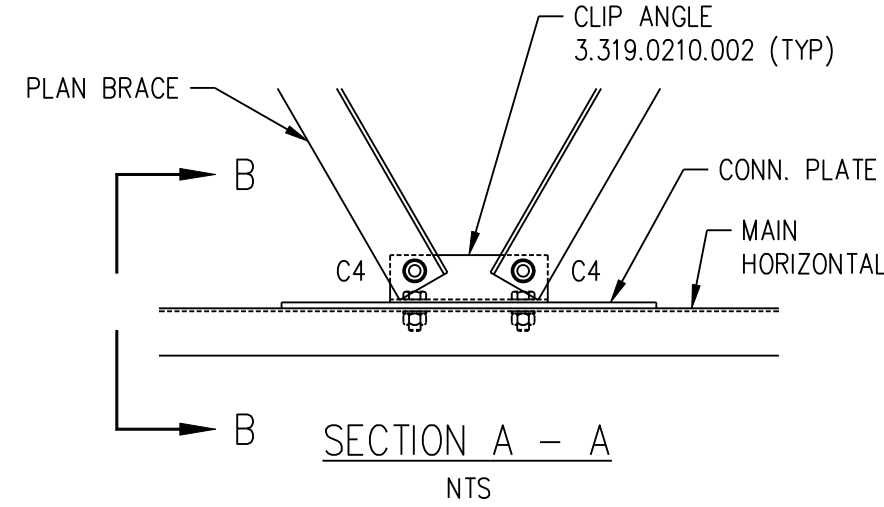
CUSTOMER: GOV OF BERMUDA	SITE: DEVONSHIRE PARISH	SCALE: 50.000
DATE: 20 FEB 20	BY: MA	CHK: PS
		APP: ZA

TITLE: SECTION ASS'Y (0.0m-5.8m)

NOTES: 1) REFER TO DWG 7201 FOR GENERAL ASSEMBLY NOTES.



BOLT SCHEDULE		
MARK	SIZE	QTY
C4	5/8" x 1-1/2" A325	6
H5'	3/4" x 2-3/4" A325 + FLATWASHER	36
J5'	3/4" x 3" A325 + FLATWASHER	30
K5	3/4" x 3-1/4" A325	12
K5'	3/4" x 3-1/4" A325 + FLATWASHER	36
S16"	SPACER 1" x 2" x 2" cw 13/16" Ø HOLE	12




REV.	BY: REV.	BY: CHK.	DESCRIPTION	DATE
A	MA	PS	ISSUE FOR APPROVAL	20 FEB 20
B	ON	MP	ISSUE FOR CONSTRUCTION	28 MAY 20

LEG: V 8"x8"x1"  
 MAIN HORIZ: L 3"x3"x3/16"  
 SUB HORIZ: L 2-1/2"x2-1/2"x3/16"  
 TOP DIAG: L 5"x5"x3/8"  
 BOTTOM DIAG: L 4"x4"x5/16" B/B  
 SUB DIAG: L 2-1/2"x2-1/2"x3/16"  
 PLAN BRACE: L 3"x3"x3/16"

REFERENCE DRAWINGS:	
DRAWING NUMBER	DRAWING NUMBER
7201	

CONFIDENTIAL: ALL INTELLECTUAL PROPERTY RIGHTS HEREIN ARE THE PROPERTY OF TRYLON INC. ALL DUPLICATION, RECORDING, DISCLOSURE OR USE IS PROHIBITED WITHOUT WRITTEN CONSENT OF TYLON INC.

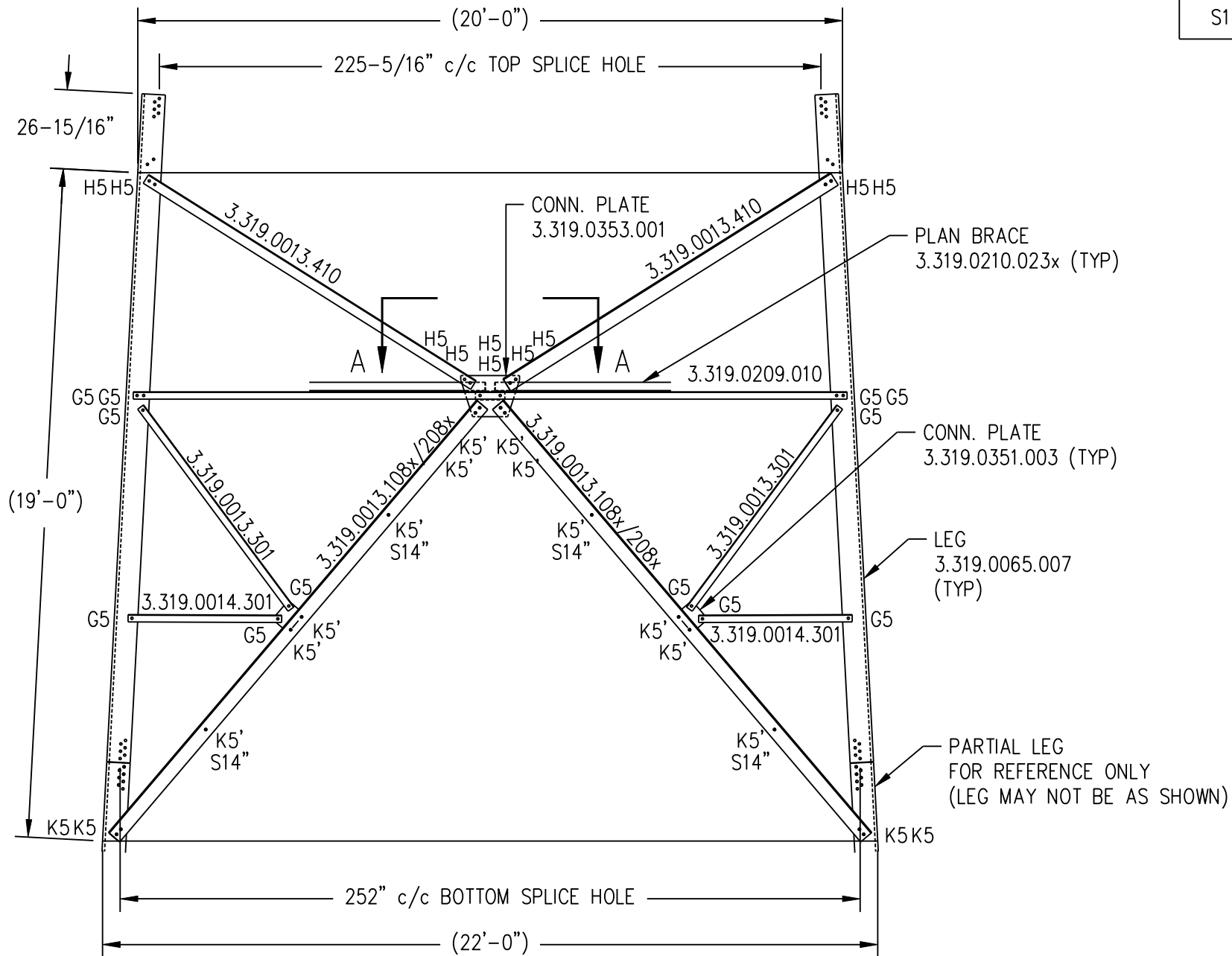


DRAWING NO. 159737.319.1503

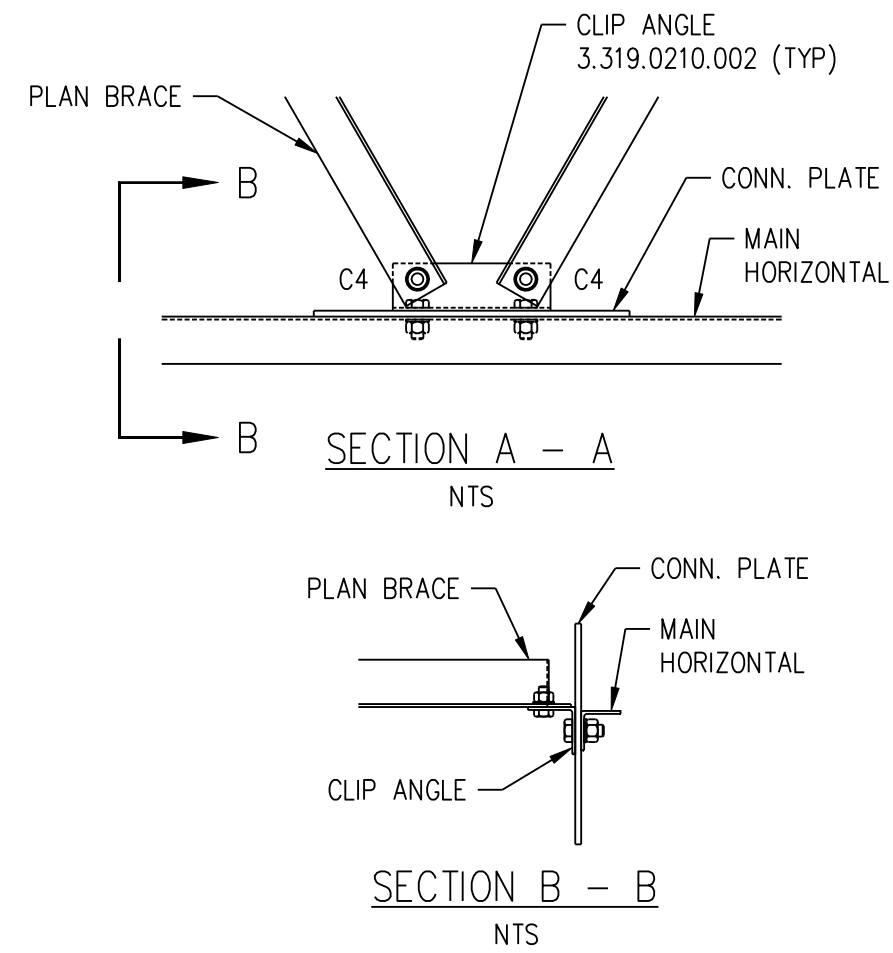
CUSTOMER: GOV OF BERMUDA	SITE: DEVONSHIRE PARISH	SCALE: 50.000
DATE: 20 FEB 20	BY: MA	CHK: PS
		APP: ZA

TITLE: SECTION ASS'Y (5.8m-11.6m)

NOTES: 1) REFER TO DWG 7201 FOR GENERAL ASSEMBLY NOTES.



BOLT SCHEDULE		
MARK	SIZE	QTY
C4	5/8" x 1-1/2" A325	6
G5	3/4" x 2-1/2" A325	36
H5	3/4" x 2-3/4" A325	30
J5	3/4" x 3" A325	24
K5'	3/4" x 3-1/4" A325 + FLATWASHER	24
K5	3/4" x 3-1/4" A325	12
S14"	SPACER 7/8" x 2" x 2" cw 13/16" Ø HOLE	12




REV.	BY: REV.	BY: CHK.	DESCRIPTION	DATE
A	MA	PS	ISSUE FOR APPROVAL	20 FEB 20
B	ON	MP	ISSUE FOR CONSTRUCTION	28 MAY 20

LEG: V 8"x8"x7/8"  
 MAIN HORIZ: L 2-1/2"x2-1/2"x3/16"  
 SUB HORIZ: L 2-1/2"x2-1/2"x3/16"  
 TOP DIAG: L 5"x5"x3/8"  
 BOTTOM DIAG: L 5"x5"x3/8" B/B  
 SUB DIAG: L 2-1/2"x2-1/2"x3/16"  
 PLAN BRACE: L 3"x3"x3/16"

REFERENCE DRAWINGS:	
DRAWING NUMBER	DRAWING NUMBER
7201	

CONFIDENTIAL: ALL INTELLECTUAL PROPERTY RIGHTS HEREIN ARE THE PROPERTY OF TRYLON INC. ALL DUPLICATION, RECORDING, DISCLOSURE OR USE IS PROHIBITED WITHOUT WRITTEN CONSENT OF TYLON INC.



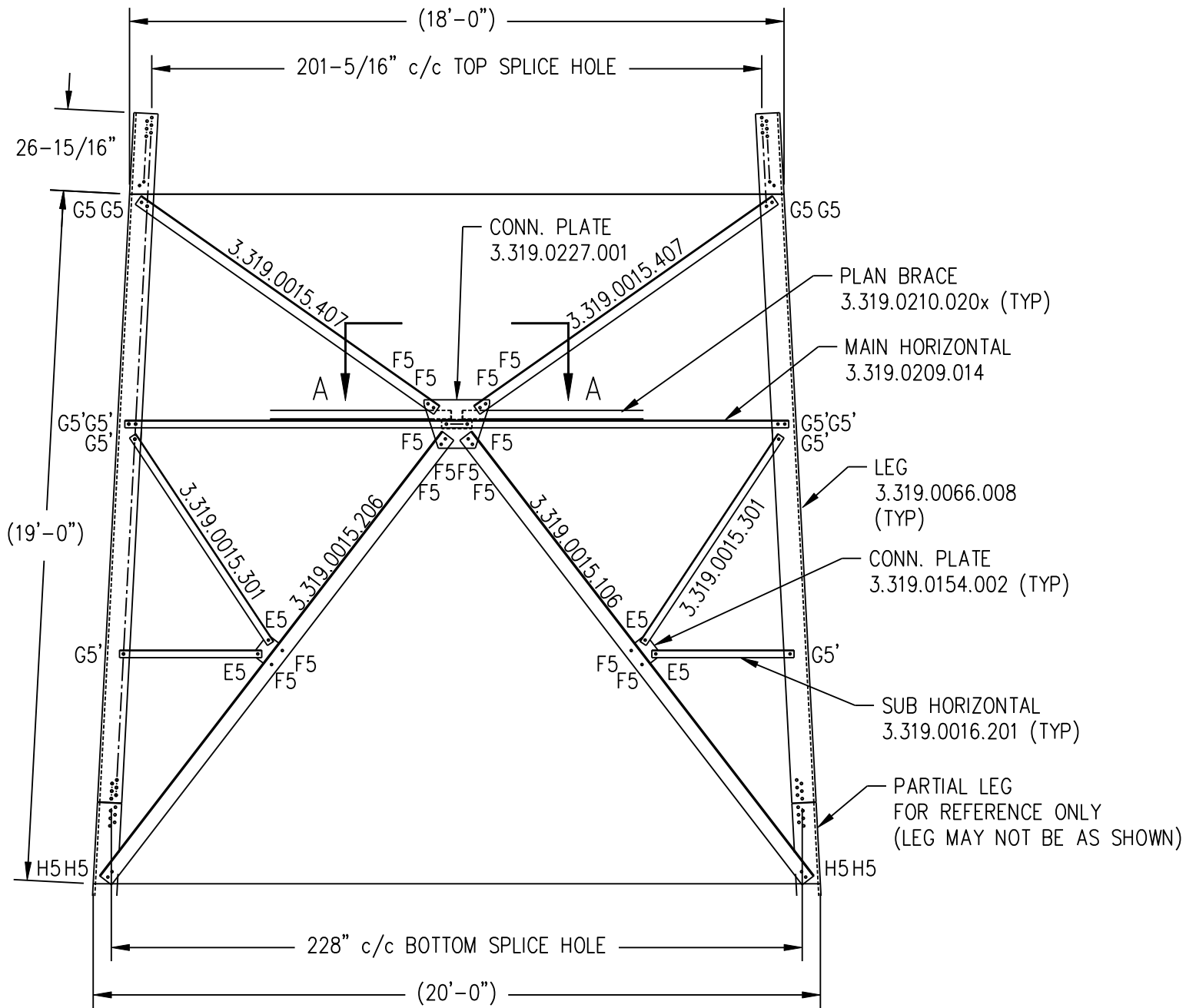
DRAWING NO. 159737.319.1504

CUSTOMER: GOV OF BERMUDA SITE: DEVONSHIRE PARISH SCALE: 50.000

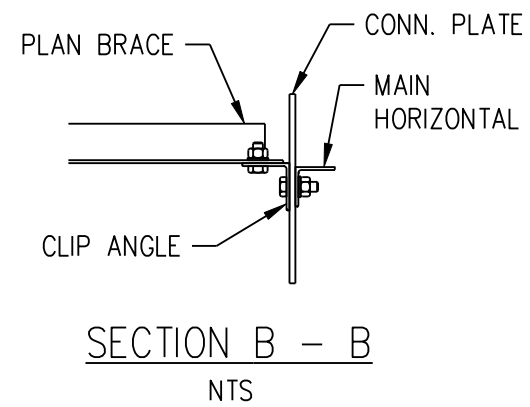
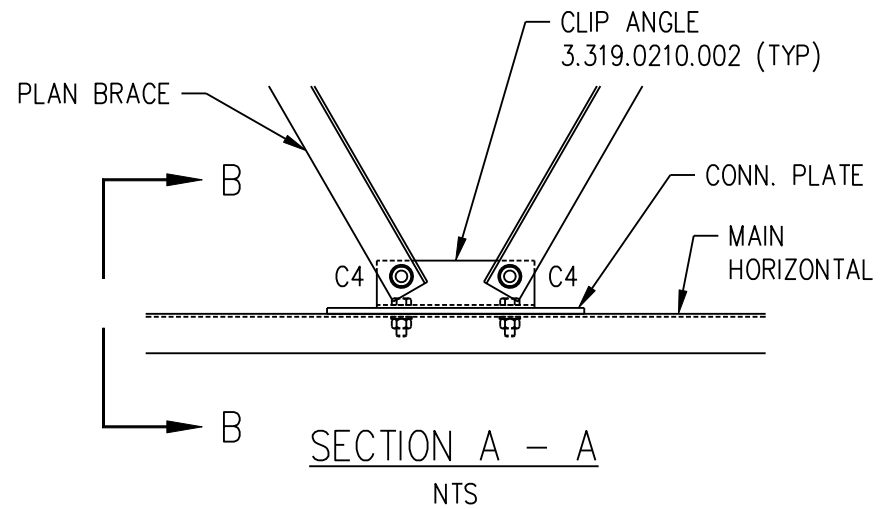
DATE: 20 FEB 20 BY: MA CHK: PS APP: ZA

TITLE: SECTION ASS'Y (11.6m-17.4m)

NOTES: 1) REFER TO DWG 7201 FOR GENERAL ASSEMBLY NOTES.



BOLT SCHEDULE		
MARK	SIZE	QTY
C4	5/8" x 1-1/2" A325	6
E5	3/4" x 2" A325	12
F5	3/4" x 2-1/4" A325	42
G5	3/4" x 2-1/2" A325	12
G5'	3/4" x 2-1/2" A325 + FLATWASHER	24
H5	3/4" x 2-3/4" A325	12




REV.	BY: REV.	BY: CHK.	DESCRIPTION	DATE
A	MA	PS	ISSUE FOR APPROVAL	20 FEB 20
B	ON	MP	ISSUE FOR CONSTRUCTION	14 MAY 20

LEG: V 8"x8"x3/4"  
 MAIN HORIZ: L 2-1/2"x2-1/2"x3/16"  
 SUB HORIZ: L 2-1/2"x2-1/2"x3/16"  
 TOP DIAG: L 4"x4"x5/16"  
 BOTTOM DIAG: L 5"x5"x3/8"  
 SUB DIAG: L 2-1/2"x2-1/2"x3/16"  
 PLAN BRACE: L 3"x3"x3/16"

REFERENCE DRAWINGS:

DRAWING NUMBER	DRAWING NUMBER
7201	

CONFIDENTIAL: ALL INTELLECTUAL PROPERTY RIGHTS HEREIN ARE THE PROPERTY OF TRYLON INC. ALL DUPLICATION, RECORDING, DISCLOSURE OR USE IS PROHIBITED WITHOUT WRITTEN CONSENT OF TYLON INC.



DRAWING NO. 159737.319.1505

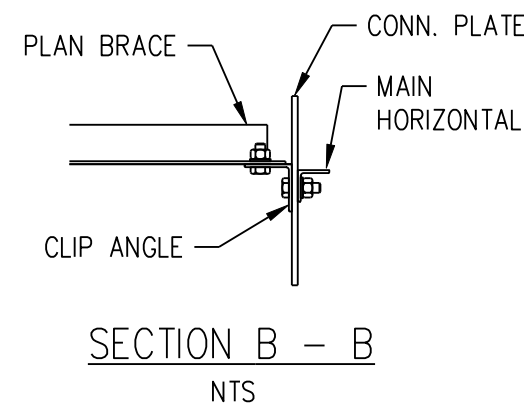
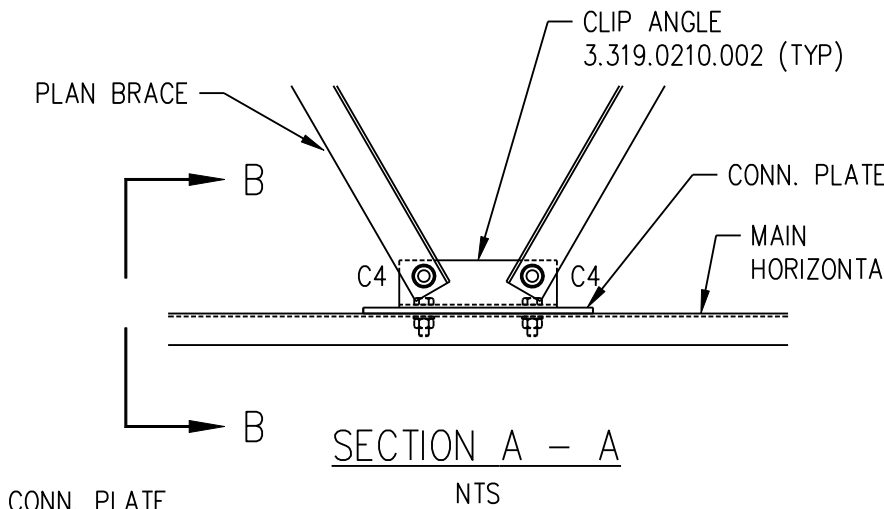
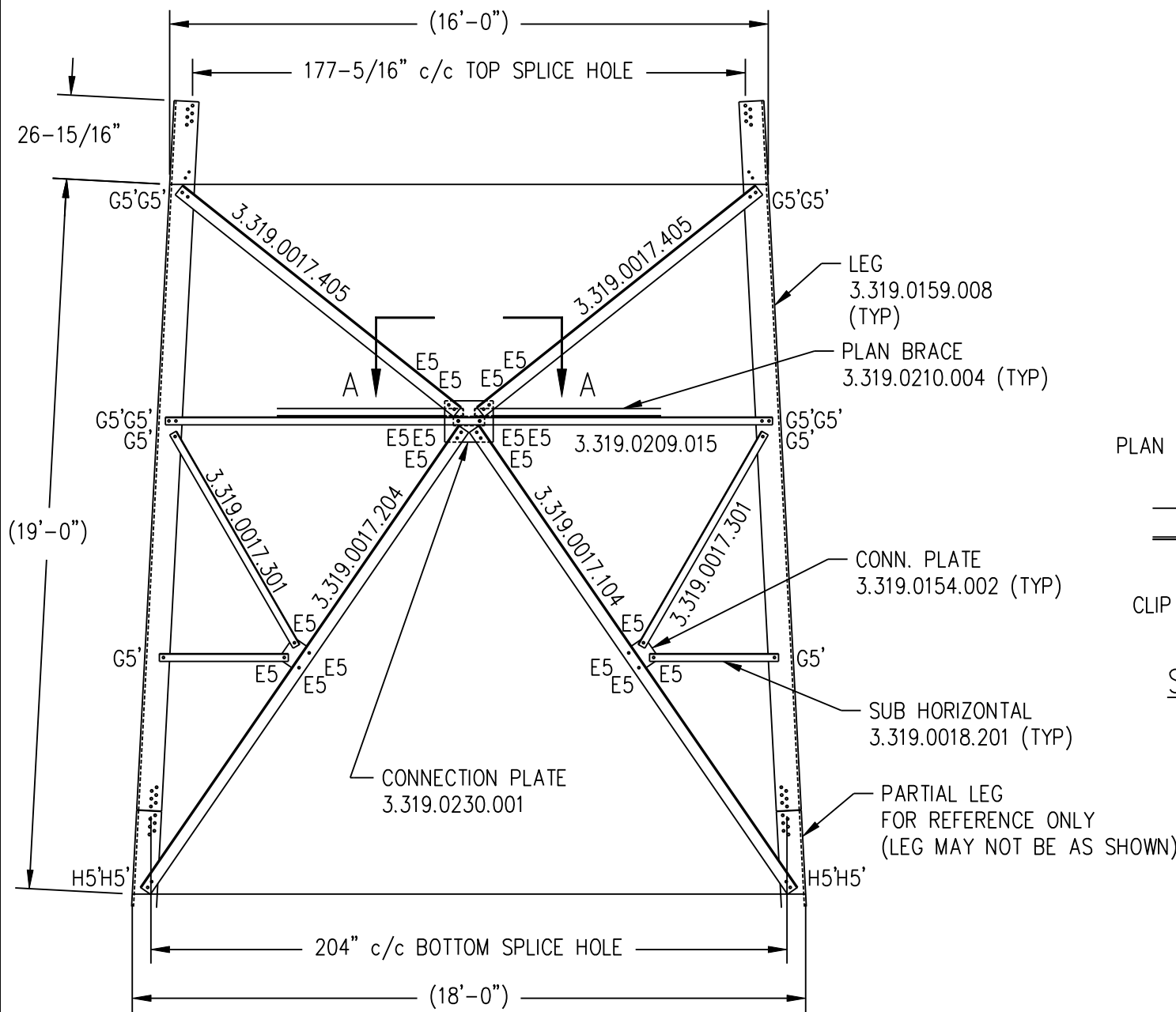
CUSTOMER: GOV OF BERMUDA	SITE: DEVONSHIRE PARISH	SCALE: 50.000
DATE: 20 FEB 20	BY: MA	CHK: PS
		APP: ZA

TITLE: SECTION ASS'Y (17.4m-23.2m)

NOTES: 1) REFER TO DWG 7201 FOR GENERAL ASSEMBLY NOTES.

REV.	BY: REV.	BY: CHK.	DESCRIPTION	DATE
A	MA	PS	ISSUE FOR APPROVAL	20 FEB 20
B	ON	MP	ISSUE FOR CONSTRUCTION	14 MAY 20

LEG: V 8"x8"x5/8"  
 MAIN HORIZ: L 2-1/2"x2-1/2"x3/16"  
 SUB HORIZ: L 2-1/2"x2-1/2"x3/16"  
 TOP DIAG: L 4"x4"x1/4"  
 BOTTOM DIAG: L 4"x4"x3/8"  
 SUB DIAG: L 2-1/2"x2-1/2"x3/16"  
 PLAN BRACE: L 2-1/2"x2-1/2"x3/16"



BOLT SCHEDULE		
MARK	SIZE	QTY
C4	5/8" x 1-1/2" A325	6
E5	3/4" x 2" A325	54
G5'	3/4" x 2-1/2" A325 + FLATWASHER	36
H5'	3/4" x 2-3/4" A325 + FLATWASHER	12

REFERENCE DRAWINGS:	
DRAWING NUMBER	DRAWING NUMBER
7201	

CONFIDENTIAL: ALL INTELLECTUAL PROPERTY RIGHTS HEREIN ARE THE PROPERTY OF TRYLON INC. ALL DUPLICATION, RECORDING, DISCLOSURE OR USE IS PROHIBITED WITHOUT WRITTEN CONSENT OF TYLON INC.

DRAWING NO. 159737.319.1506

CUSTOMER: GOV OF BERMUDA    SITE: DEVONSHIRE PARISH    SCALE: 50.000

DATE: 20 FEB 20    BY: MA    CHK: PS    APP: ZA

TITLE: SECTION ASS'Y (23.2m-29.0m)

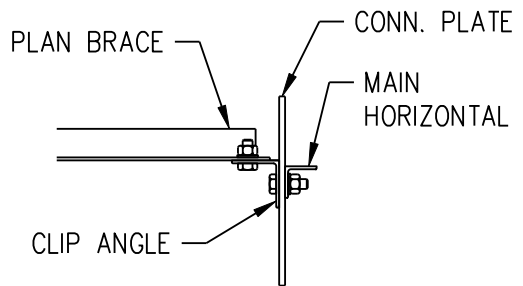
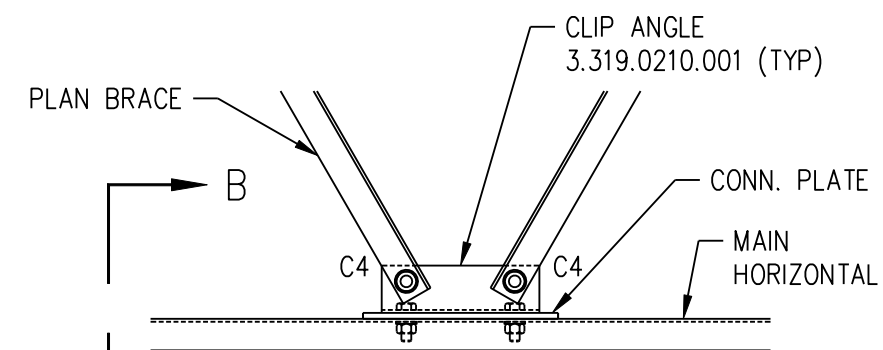
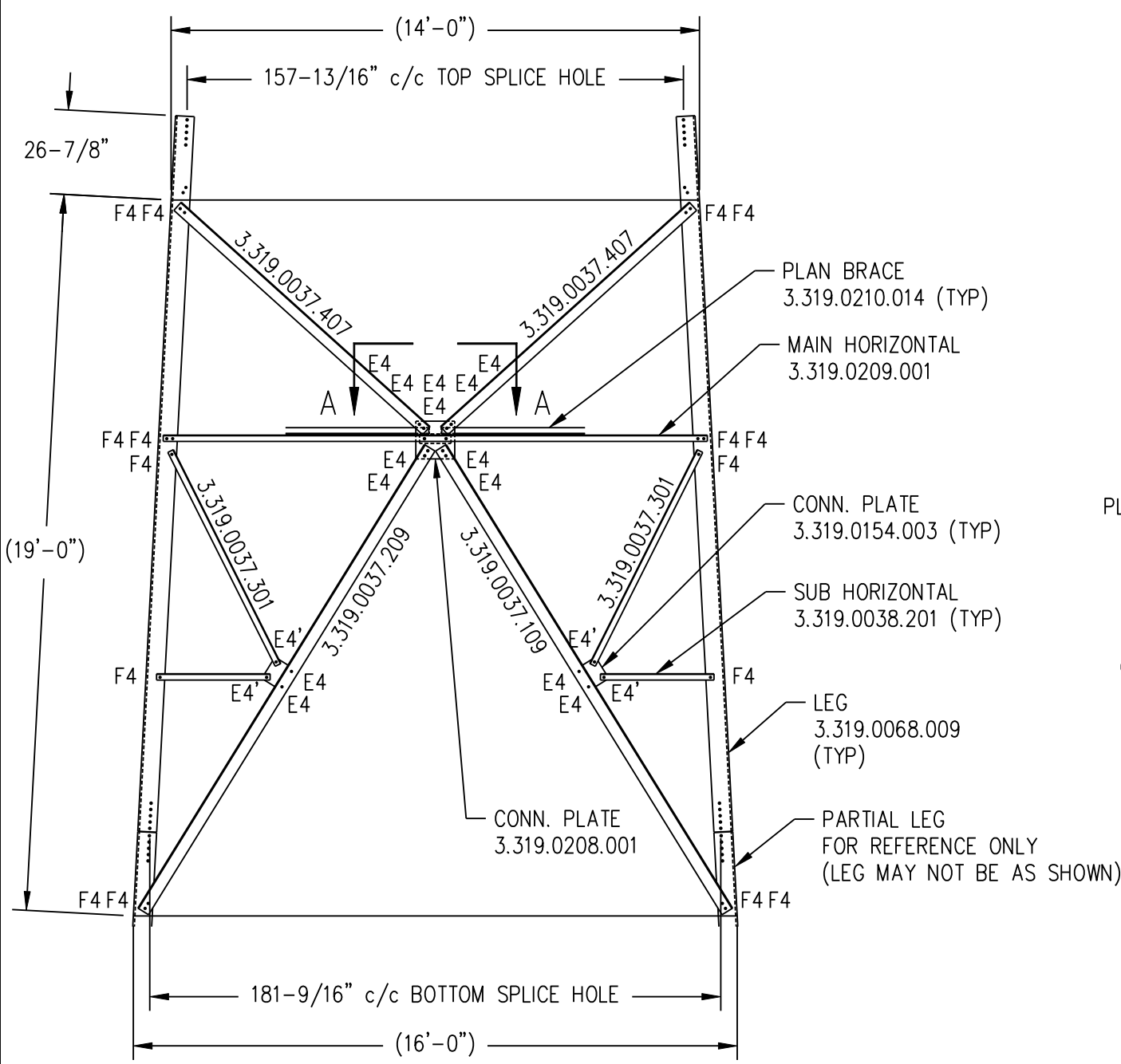
NOTES: 1) REFER TO DWG 7201 FOR GENERAL ASSEMBLY NOTES.

REV.	BY: REV.	BY: CHK.	DESCRIPTION	DATE
A	MA	PS	ISSUE FOR APPROVAL	20 FEB 20
B	ON	MP	ISSUE FOR CONSTRUCTION	14 MAY 20

ENG. REF. SA19.0016.08.05.16.2.1.0  
 LEG: V 6"x6"x3/4"  
 MAIN HORIZ: L 2"x2"x3/16"  
 SUB HORIZ: L 2"x2"x3/16"  
 TOP DIAG: L 3-1/2"x3-1/2"x1/4"  
 BOTTOM DIAG: L 4"x4"x5/16"  
 SUB DIAG: L 2"x2"x3/16"  
 PLAN BRACE: L 2"x2"x3/16"

REFERENCE DRAWINGS:

DRAWING NUMBER	DRAWING NUMBER
7201	



BOLT SCHEDULE		
MARK	SIZE	QTY
C4	5/8" x 1-1/2" A325	6
E4	5/8" x 2" A325	42
E4'	5/8" x 2" A325 + FLATWASHER	12
F4	5/8" x 2-1/4" A325	48

NOTES: 1) REFER TO DWG 7201 FOR GENERAL ASSEMBLY NOTES.

CONFIDENTIAL: ALL INTELLECTUAL PROPERTY RIGHTS HEREIN ARE THE PROPERTY OF TRYLON INC. ALL DUPLICATION, RECORDING, DISCLOSURE OR USE IS PROHIBITED WITHOUT WRITTEN CONSENT OF TYLON INC.

DRAWING NO. 159737.319.1507

CUSTOMER: GOV OF BERMUDA SITE: DEVONSHIRE PARISH SCALE: 50.000

DATE: 20 FEB 20 BY: MA CHK: PS APP: ZA

TITLE: SECTION ASS'Y (29.0m-34.8m)

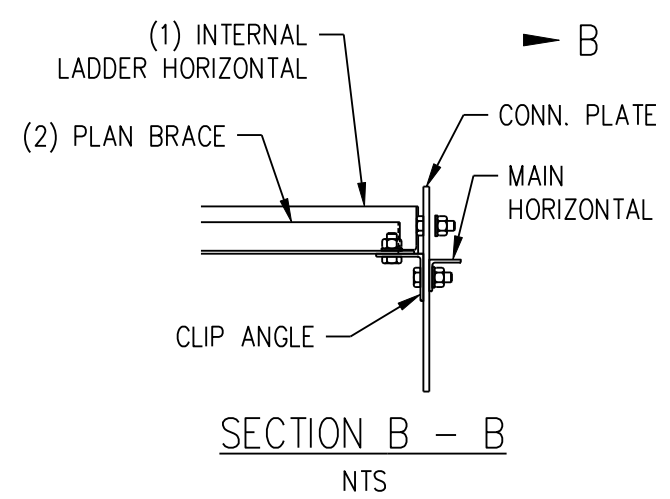
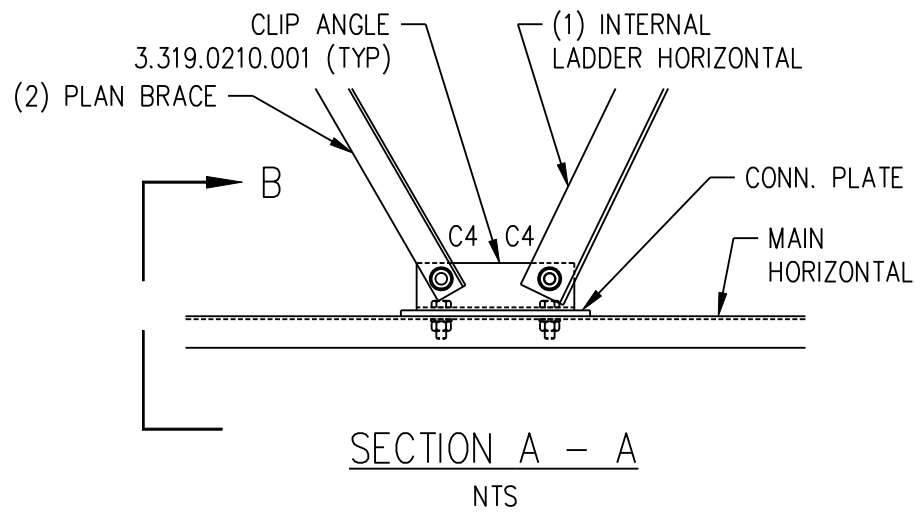
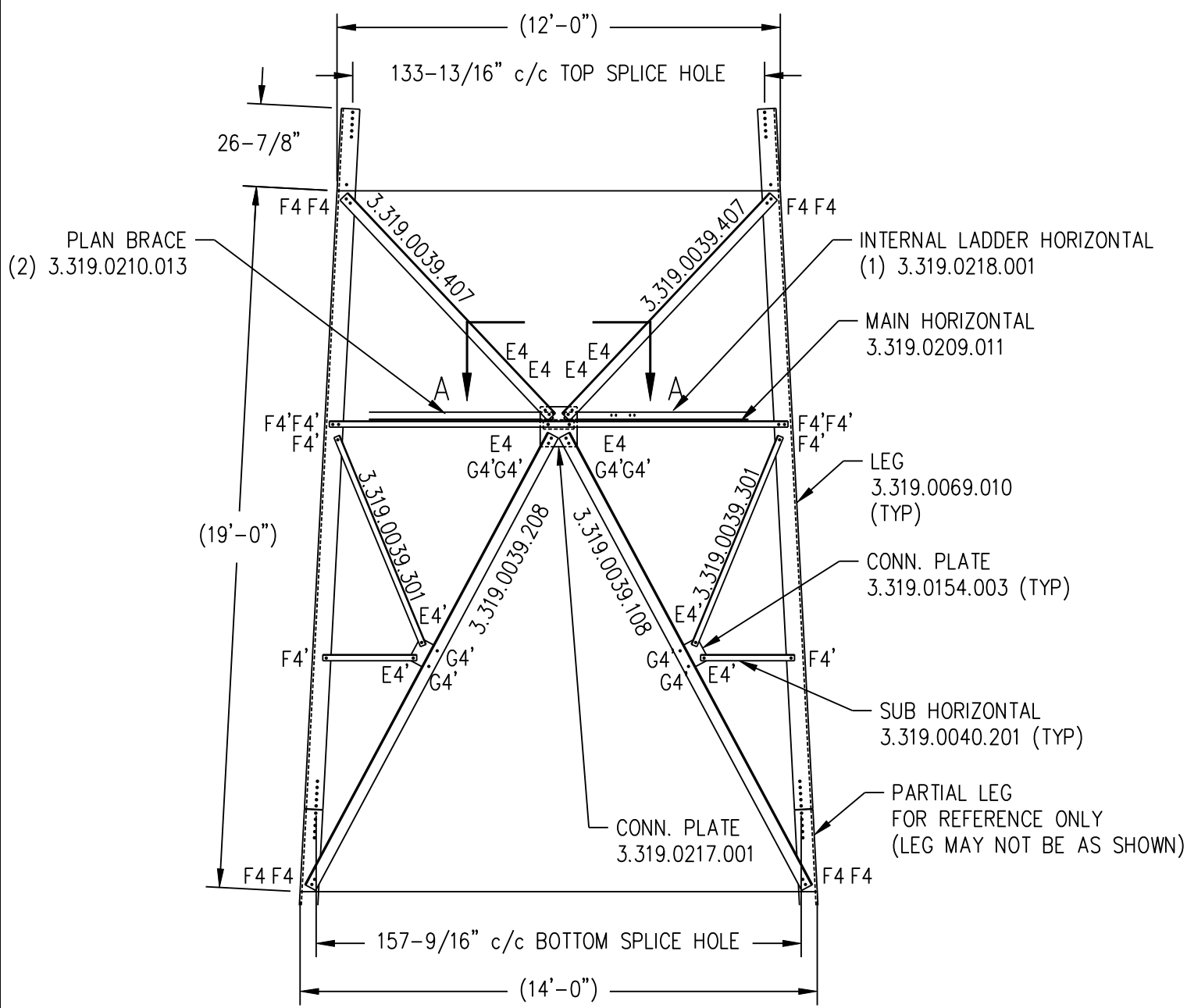


REV.	BY: REV.	BY: CHK.	DESCRIPTION	DATE
A	MA	PS	ISSUE FOR APPROVAL	20 FEB 20
B	ON	MP	ISSUE FOR CONSTRUCTION	14 MAY 20

LEG: V 6"x6"x5/8"  
 MAIN HORIZ: L 2"x2"x3/16"  
 SUB HORIZ: L 2"x2"x3/16"  
 TOP DIAG: L 3 1/2"x3 1/2"x1/4"  
 BOTTOM DIAG: L 4"x4"x1/4"  
 SUB DIAG: L 2"x2"x3/16"  
 PLAN BRACE: L 2"x2"x3/16"

REFERENCE DRAWINGS:	
DRAWING NUMBER	DRAWING NUMBER
7201	

BOLT SCHEDULE		
MARK	SIZE	QTY
C4	5/8" x 1-1/2" A325	6
E4	5/8" x 2" A325	18
E4'	5/8" x 2" A325 + FLATWASHER	12
F4	5/8" x 2-1/4" A325	24
F4'	5/8" x 2-1/4" A325 + FLATWASHER	24
G4'	5/8" x 2-1/2" A325 + FLATWASHER	24



NOTES: 1) REFER TO DWG 7201 FOR GENERAL ASSEMBLY NOTES.

CONFIDENTIAL: ALL INTELLECTUAL PROPERTY RIGHTS HEREIN ARE THE PROPERTY OF TRYLON INC. ALL DUPLICATION, RECORDING, DISCLOSURE OR USE IS PROHIBITED WITHOUT WRITTEN CONSENT OF TYLON INC.

**Trylon**

DRAWING NO. 159737.319.1508

CUSTOMER: GOV OF BERMUDA | SITE: DEVONSHIRE PARISH | SCALE: 50.000

DATE: 20 FEB 20 | BY: MA | CHK: PS | APP: ZA

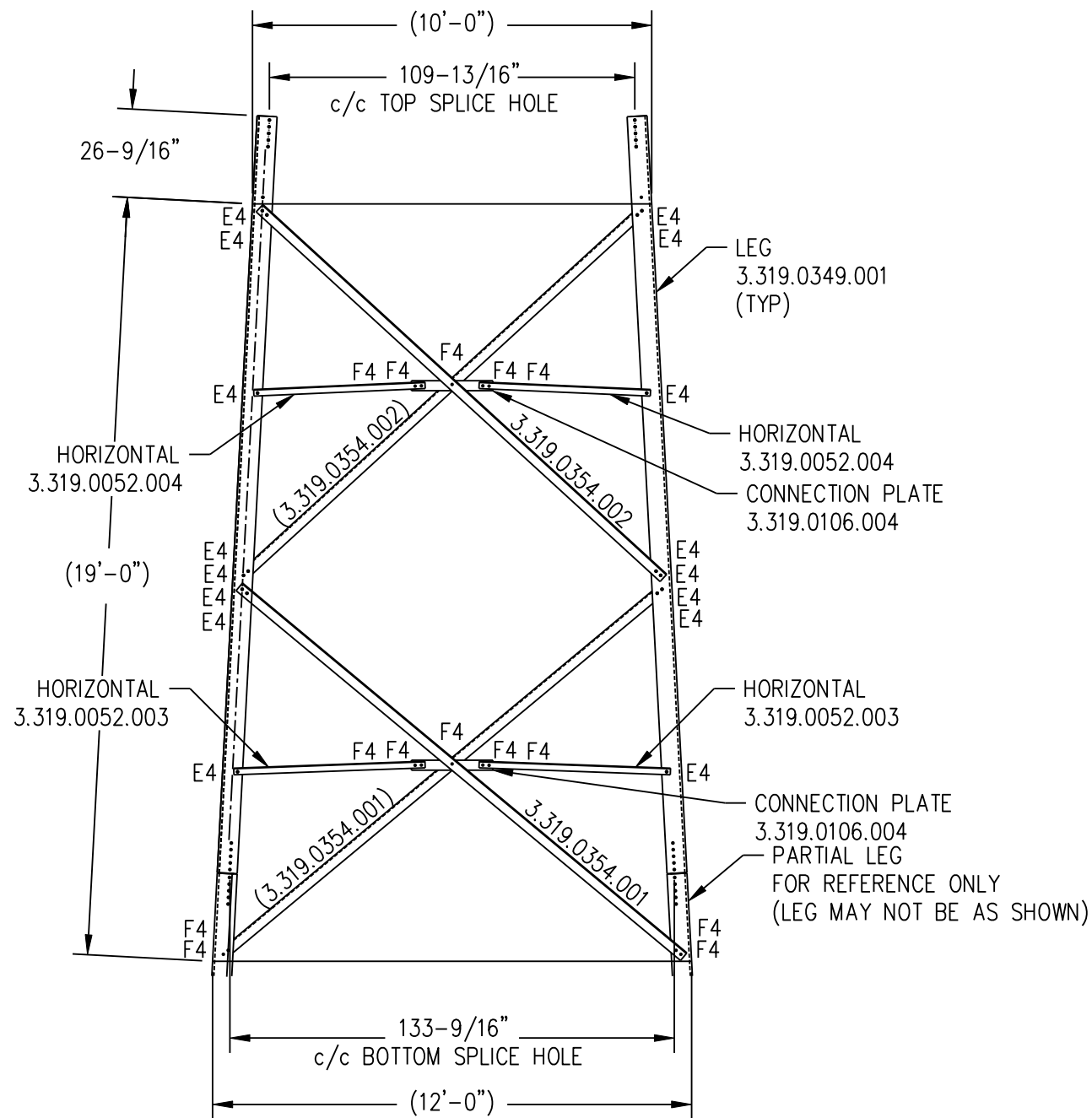
TITLE: SECTION ASS'Y (34.8m-40.5m)

REV.	BY: REV.	BY: CHK.	DESCRIPTION	DATE
A	MA	PS	ISSUE FOR APPROVAL	20 FEB 20
B	ON	MP	ISSUE FOR CONSTRUCTION	14 MAY 20

LEG: V 6"x6"x1/2"  
HORIZ: L 2"x2"x3/16"  
DIAG: L 3"x3"x1/4"


REFERENCE DRAWINGS:

DRAWING NUMBER	DRAWING NUMBER
7201	



BOLT SCHEDULE		
MARK	SIZE	QTY
E4	5/8" x 2" A325	48
F4	5/8" x 2-1/4" A325	42

CONFIDENTIAL: ALL INTELLECTUAL PROPERTY RIGHTS HEREIN ARE THE PROPERTY OF TRYLON INC. ALL DUPLICATION, RECORDING, DISCLOSURE OR USE IS PROHIBITED WITHOUT WRITTEN CONSENT OF TYLON INC.



DRAWING NO.  
159737.319.1509

CUSTOMER: GOV OF BERMUDA    SITE: DEVONSHIRE PARISH    SCALE: 50.000

DATE: 24 FEB 20    BY: MA    CHK: PS    APP: ZA

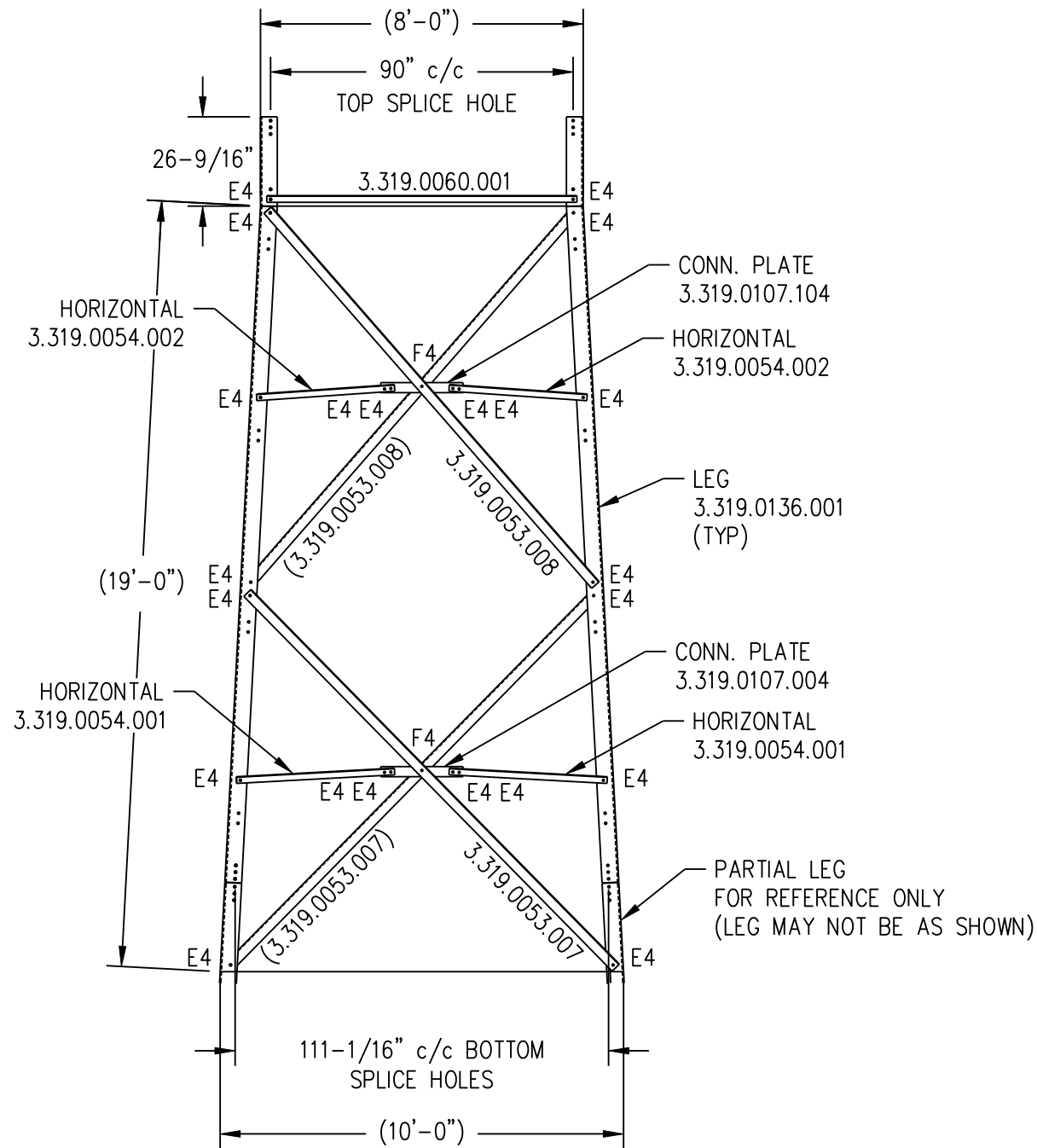
TITLE:  
SECTION ASS'Y (40.5m-46.3m)

NOTES: 1) REFER TO DWG 7201 FOR GENERAL ASSEMBLY NOTES.



REV.	BY: REV.	BY: CHK.	DESCRIPTION	DATE
A	MA	PS	ISSUE FOR APPROVAL	20 FEB 20
B	ON	MP	ISSUE FOR CONSTRUCTION	14 MAY 20


BOLT SCHEDULE		
MARK	SIZE	QTY
E4	5/8" x 2" A325	66
F4	5/8" x 2-1/4" A325	6



ENG. REF. SA19.0010.04.04.00.1.1.9  
 LEG: V 5"x5"x1/2"  
 HORIZ: L 2"x2"x3/16"  
 DIAG: L 3"x3"x1/4"

REFERENCE DRAWINGS:	
DRAWING NUMBER	DRAWING NUMBER
7201	

CONFIDENTIAL: ALL INTELLECTUAL PROPERTY RIGHTS HEREIN ARE THE PROPERTY OF TRYLON INC. ALL DUPLICATION, RECORDING, DISCLOSURE OR USE IS PROHIBITED WITHOUT WRITTEN CONSENT OF TYLON INC.



DRAWING NO. 159737.319.1510

CUSTOMER: GOV OF BERMUDA    SITE: DEVONSHIRE PARISH    SCALE: 50.000

DATE: 20 FEB 20    BY: MA    CHK: PS    APP: ZA

TITLE: SECTION ASS'Y (46.3m-52.1m)

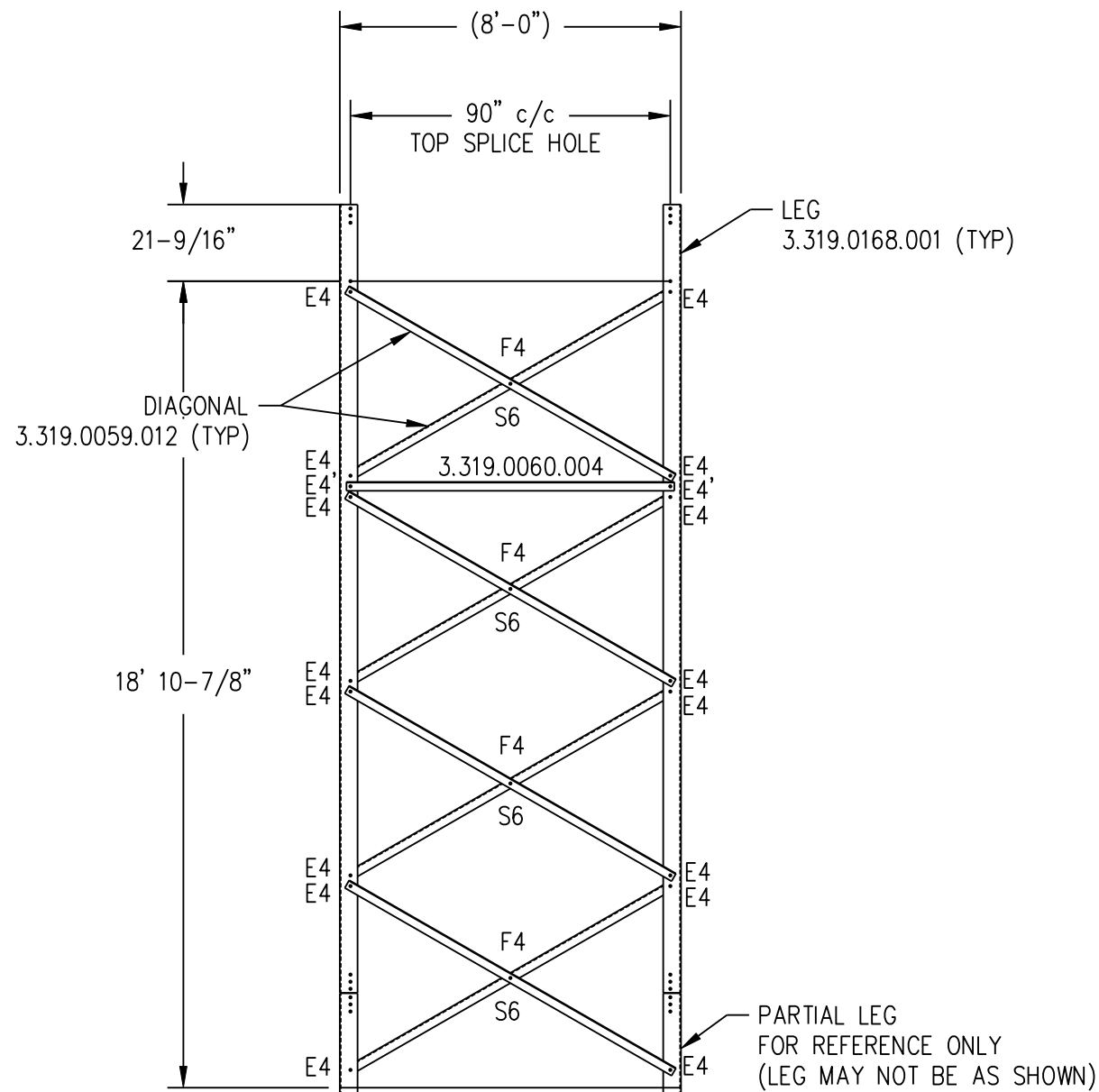
NOTES: 1) REFER TO DWG 7201 FOR GENERAL ASSEMBLY NOTES.

REV.	BY: REV.	BY: CHK.	DESCRIPTION	DATE
A	MA	PS	ISSUE FOR APPROVAL	20 FEB 20
B	ON	MP	ISSUE FOR CONSTRUCTION	14 MAY 20

LEG: V 5"x5"x3/8"  
HORIZ: L 2-1/2"x2-1/2"x3/16"  
DIAG: L 3"x3"x1/4"


REFERENCE DRAWINGS:

DRAWING NUMBER	DRAWING NUMBER
7201	



BOLT SCHEDULE		
MARK	SIZE	QTY
E4	5/8" x 2" A325	48
E4'	5/8" x 2" A325 + FLATWASHER	6
F4	5/8" x 2-1/4" A325	12
S6	3/8" x 2" x 2" SPACER c/w 11/16"Ø HOLE	12

CONFIDENTIAL: ALL INTELLECTUAL PROPERTY RIGHTS HEREIN ARE THE PROPERTY OF TRYLON INC. ALL DUPLICATION, RECORDING, DISCLOSURE OR USE IS PROHIBITED WITHOUT WRITTEN CONSENT OF TYLON INC.



DRAWING NO. 159737.319.1511

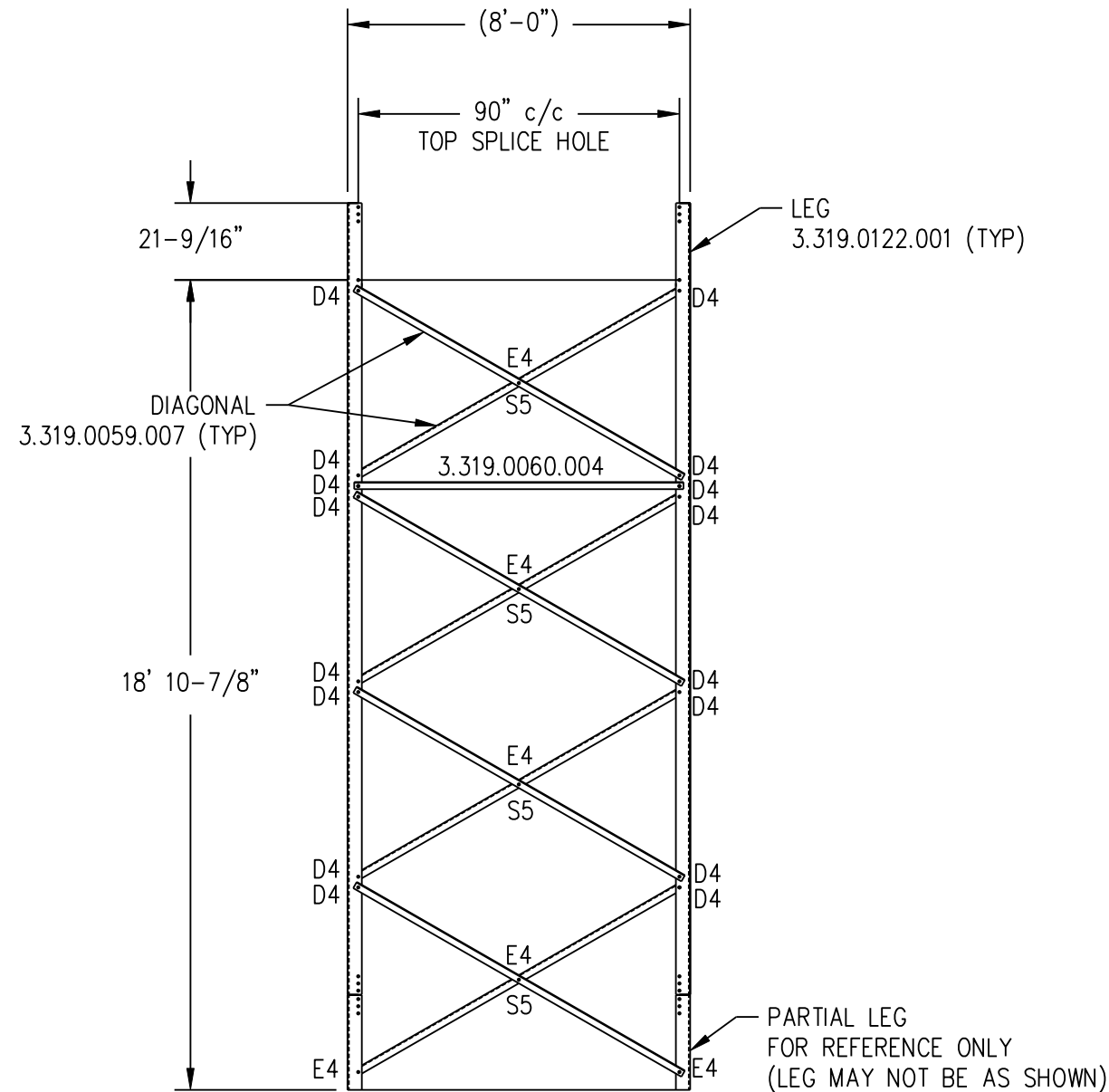
CUSTOMER: GOV OF BERMUDA    SITE: DEVONSHIRE PARISH    SCALE: 50.000

DATE: 20 FEB 20    BY: MA    CHK: PS    APP: ZA

TITLE: SECTION ASS'Y (52.1m-57.9m)

NOTES: 1) REFER TO DWG 7201 FOR GENERAL ASSEMBLY NOTES.

BOLT SCHEDULE		
MARK	SIZE	QTY
D4	5/8" x 1-3/4" A325	48
E4	5/8" x 2" A325	18
S5	5/16" x 2" x 2" SPACER c/w 11/16"Ø HOLE	12




REV.	BY: REV.	BY: CHK.	DESCRIPTION	DATE
A	MA	PS	ISSUE FOR APPROVAL	20 FEB 20
B	ON	MP	ISSUE FOR CONSTRUCTION	14 MAY 20

LEG: V 4"x4"x5/16"  
HORIZ: L 2-1/2"x2-1/2"x3/16"  
DIAG: L 2-1/2"x2-1/2"x3/16"

REFERENCE DRAWINGS:

DRAWING NUMBER	DRAWING NUMBER
7201	

CONFIDENTIAL: ALL INTELLECTUAL PROPERTY RIGHTS HEREIN ARE THE PROPERTY OF TRYLON INC. ALL DUPLICATION, RECORDING, DISCLOSURE OR USE IS PROHIBITED WITHOUT WRITTEN CONSENT OF TYLON INC.



DRAWING NO.  
159737.319.1512

CUSTOMER: GOV OF BERMUDA	SITE: DEVONSHIRE PARISH	SCALE: 50.000
-----------------------------	----------------------------	------------------

DATE: 20 FEB 20	BY: MA	CHK: PS	APP: ZA
--------------------	-----------	------------	------------

TITLE:  
SECTION ASS'Y (57.9m-63.7m)

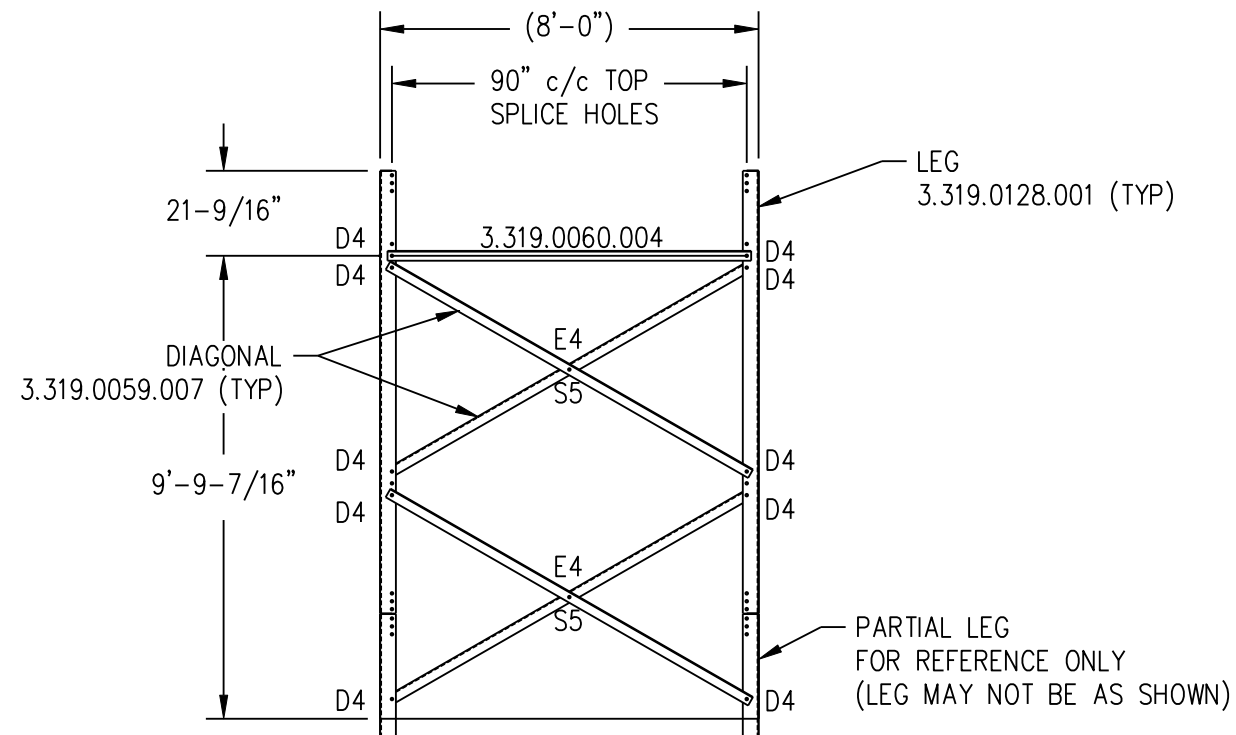
NOTES: 1) REFER TO DWG 7201 FOR GENERAL ASSEMBLY NOTES.

REV.	BY: REV.	BY: CHK.	DESCRIPTION	DATE
A	MA	PS	ISSUE FOR APPROVAL	20 FEB 20
B	ON	MP	ISSUE FOR CONSTRUCTION	14 MAY 20

LEG: V 4"x4"x5/16"  
HORIZ: L 2-1/2"x2-1/2"x3/16"  
DIAG: L 2-1/2"x2-1/2"x3/16"


REFERENCE DRAWINGS:

DRAWING NUMBER	DRAWING NUMBER
7201	



BOLT SCHEDULE		
MARK	SIZE	QTY
D4	5/8" x 1-3/4" A325	30
E4	5/8" x 2" A325	6
S5	5/16" x 2" x 2" SPACER c/w 11/16"Ø HOLE	6

CONFIDENTIAL: ALL INTELLECTUAL PROPERTY RIGHTS HEREIN ARE THE PROPERTY OF TRYLON INC. ALL DUPLICATION, RECORDING, DISCLOSURE OR USE IS PROHIBITED WITHOUT WRITTEN CONSENT OF TYLON INC.



DRAWING NO.  
159737.319.1513

CUSTOMER: GOV OF BERMUDA    SITE: DEVONSHIRE PARISH    SCALE: 50.000

DATE: 20 FEB 20    BY: MA    CHK: PS    APP: ZA

TITLE:  
SECTION ASS'Y (63.7m-66.6m)

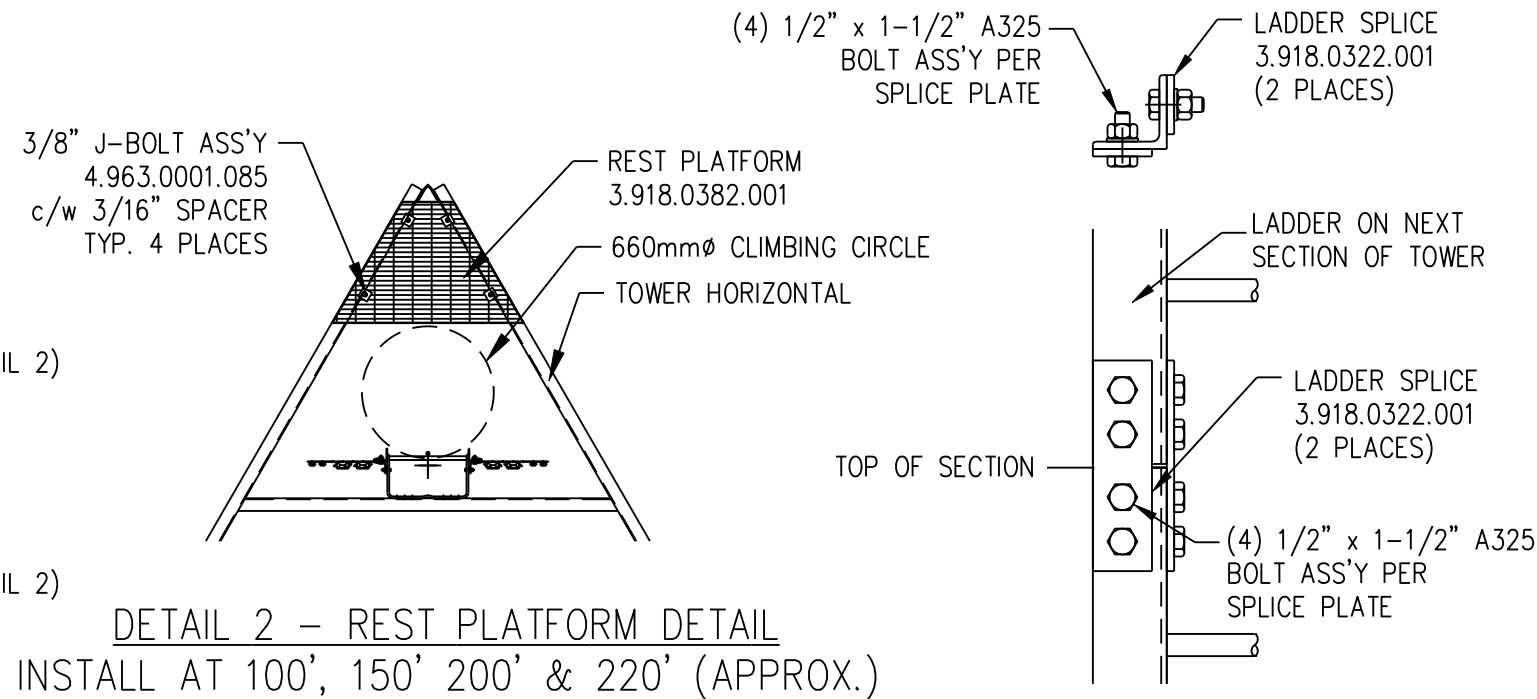
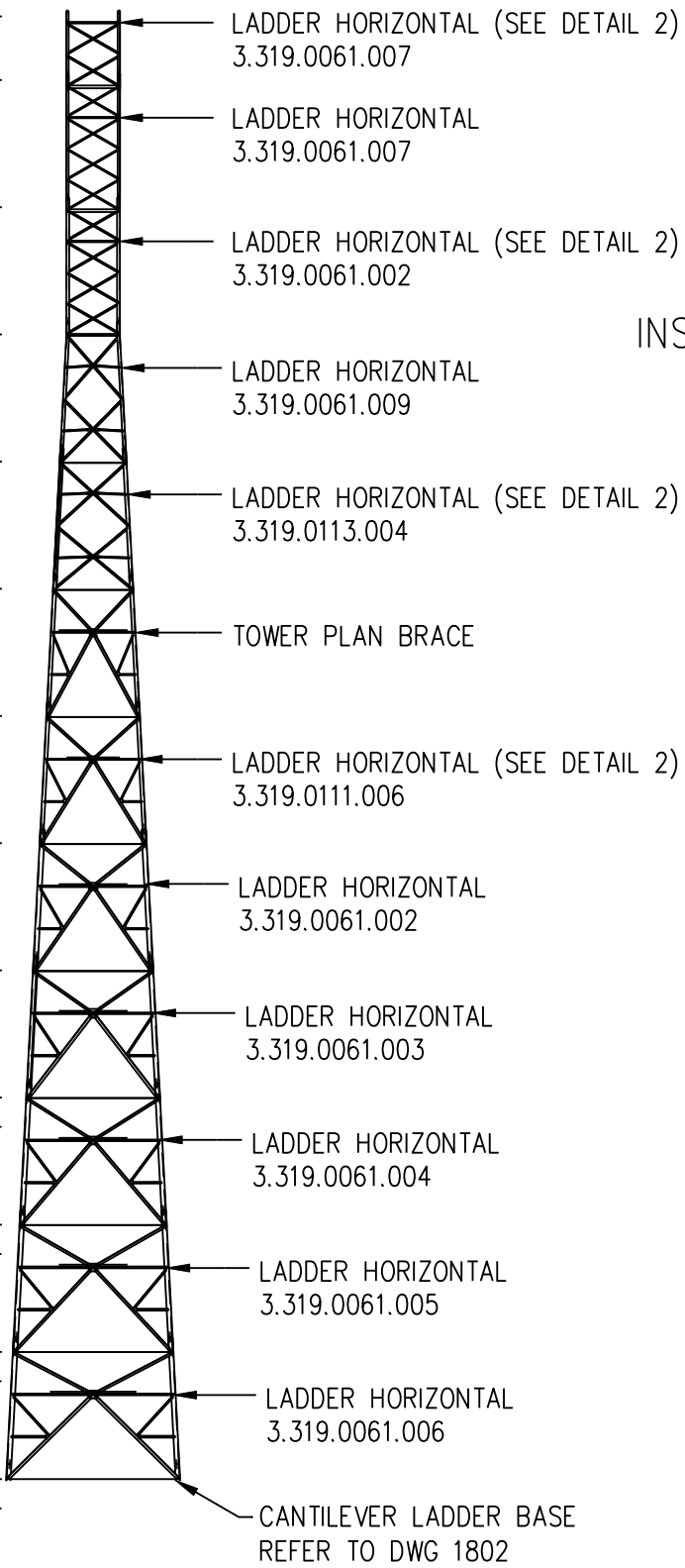
NOTES: 1) REFER TO DWG 7201 FOR GENERAL ASSEMBLY NOTES.

**MEMBERS LEGEND**

- A = V 8" x 8" x 1-1/8"    G = V 6" x 6" x 5/8"
- B = V 8" x 8" x 1"        H = V 6" x 6" x 1/2"
- C = V 8" x 8" x 7/8"     I = V 5" x 5" x 1/2"
- D = V 8" x 8" x 3/4"     J = V 5" x 5" x 3/8"
- E = V 8" x 8" x 5/8"     K = V 4" x 4" x 5/16"
- F = V 6" x 6" x 3/4"

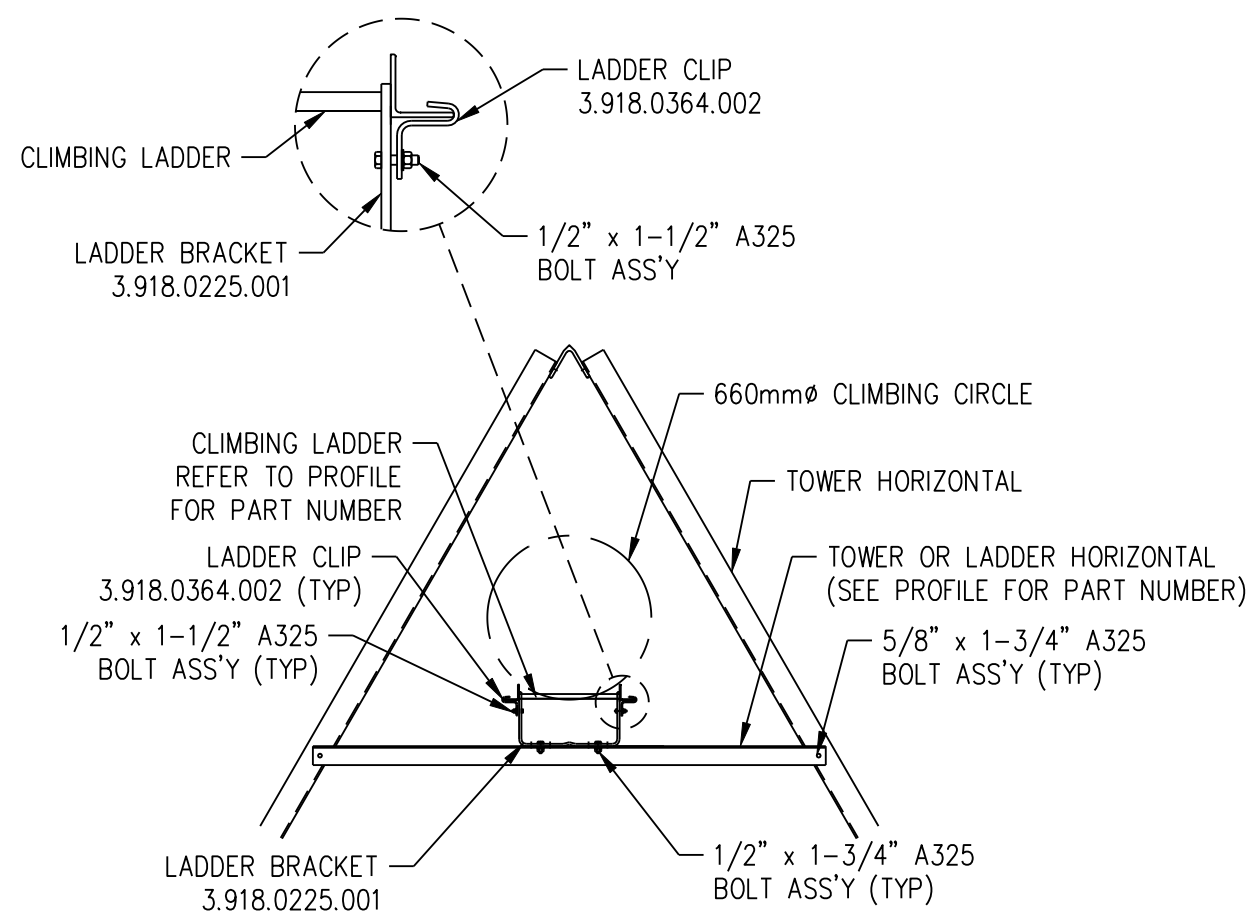
DWC. NO.	1501 & 1502	LEG	A
	1503		B
	1504		C
	1505		D
	1506		E
	1507		F
	1508		G
	1509		H
	1510		I
	1511		J
	1512		K
	1513		

- EL. = 218.5'  
8.0' HEEL TO HEEL
- EL. = 209.0'  
8.0' HEEL TO HEEL
- EL. = 190.0'  
8.0' HEEL TO HEEL
- EL. = 171.0'  
8.0' HEEL TO HEEL
- EL. = 152.0'  
10.0' HEEL TO HEEL
- EL. = 133.0'  
12.0' HEEL TO HEEL
- EL. = 114.0'  
14.0' HEEL TO HEEL
- EL. = 95.0'  
16.0' HEEL TO HEEL
- EL. = 76.0'  
18.0' HEEL TO HEEL
- EL. = 57.0'  
20.0' HEEL TO HEEL
- EL. = 38.0'  
22.0' HEEL TO HEEL
- EL. = 19.0'  
24.0' HEEL TO HEEL
- EL. = 0.0'  
26.0' HEEL TO HEEL



**DETAIL 2 - REST PLATFORM DETAIL**  
INSTALL AT 100', 150' 200' & 220' (APPROX.)

**TYPICAL LADDER SPLICE**  
KIT No: 4.924.0007.001



**DETAIL 1**

REV.	BY: REV.	BY: CHK.	DESCRIPTION	DATE
A	MA	PS	ISSUE FOR APPROVAL	20 FEB 20
B	ON	MP	ISSUE FOR CONSTRUCTION	14 MAY 20

REFERENCE DRAWINGS:

DRAWING NUMBER	DRAWING NUMBER
1802	

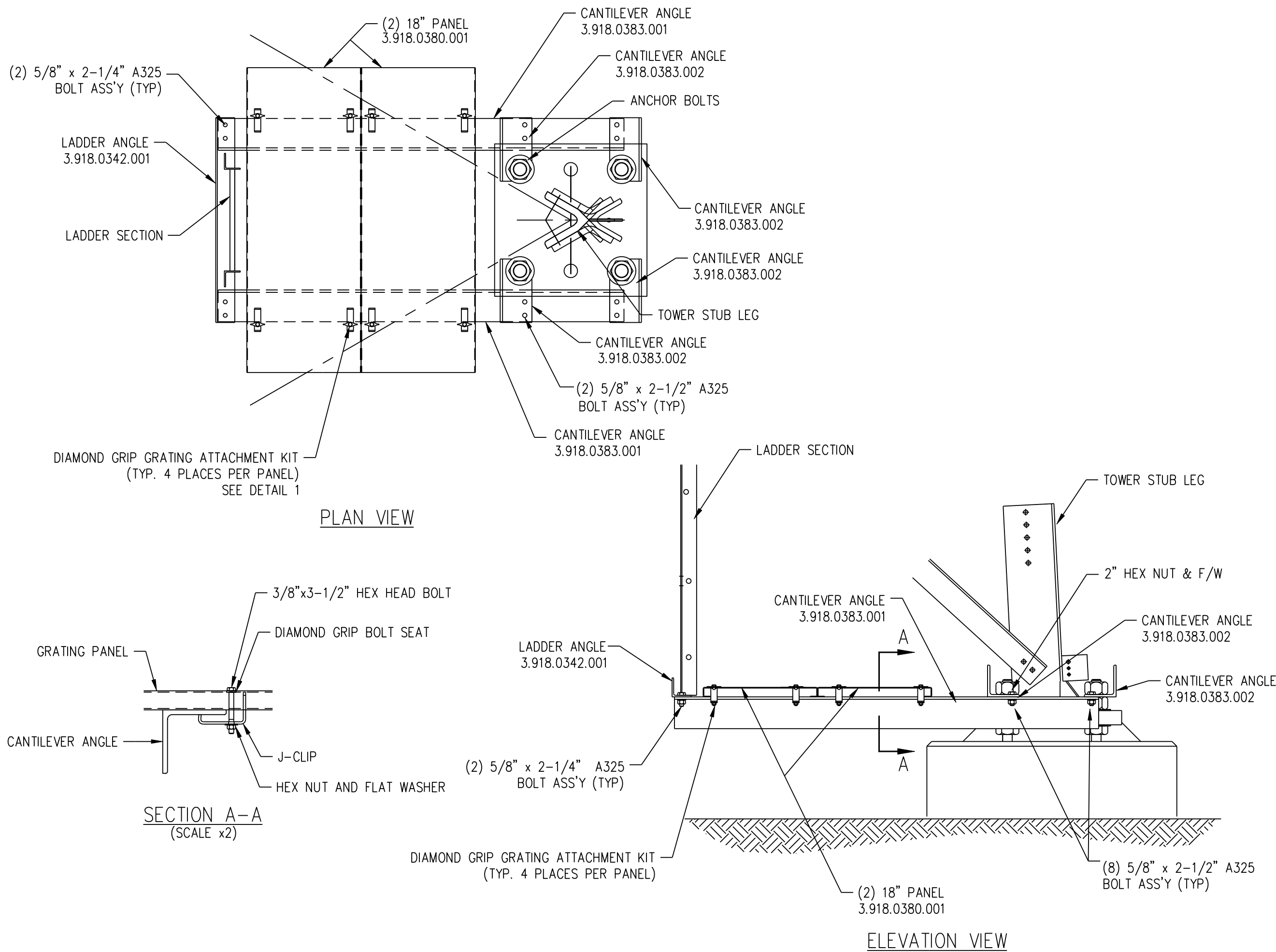
CONFIDENTIAL: ALL INTELLECTUAL PROPERTY RIGHTS HEREIN ARE THE PROPERTY OF TRYLON INC. ALL DUPLICATION, RECORDING, DISCLOSURE OR USE IS PROHIBITED WITHOUT WRITTEN CONSENT OF TRYLON INC

DRAWING NO.  
**159737.319.1801**

CUSTOMER: GOV OF BERMUDA    SITE: DEVONSHIRE PARISH    SCALE: 350.000

DATE: 20 FEB 20	BY: MA	CHK: PS	APP: ZA
-----------------	--------	---------	---------

TITLE: **LADDER DETAIL**




REV.	BY: REV.	BY: CHK.	DESCRIPTION	DATE
A	MA	PS	ISSUE FOR APPROVAL	20 FEB 20
B	ON	MP	ISSUE FOR CONSTRUCTION	14 MAY 20

REFERENCE DRAWINGS:

DRAWING NUMBER	DRAWING NUMBER

CONFIDENTIAL: ALL INTELLECTUAL PROPERTY RIGHTS HEREIN ARE THE PROPERTY OF TRYLON INC. ALL DUPLICATION, RECORDING, DISCLOSURE OR USE IS PROHIBITED WITHOUT WRITTEN CONSENT OF TRYLON INC



DRAWING NO. 159737.319.1802

CUSTOMER: GOV OF BERMUDA    SITE: DEVONSHIRE PARISH    SCALE: 15.000

DATE: 20 FEB 20    BY: MA    CHK: PS    APP: ZA

TITLE: CANTILEVER PLATFORM ASSY



**MEMBERS LEGEND**

- A = V 8" x 8" x 1-1/8"    G = V 6" x 6" x 5/8"
- B = V 8" x 8" x 1"        H = V 6" x 6" x 1/2"
- C = V 8" x 8" x 7/8"     I = V 5" x 5" x 1/2"
- D = V 8" x 8" x 3/4"     J = V 5" x 5" x 3/8"
- E = V 8" x 8" x 5/8"     K = V 4" x 4" x 5/16"
- F = V 6" x 6" x 3/4"

DWC. NO.	1501 & 1502	A		1503	B		1504	C		1505	D		1506	E		1507	F		1508	G		1509	H		1510	I		1511	J		1512	K		1513		
LEG																																				

EL. = 218.5'  
8.0' HEEL TO HEEL

EL. = 209.0'  
8.0' HEEL TO HEEL

EL. = 190.0'  
8.0' HEEL TO HEEL

EL. = 171.0'  
8.0' HEEL TO HEEL

EL. = 152.0'  
10.0' HEEL TO HEEL

EL. = 133.0'  
12.0' HEEL TO HEEL

EL. = 114.0'  
14.0' HEEL TO HEEL

EL. = 95.0'  
16.0' HEEL TO HEEL

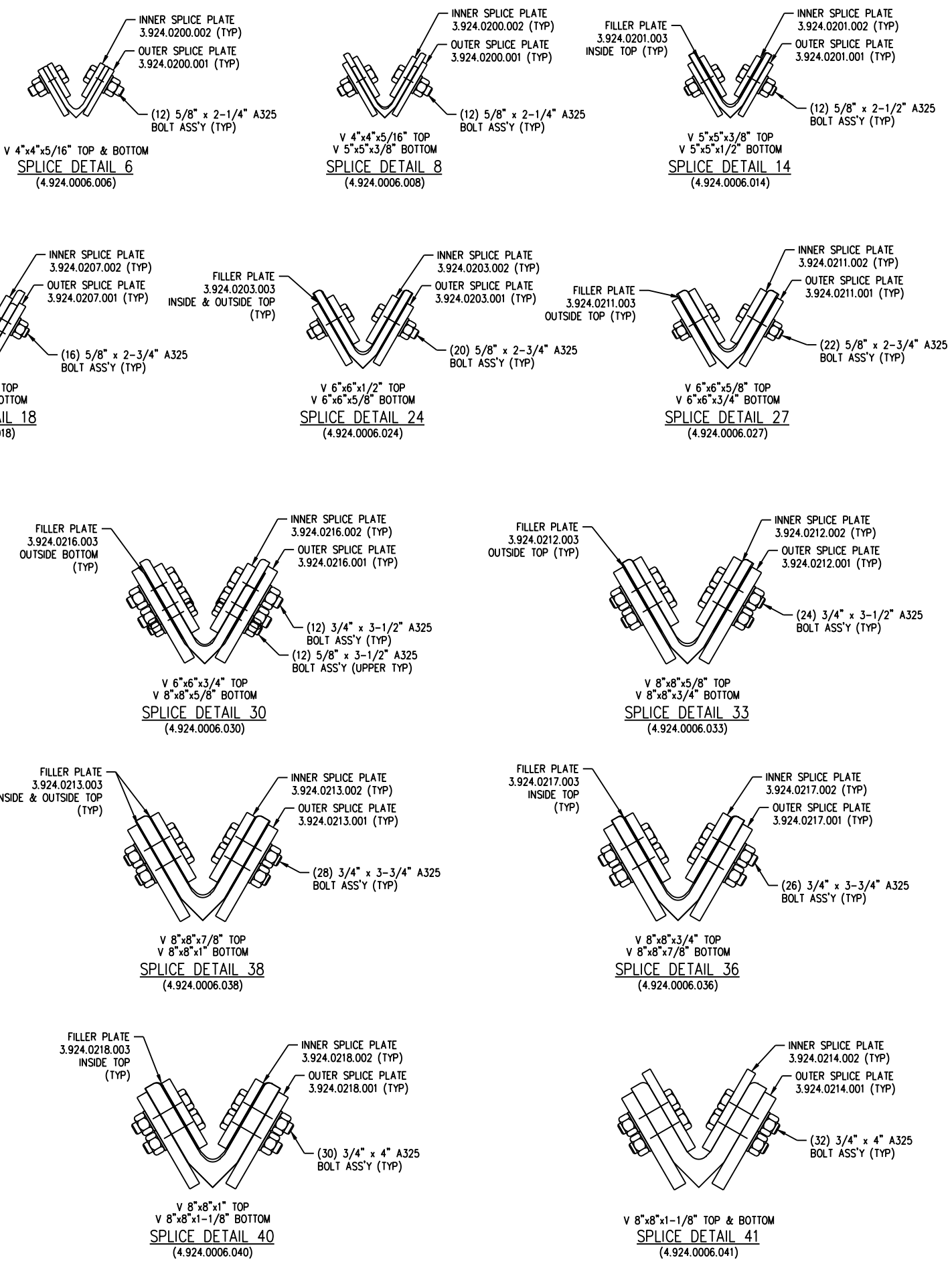
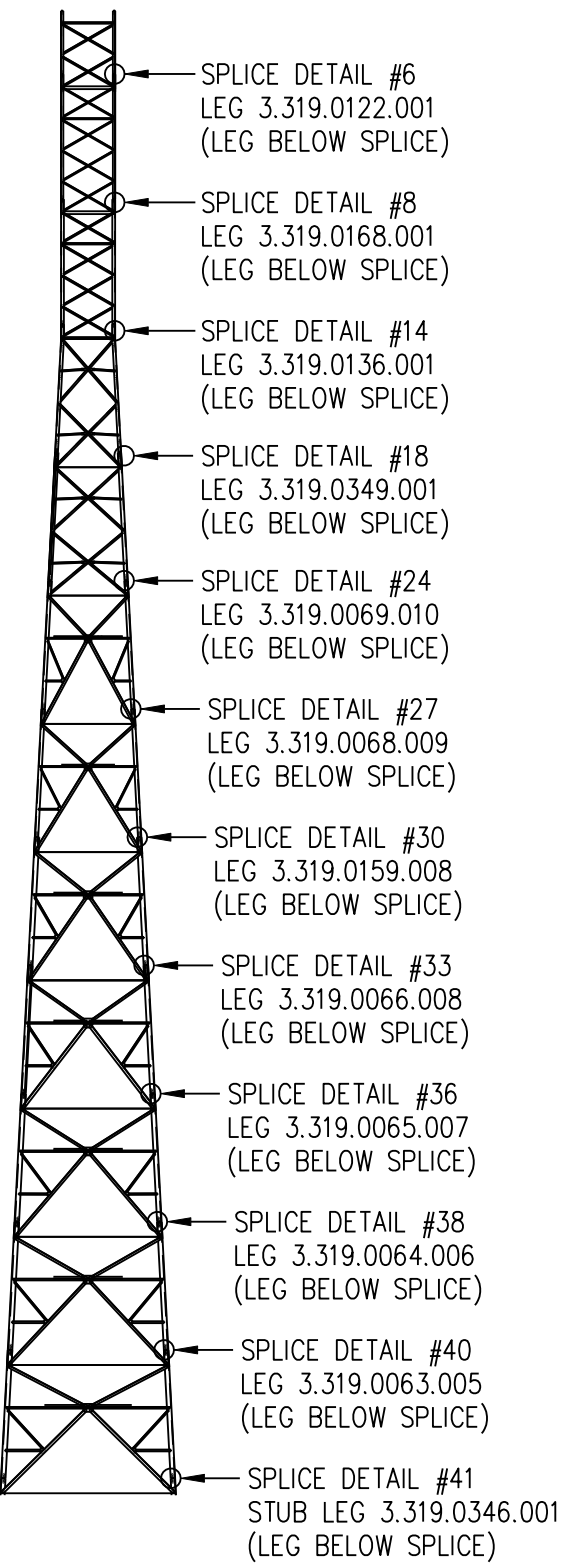
EL. = 76.0'  
18.0' HEEL TO HEEL

EL. = 57.0'  
20.0' HEEL TO HEEL

EL. = 38.0'  
22.0' HEEL TO HEEL

EL. = 19.0'  
24.0' HEEL TO HEEL

EL. = 0.0'  
26.0' HEEL TO HEEL



REV.	BY: REV.	BY: CHK.	DESCRIPTION	DATE
A	MA	PS	ISSUE FOR APPROVAL	20 FEB 20
B	ON	MP	ISSUE FOR CONSTRUCTION	14 MAY 20

REFERENCE DRAWINGS:

DRAWING NUMBER	DRAWING NUMBER

CONFIDENTIAL: ALL INTELLECTUAL PROPERTY RIGHTS HEREIN ARE THE PROPERTY OF TRYLON INC. ALL DUPLICATION, RECORDING, DISCLOSURE OR USE IS PROHIBITED WITHOUT WRITTEN CONSENT OF TRYLON INC

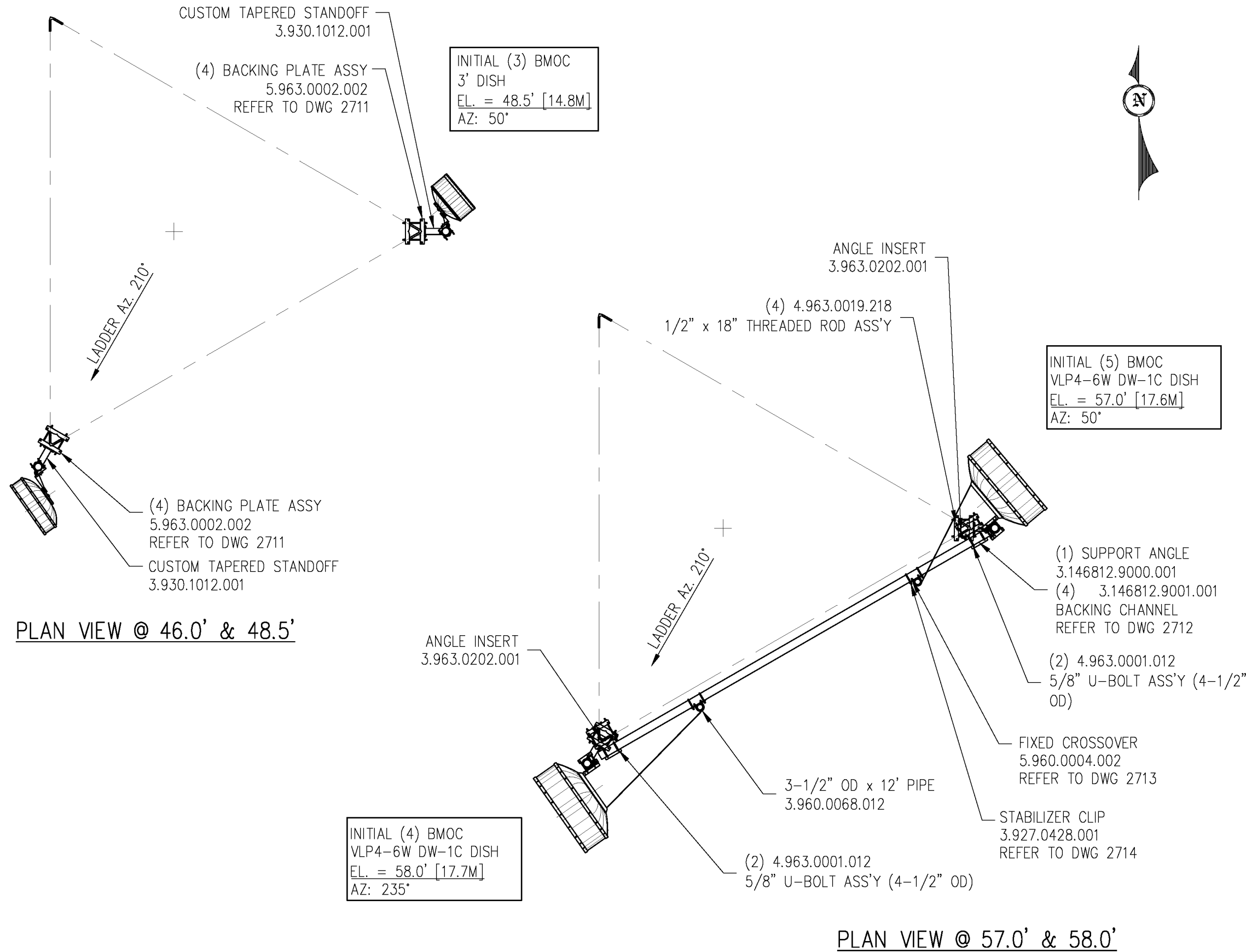
**Trylon**

DRAWING NO.  
**159737.319.2401**

CUSTOMER: GOV OF BERMUDA	SITE: DEVONSHIRE PARISH	SCALE: 350.000
DATE: 20 FEB 20	BY: MA	CHK: PS
APP: ZA	TITLE: <b>SPLICE PLATE DETAILS</b>	








REV.	BY: REV.	BY: CHK.	DESCRIPTION	DATE
A	ON	MP	ISSUE FOR CONSTRUCTION	04 MAY 20

REFERENCE DRAWINGS:

DRAWING NUMBER	DRAWING NUMBER
2701	
2712	
2713	
2714	

CONFIDENTIAL: ALL INTELLECTUAL PROPERTY RIGHTS HEREIN ARE THE PROPERTY OF TRYLON INC. ALL DUPLICATION, RECORDING, DISCLOSURE OR USE IS PROHIBITED WITHOUT WRITTEN CONSENT OF TRYLON INC



DRAWING NO.  
159737.319.2702

CUSTOMER: GOV OF BERMUDA	SITE: DEVONSHIRE PARISH	SCALE: 60.000
DATE: 04 MAY 20	BY: ON	CHK: MP
		APP: ZA

TITLE:  
ANTENNA MOUNT DETAILS

NOTES: 1) REFER TO DWG 2701 FOR ELEVATION VIEW.

INITIAL (8) CCS/BPS  
VHLP3-6W-DW1 DISH  
EL. = 63' [18.9M]  
AZ: 315°

CUSTOM TAPERED STANDOFF  
3.930.1012.001  
(4) BACKING PLATE ASSY  
5.963.0002.002/REFER TO DWG 2711

INITIAL (9) CCS/BPS  
VHLP4-6W-DW1 DISH  
EL. = 63' [18.9M]  
AZ: 50°

CUSTOM TAPERED STANDOFF  
3.930.1013.001  
(4) BACKING PLATE ASSY  
5.963.0002.002  
REFER TO DWG 2711  
ADJUSTABLE PARALLEL CLAMP  
5.960.0010.018 (TYP)  
REFER TO DWG 2717  
2-7/8" OD PIPE x 8' Lg  
3.960.0067.008

INITIAL (6) GOV  
TETRA MW 2' DISH  
EL. = 63.0' [18.9M]  
AZ: 270°

(4) BACKING PLATE ASSY  
5.963.0002.002  
REFER TO DWG 2711  
CUSTOM TAPERED STANDOFF  
3.930.1012.001

INITIAL (10) EMO  
Y4503 ANTENNA  
EL. = 69.5' [21.1M]  
AZ: 50°

CUSTOM TAPERED STANDOFF  
3.930.1012.001

INITIAL (7) GOV  
TETRA MW 2' DISH  
EL. = 67.5' [20.5M]  
AZ: 90°

INSTALLED ON CUSTOM  
TAPERED STANDOFF  
3.930.1013.001

PLAN VIEW @ 63.0'

PLAN VIEW @ 69.5' & 67.5'



REV.	BY: REV.	BY: CHK.	DESCRIPTION	DATE
A	ON	MP	ISSUE FOR CONSTRUCTION	04 MAY 20

REFERENCE DRAWINGS:

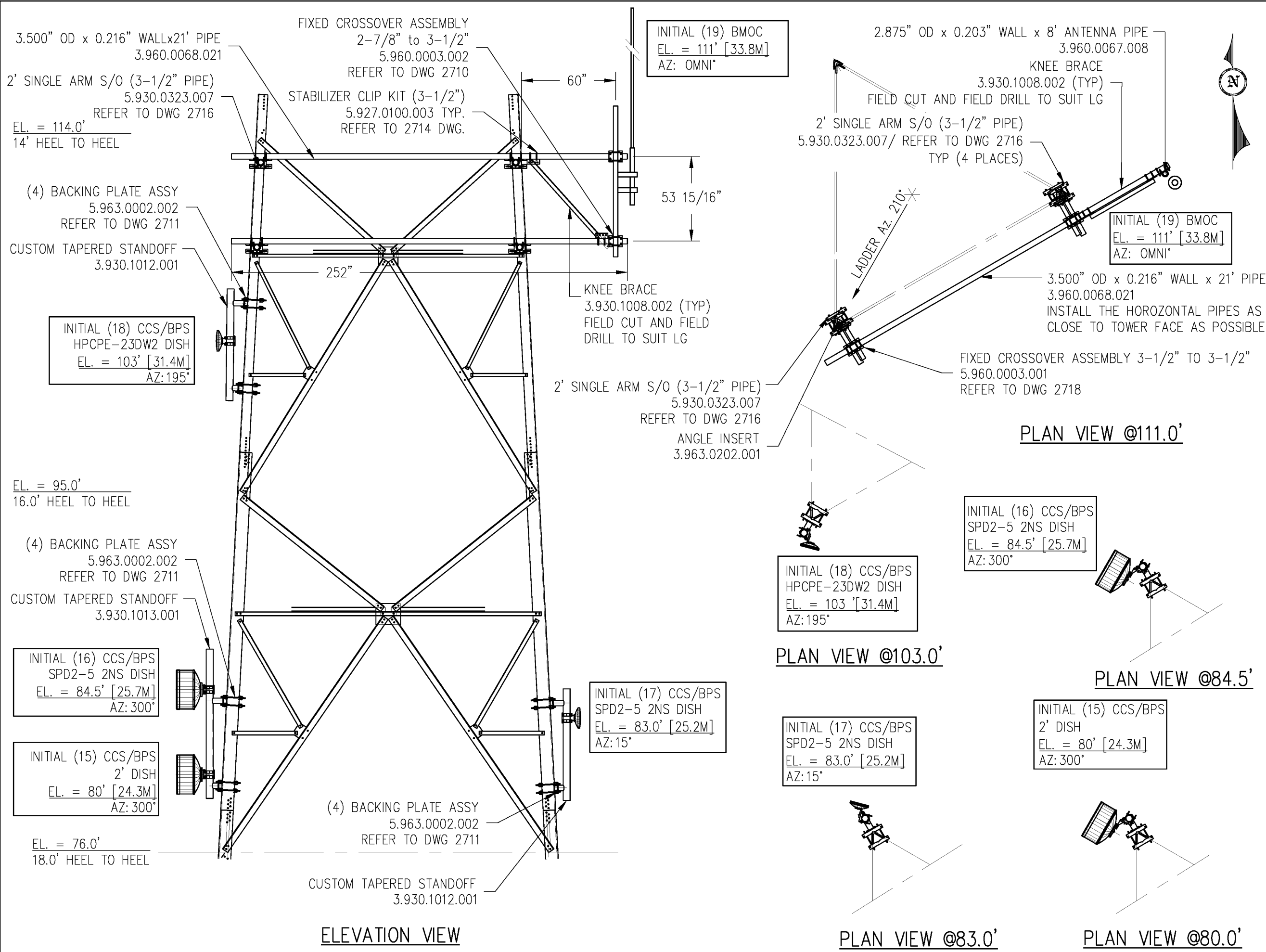
DRAWING NUMBER	DRAWING NUMBER
2701	
2711	
2717	

CONFIDENTIAL: ALL INTELLECTUAL PROPERTY RIGHTS HEREIN ARE THE PROPERTY OF TRYLON INC. ALL DUPLICATION, RECORDING, DISCLOSURE OR USE IS PROHIBITED WITHOUT WRITTEN CONSENT OF TRYLON INC.

DRAWING NO.  
159737.319.2703

NOTES: 1) REFER TO DWG 2701 FOR ELEVATION VIEW.

CUSTOMER: GOV OF BERMUDA	SITE: DEVONSHIRE PARISH	SCALE: 60.000
DATE: 04 MAY 20	BY: ON	CHK: MP
APP: ZA		
TITLE: ANTENNA MOUNT DETAILS		




REV.	BY: REV.	BY: CHK.	DESCRIPTION	DATE
A	ON	MP	ISSUE FOR CONSTRUCTION	07 MAY 20

NOTES:

REFERENCE DRAWINGS:

DRAWING NUMBER	DRAWING NUMBER
2710	
2711	
2714	
2716	
2718	

CONFIDENTIAL: ALL INTELLECTUAL PROPERTY RIGHTS HEREIN ARE THE PROPERTY OF TRYLON INC. ALL DUPLICATION, RECORDING, DISCLOSURE OR USE IS PROHIBITED WITHOUT WRITTEN CONSENT OF TRYLON INC



DRAWING NO.  
159737.319.2704

CUSTOMER: GOV OF BERMUDA  
SITE: DEVONSHIRE PARISH  
SCALE: 60.000

DATE: 07 MAY 20  
BY: ON  
CHK: MP  
APP: ZA

TITLE:  
ANTENNA MOUNT DETAILS

2-7/8" x 8' ANTENNA PIPE  
3.960.0067.008  
KNEE BRACE  
3.930.1008.002 (TYP)  
FIELD CUT AND FIELD DRILL

EL. = 152.0'  
10' HEEL TO HEEL

FIXED CROSSOVER ASSEMBLY  
2-7/8" to 3-1/2"  
5.960.0003.002  
REFER TO DWG 2710

INITIAL (22) BMOC  
EL. = 143' [43.5M]  
AZ: OMNI\*

2' SINGLE ARM S/O (3-1/2" PIPE)  
5.930.0323.007  
REFER TO DWG 2716  
TYP (4 PLACES)

FIXED CROSSOVER ASSEMBLY 3-1/2" TO 3-1/2"  
5.960.0003.001  
REFER TO DWG 2718

3.500" OD x 0.216" WALL x 17' PIPE  
3.960.0068.017

STABILIZER CLIP KIT (3-1/2")  
5.927.0100.003 TYP.  
REFER TO 2714 DWG.

FIXED CROSSOVER ASSEMBLY 3-1/2" TO 3-1/2"  
5.960.0003.001  
REFER TO DWG 2718

EL. = 133.0'  
12' HEEL TO HEEL

2.875" OD x 0.203" WALL x 8' ANTENNA PIPE  
3.960.0067.008

3.500" OD x 0.216" WALL x 21' PIPE  
3.960.0068.021

KNEE BRACE 3.930.1008.002 (TYP)  
FIELD CUT AND FIELD DRILL IF NEEDED TO SUIT LG

FIXED CROSSOVER ASSEMBLY 2-7/8" to 3-1/2"  
5.960.0003.002  
REFER TO DWG 2710

2' SINGLE ARM S/O (3-1/2" PIPE)  
5.930.0323.007  
REFER TO DWG 2716

INITIAL (20) IRIE FM  
2 BAY FM: 2' T X 2' W X 2' L  
EL. = 115'-125'

EL. = 114.0'  
14' HEEL TO HEEL

STABILIZER CLIP KIT (3-1/2")  
5.927.0100.003 TYP.  
REFER TO 2714 DWG.

FIXED CROSSOVER ASSEMBLY 3-1/2" TO 3-1/2"  
5.960.0003.001  
REFER TO DWG 2718

REV.	BY: REV.	BY: CHK.	DESCRIPTION	DATE
A	ON	MP	ISSUE FOR CONSTRUCTION	11 MAY 20

NOTES:  
1) REFER TO DWG 2708 FOR PLAN VIEW @ 115' & 143'

REFERENCE DRAWINGS:	
DRAWING NUMBER	DRAWING NUMBER
2708	
2710	
2714	
2716	
2718	

CONFIDENTIAL: ALL INTELLECTUAL PROPERTY RIGHTS HEREIN ARE THE PROPERTY OF TRYLON INC. ALL DUPLICATION, RECORDING, DISCLOSURE OR USE IS PROHIBITED WITHOUT WRITTEN CONSENT OF TRYLON INC



DRAWING NO.  
159737.319.2705

CUSTOMER: GOV OF BERMUDA SITE: DEVONSHIRE PARISH SCALE: 60.000

DATE: 07 MAY 20 BY: ON CHK: MP APP: ZA

TITLE:  
ANTENNA MOUNT DETAILS

EL. = 171.0'  
8' HEEL TO HEEL

INITIAL (23) GOV  
LTE PANELS  
EL. = 153' [46.6M]  
AZ. 0°



INITIAL (23) GOV  
LTE PANELS  
EL. = 153' [46.6M]  
AZ. 0°, 90°, 270°

EL. = 152.0'  
10' HEEL TO HEEL

ADJ. PARALLEL CLAMP ASS'Y  
5.960.0010.018 (TYP)  
REFER TO DWG 2717

INITIAL (23) GOV  
LTE PANELS  
EL. = 153' [46.6M]  
AZ. 270°

HD 1' TAPERED STANDOFF  
5.930.0107.012  
REFER TO DWG 2715

ADJ. PARALLEL CLAMP ASS'Y  
5.960.0010.018 (TYP)  
REFER TO DWG 2717

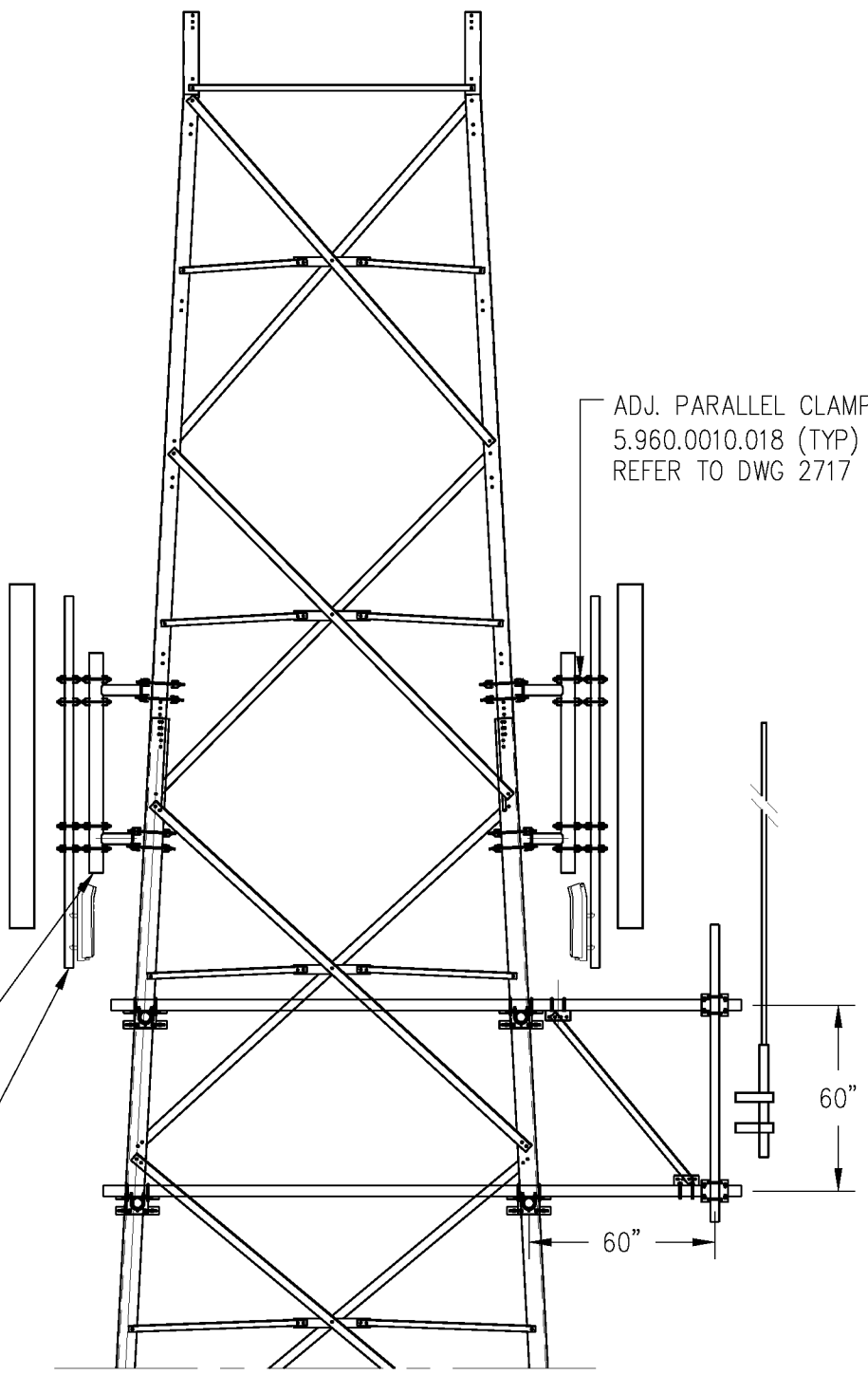
INITIAL (23) GOV  
LTE PANELS  
EL. = 153' [46.6M]  
AZ. 90°

2-7/8" OD x 8' PIPE  
3.960.0067.008

INITIAL (22) BMOC  
EL. = 143' [43.5M]  
AZ: OMNI°  
REFER TO DWG 2705/2708

HD 1' TAPERED STANDOFF  
5.930.0107.012  
REFER TO DWG 2715

2-7/8" OD x 8' PIPE  
3.960.0067.008




REV.	BY: REV.	BY: CHK.	DESCRIPTION	DATE
A	ON	MP	ISSUE FOR CONSTRUCTION	11 MAY 20

REFERENCE DRAWINGS:

DRAWING NUMBER	DRAWING NUMBER
2705	
2708	
2715	
2717	

CONFIDENTIAL: ALL INTELLECTUAL PROPERTY RIGHTS HEREIN ARE THE PROPERTY OF TRYLON INC. ALL DUPLICATION, RECORDING, DISCLOSURE OR USE IS PROHIBITED WITHOUT WRITTEN CONSENT OF TRYLON INC

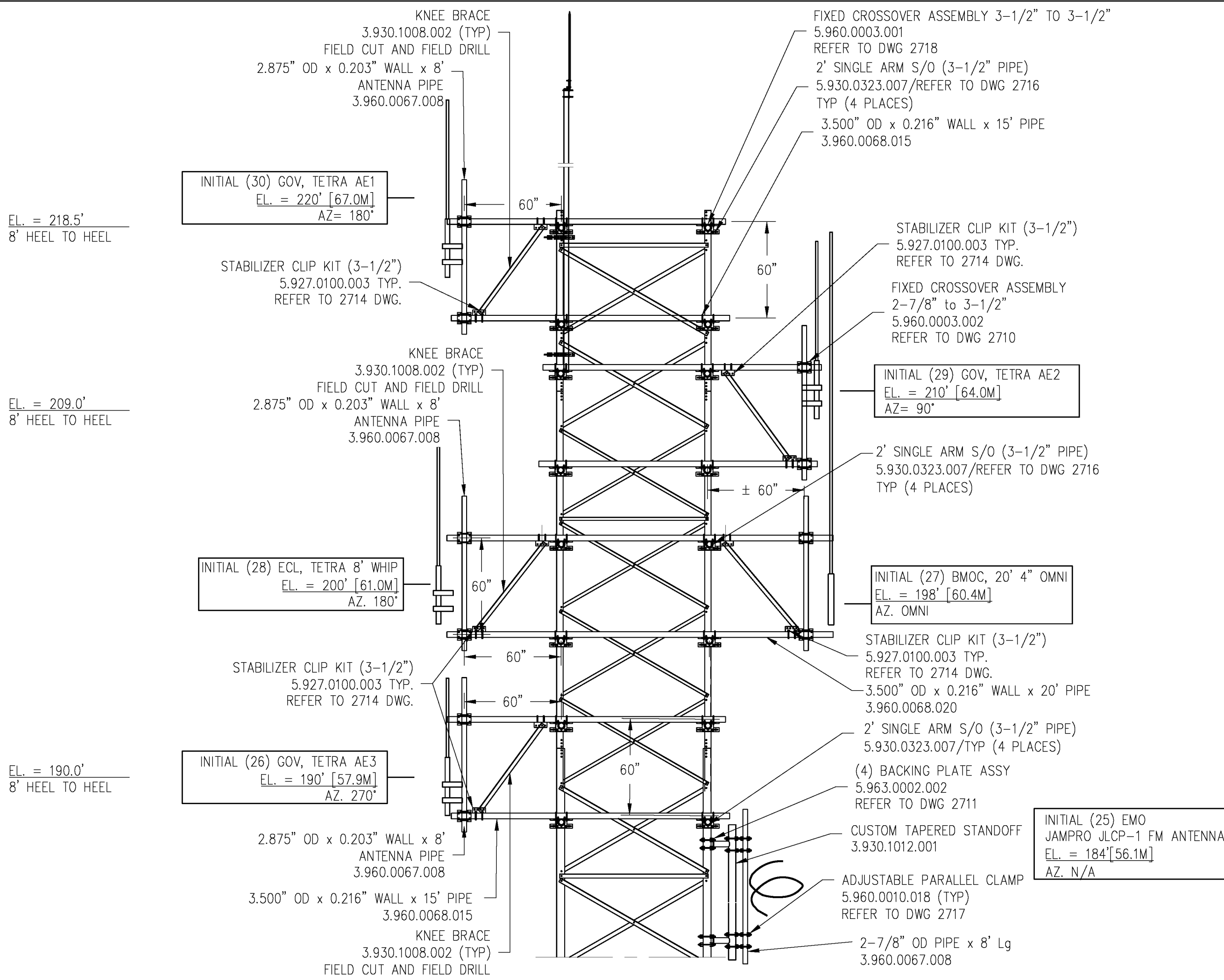


DRAWING NO.  
159737.319.2706

CUSTOMER: GOV OF BERMUDA	SITE: DEVONSHIRE PARISH	SCALE: 60.000
DATE: 07 MAY 20	BY: ON	CHK: MP
		APP: ZA

TITLE:  
ANTENNA MOUNT DETAILS

NOTES:



REV.	BY: REV.	BY: CHK.	DESCRIPTION	DATE
A	ON	MP	ISSUE FOR CONSTRUCTION	11 MAY 20


NOTES:

1) REFER TO DWG 2709 FOR:  
 PLAN VIEW @ 220.0'  
 PLAN VIEW @ 210.0'  
 PLAN VIEW @ 198.0' & 200.0'  
 PLAN VIEW @ 190.0'

REFERENCE DRAWINGS:

DRAWING NUMBER	DRAWING NUMBER
2709	
2710	
2711	
2714	
2716	
2717	
2718	

CONFIDENTIAL: ALL INTELLECTUAL PROPERTY RIGHTS HEREIN ARE THE PROPERTY OF TRYLON INC. ALL DUPLICATION, RECORDING, DISCLOSURE OR USE IS PROHIBITED WITHOUT WRITTEN CONSENT OF TRYLON INC

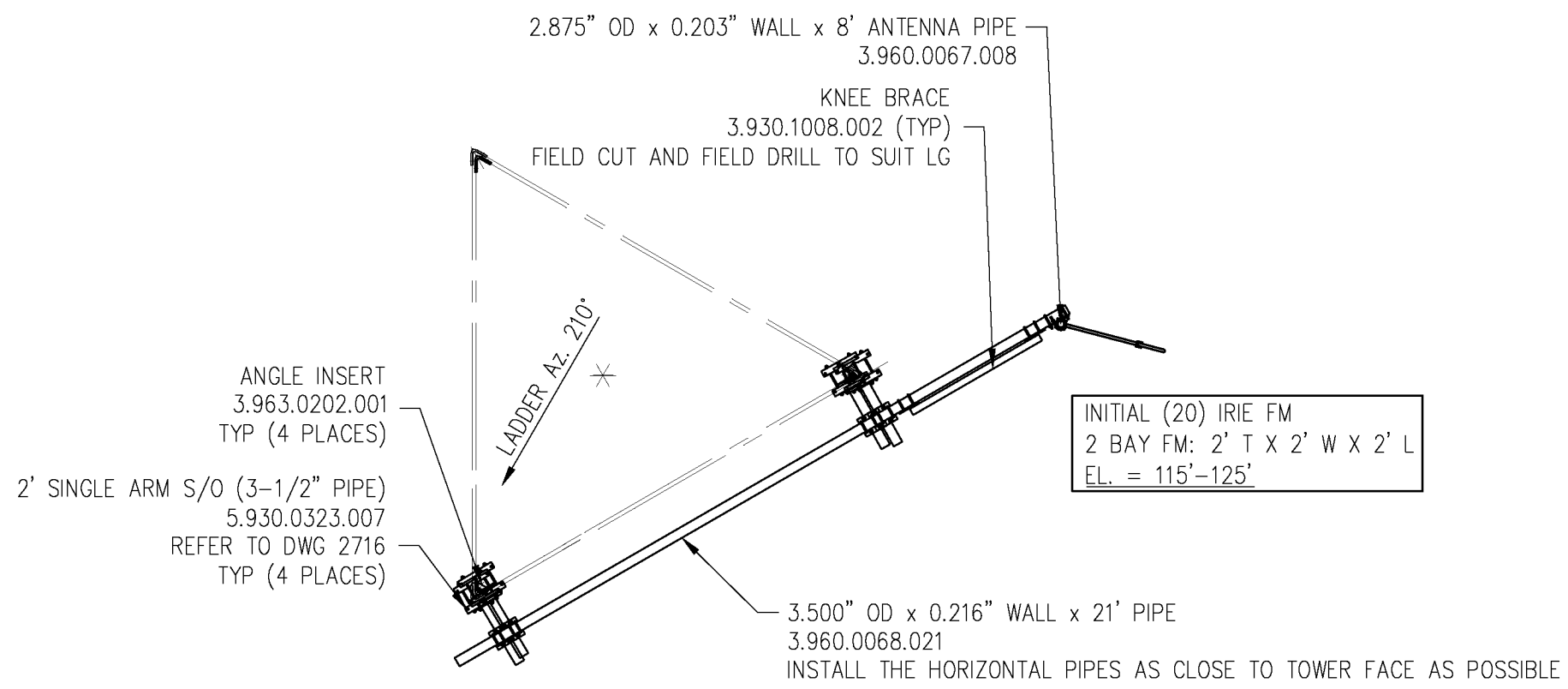


DRAWING NO. 159737.319.2707

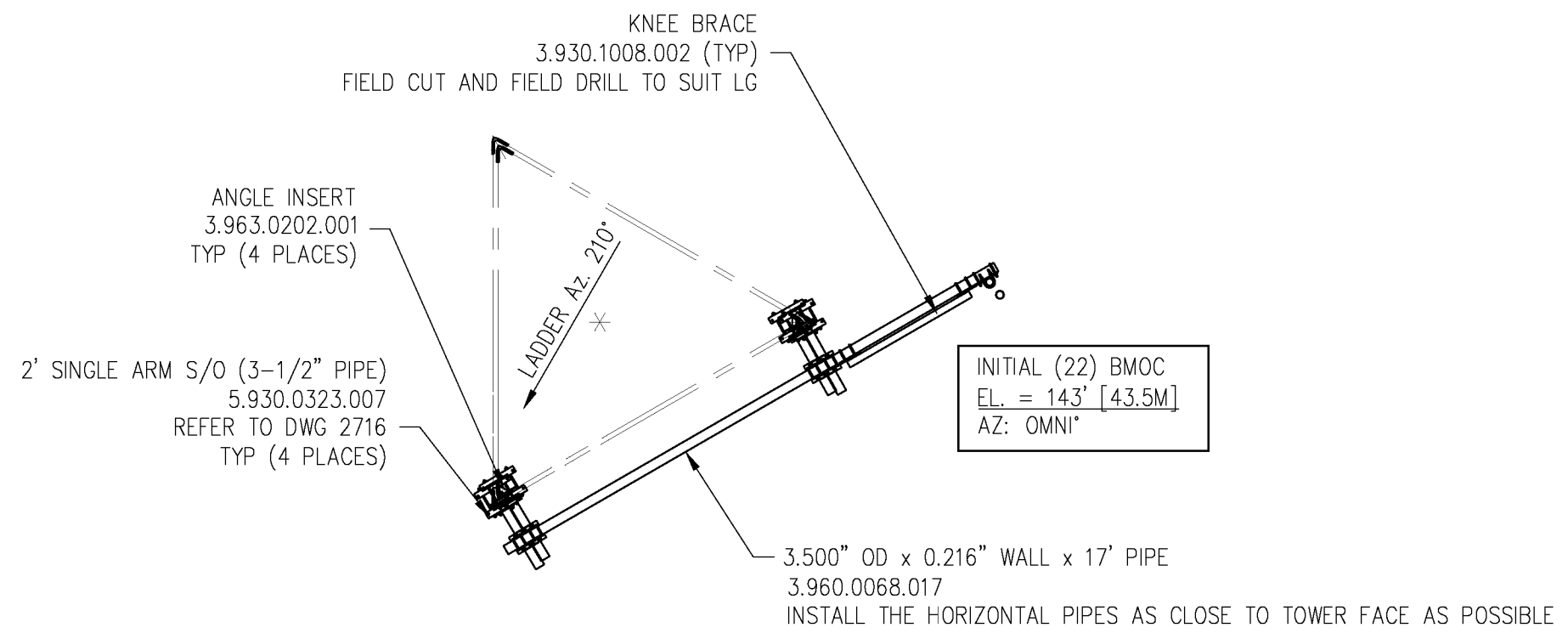
CUSTOMER: GOV OF BERMUDA SITE: DEVONSHIRE PARISH SCALE: 60.000

DATE: 07 MAY 20 BY: ON CHK: MP APP: ZA

TITLE: ANTENNA MOUNT DETAILS



PLAN VIEW @115.0'



PLAN VIEW @143.0'




REV.	BY: REV.	BY: CHK.	DESCRIPTION	DATE
A	ON	MP	ISSUE FOR CONSTRUCTION	11 MAY 20

NOTES:  
1) REFER TO DWG 2705 FOR ELEVATION VIEW.

REFERENCE DRAWINGS:

DRAWING NUMBER	DRAWING NUMBER
2705	
2716	

CONFIDENTIAL: ALL INTELLECTUAL PROPERTY RIGHTS HEREIN ARE THE PROPERTY OF TRYLON INC. ALL DUPLICATION, RECORDING, DISCLOSURE OR USE IS PROHIBITED WITHOUT WRITTEN CONSENT OF TRYLON INC

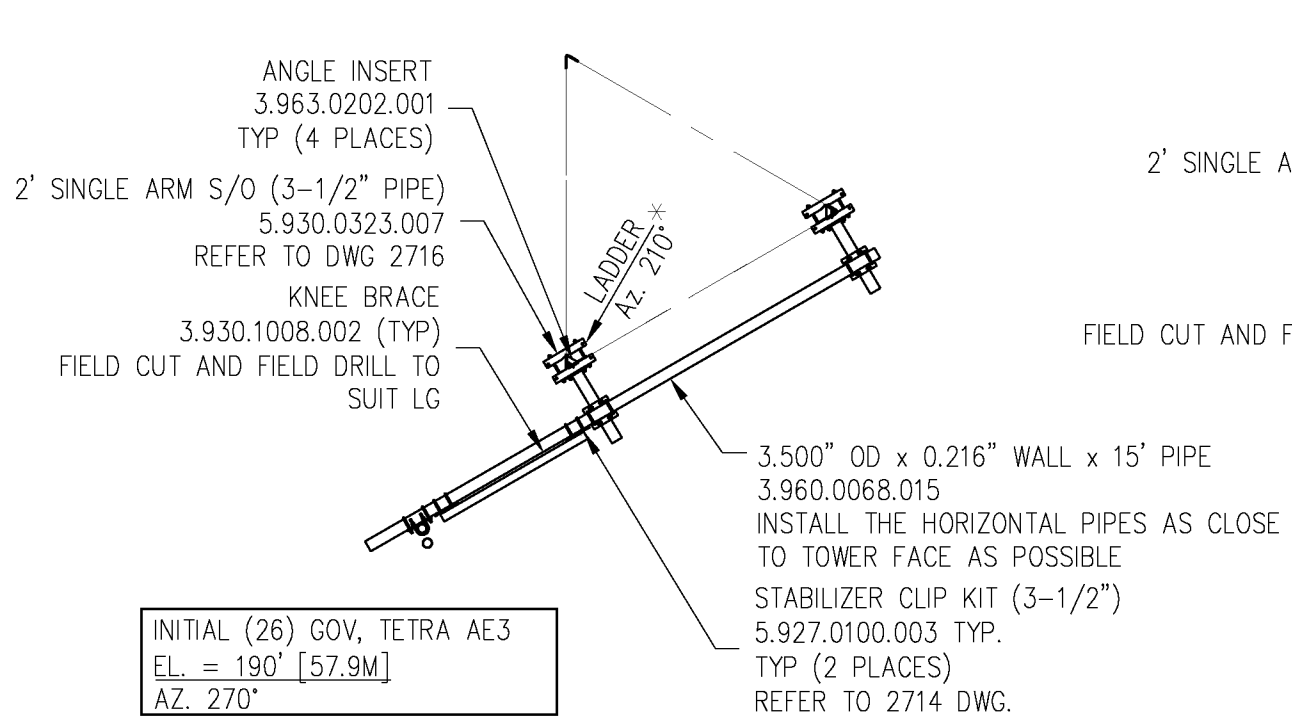


DRAWING NO. 159737.319.2708

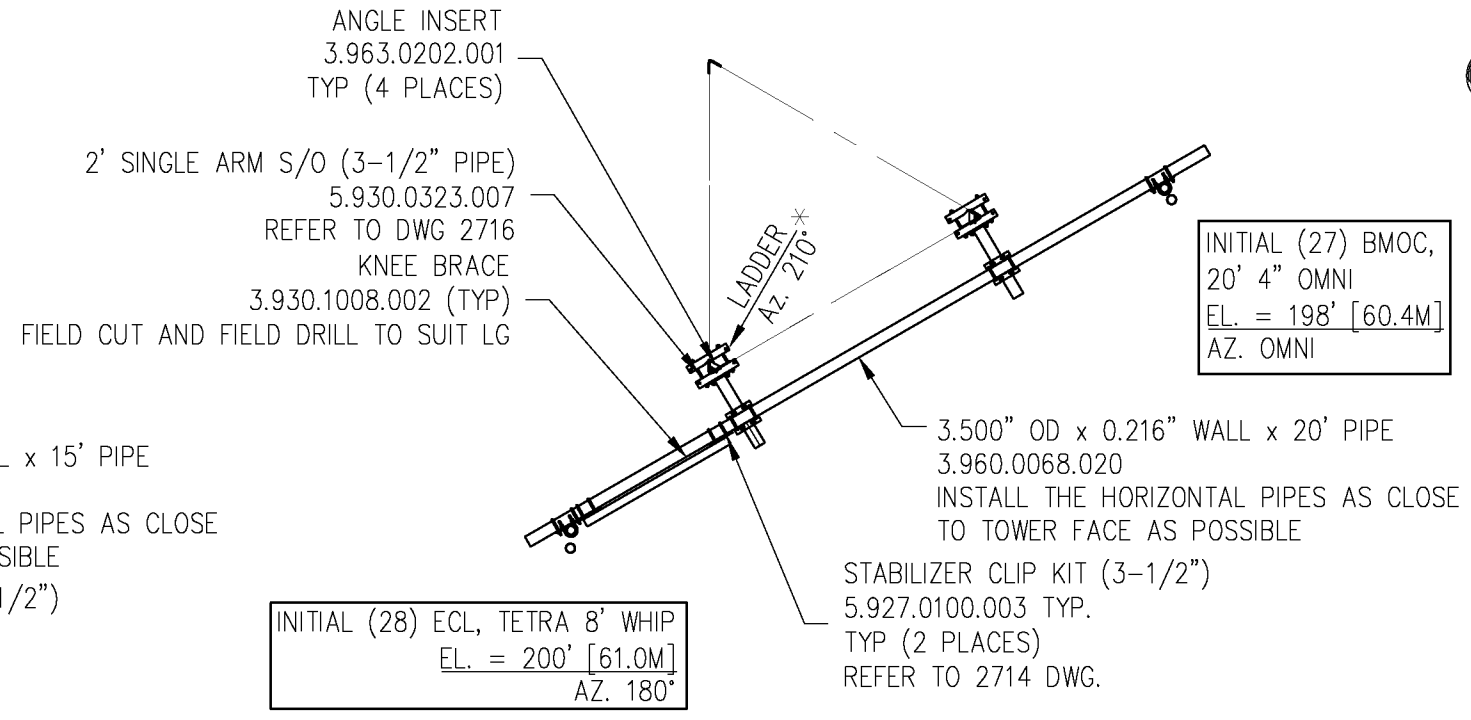
CUSTOMER: GOV OF BERMUDA    SITE: DEVONSHIRE PARISH    SCALE: 60.000

DATE: 07 MAY 20    BY: ON    CHK: MP    APP: ZA

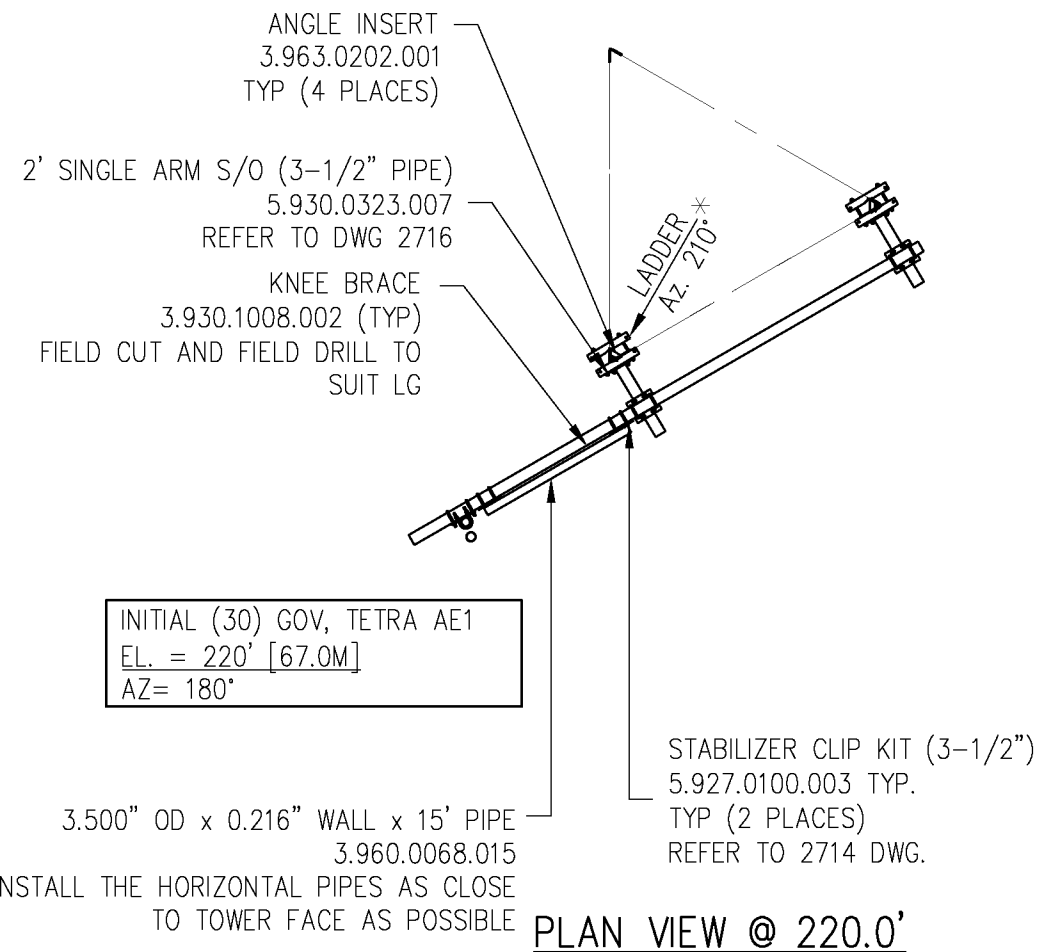
TITLE: ANTENNA MOUNT DETAILS



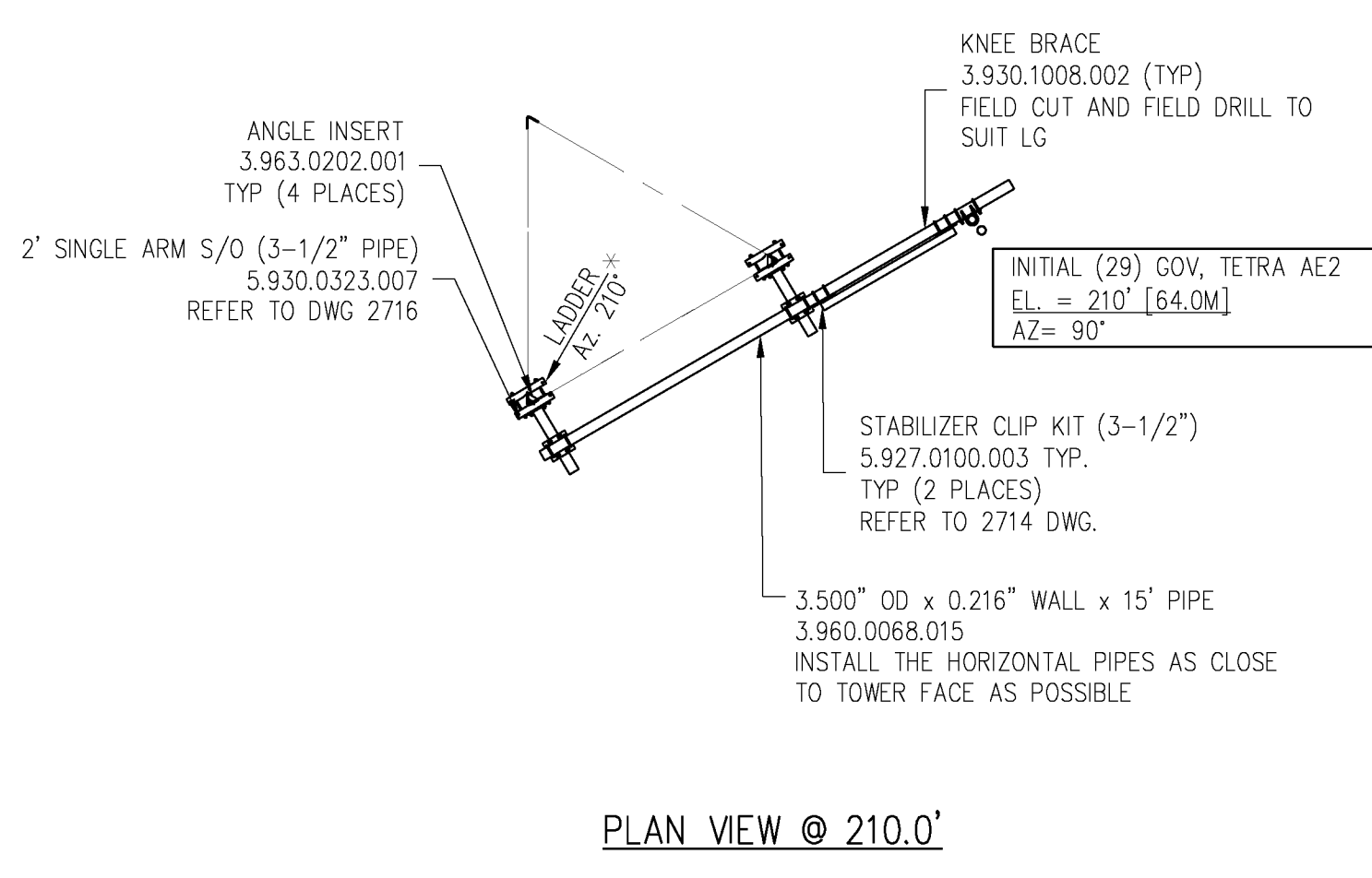
PLAN VIEW @ 190.0'



PLAN VIEW @ 198.0' & 200.0'



PLAN VIEW @ 220.0'



PLAN VIEW @ 210.0'



REV.	BY: REV.	BY: CHK.	DESCRIPTION	DATE
A	ON	MP	ISSUE FOR CONSTRUCTION	11 MAY 20

NOTES:  
 1) REFER TO DWG 2707 FOR ELEVATION VIEW.

REFERENCE DRAWINGS:	
DRAWING NUMBER	DRAWING NUMBER
2707	
2714	
2716	

INITIAL (26) GOV, TETRA AE3  
 EL. = 190' [57.9M]  
 AZ. 270°

INITIAL (28) ECL, TETRA 8' WHIP  
 EL. = 200' [61.0M]  
 AZ. 180°

INITIAL (27) BMOC,  
 20' 4" OMNI  
 EL. = 198' [60.4M]  
 AZ. OMNI

INITIAL (29) GOV, TETRA AE2  
 EL. = 210' [64.0M]  
 AZ= 90°

INITIAL (30) GOV, TETRA AE1  
 EL. = 220' [67.0M]  
 AZ= 180°

CONFIDENTIAL: ALL INTELLECTUAL PROPERTY RIGHTS HEREIN ARE THE PROPERTY OF TRYLON INC. ALL DUPLICATION, RECORDING, DISCLOSURE OR USE IS PROHIBITED WITHOUT WRITTEN CONSENT OF TRYLON INC



DRAWING NO.  
 159737.319.2709

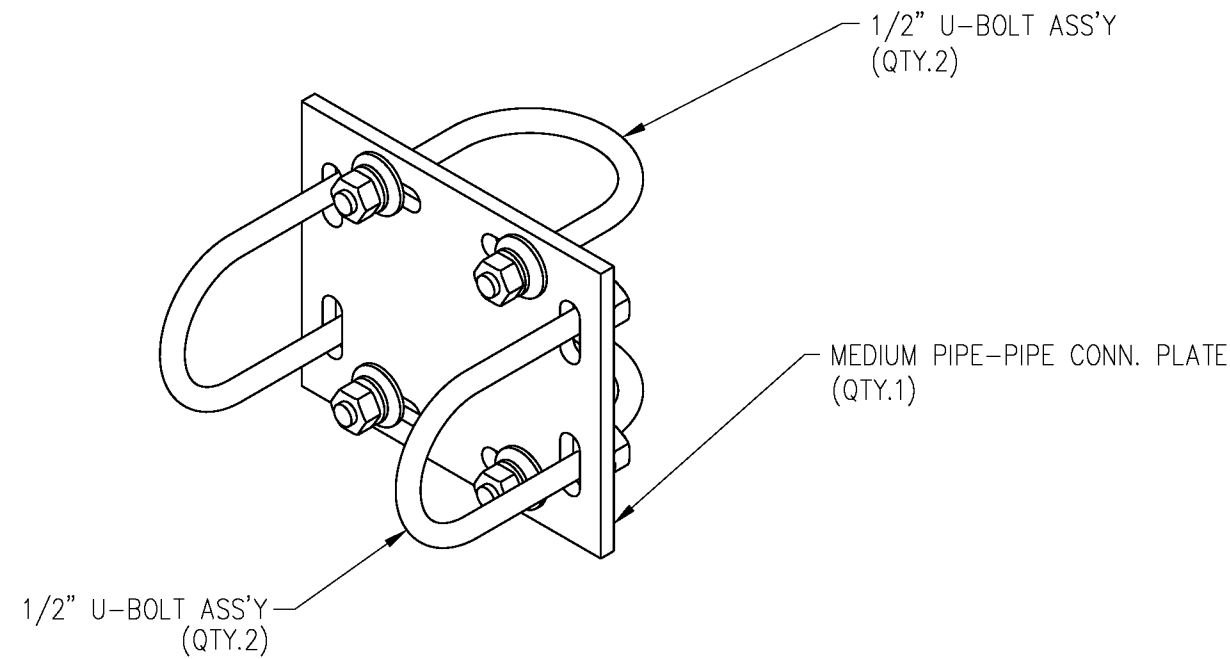
CUSTOMER: GOV OF BERMUDA	SITE: DEVONSHIRE PARISH	SCALE: 60.000
DATE: 07 MAY 20	BY: ON	CHK: MP
		APP: ZA

TITLE:  
 ANTENNA MOUNT DETAILS



# FIXED CROSSOVER ASSEMBLY

KIT NUMBER 5.960.0003.002



FIXED CROSSOVER ASSEMBLY 2-7/8" to 3-1/2" (5.960.0003.002)


- (2) 4.963.0001.206 1/2" U-BOLT ASS'Y (3-1/2" DIA)
- (2) 4.963.0001.208 1/2" U-BOLT ASS'Y (3" DIA)
- (1) 3.930.0338.002 MEDIUM PIPE-PIPE CONN PLATE

REV.	BY: REV.	BY: CHK.	DESCRIPTION	DATE
A	ON	MP	ISSUE FOR CONSTRUCTION	25 MAY 20

REFERENCE DRAWINGS:

DRAWING NUMBER	DRAWING NUMBER

CONFIDENTIAL: ALL INTELLECTUAL PROPERTY RIGHTS HEREIN ARE THE PROPERTY OF TRYLON INC. ALL DUPLICATION, RECORDING, DISCLOSURE OR USE IS PROHIBITED WITHOUT WRITTEN CONSENT OF TRYLON INC



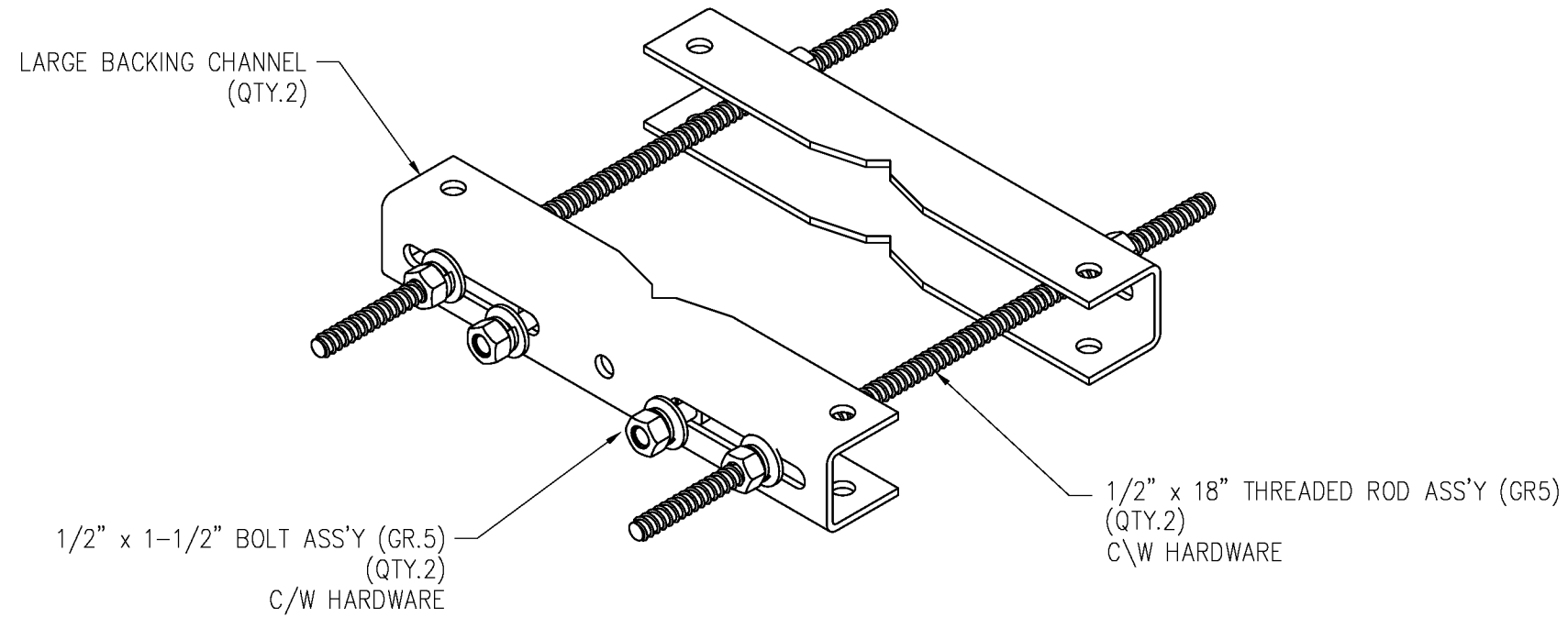
DRAWING NO.  
159737.319.2710

NOTES:

CUSTOMER: GOV OF BERMUDA	SITE: DEVONSHIRE PARISH	SCALE: 1.000
DATE: 25 MAY 20	BY: ON	CHK: MP
APP: ZA		TITLE: FIXED CROSSOVER ASSEMBLY

# LARGE BACKING 'B' CHANNEL ASSEMBLY

KIT NUMBER 5.963.0002.002



LARGE BACKING CHANNEL 'B' ASSEMBLY (5.963.0002.002)

- |     |                |                              |
|-----|----------------|------------------------------|
| (2) | 3.963.0183.001 | LARGE BACKING CHANNEL        |
| (2) | 1202021        | 1/2" x 1-1/2" BOLT ASS'Y     |
| (2) | 4.963.0019.218 | 1/2" x 18" THREADED ROD ASSY |

REV.	BY: REV.	BY: CHK.	DESCRIPTION	DATE
A	ON	MP	ISSUE FOR CONSTRUCTION	11 MAY 20

REFERENCE DRAWINGS:	
DRAWING NUMBER	DRAWING NUMBER

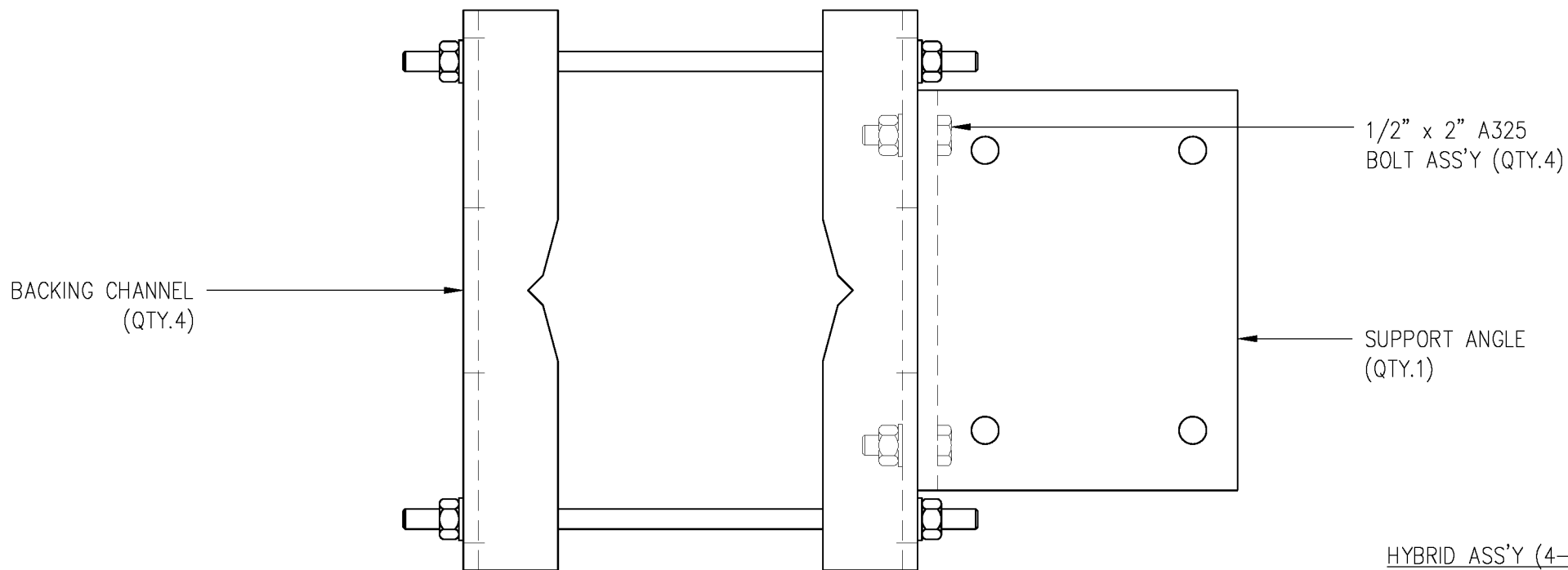
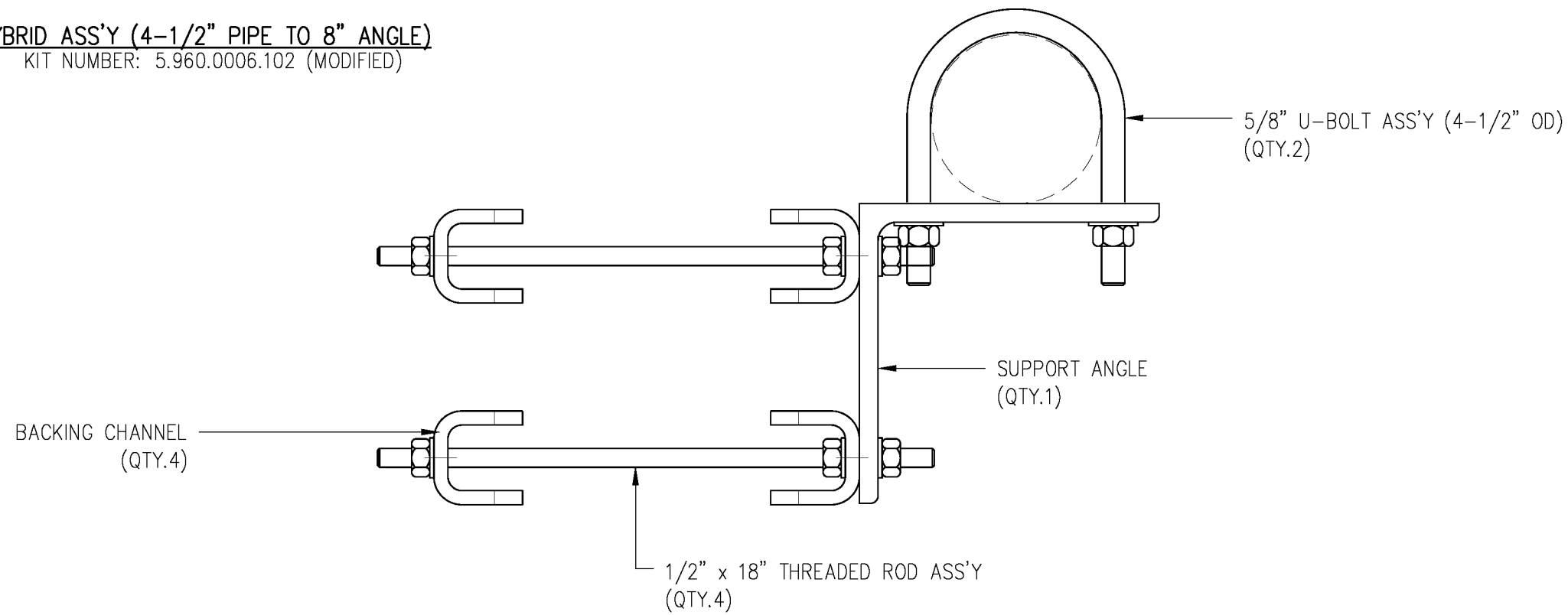
CONFIDENTIAL: ALL INTELLECTUAL PROPERTY RIGHTS HEREIN ARE THE PROPERTY OF TRYLON INC. ALL DUPLICATION, RECORDING, DISCLOSURE OR USE IS PROHIBITED WITHOUT WRITTEN CONSENT OF TRYLON INC	 <b style="font-size: 24px;">Trylon</b>
DRAWING NO. <span style="font-size: 24px; font-weight: bold;">159737.319.2711</span>	

NOTES:

CUSTOMER: GOV OF BERMUDA	SITE: DEVONSHIRE PARISH	SCALE: 1.000
DATE: 04 MAY 20	BY: ON	CHK: MP
APP: ZA		TITLE: LARGE BACKING 'B' CHANNEL ASS'Y

**HYBRID ASS'Y (4-1/2" PIPE TO 8" ANGLE)**

KIT NUMBER: 5.960.0006.102 (MODIFIED)



**HYBRID ASS'Y (4-1/2" PIPE TO 8" ANGLE)**


- (1) 3.146812.9000.001 SUPPORT ANGLE
- (4) 3.146812.9001.001 BACKING CHANNEL
- (2) 4.963.0001.012 5/8" U-BOLT ASS'Y (4-1/2" OD)
- (4) 4.963.0019.218 1/2" x 18" THREADED ROD ASS'Y
- (4) 1202023 1/2" x 2" A325 BOLT ASS'Y

REV.	BY: REV.	BY: CHK.	DESCRIPTION	DATE
A	ON	MP	ISSUE FOR CONSTRUCTION	11 MAY 20

REFERENCE DRAWINGS:

DRAWING NUMBER	DRAWING NUMBER

CONFIDENTIAL: ALL INTELLECTUAL PROPERTY RIGHTS HEREIN ARE THE PROPERTY OF TRYLON INC. ALL DUPLICATION, RECORDING, DISCLOSURE OR USE IS PROHIBITED WITHOUT WRITTEN CONSENT OF TRYLON INC.

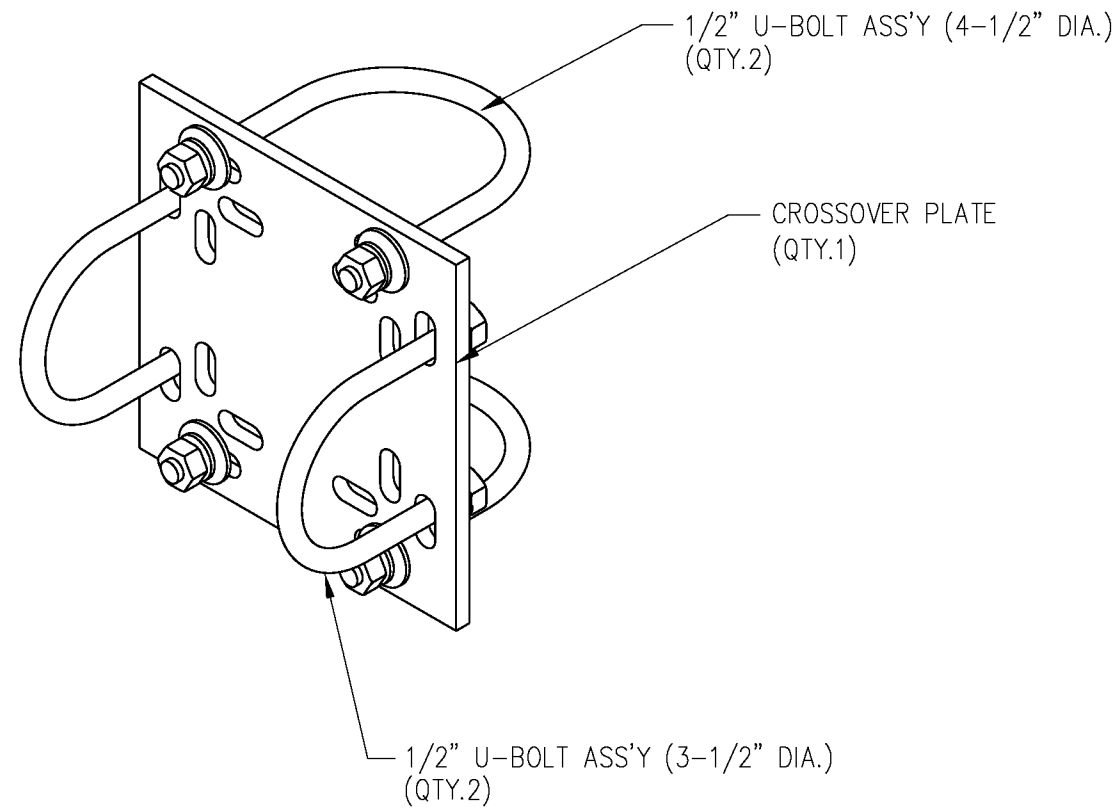


DRAWING NO.  
**159737.319.2712**

NOTES:

CUSTOMER: GOV OF BERMUDA	SITE: DEVONSHIRE PARISH	SCALE: 4.0000
DATE: 4 MAY 20	BY: ON	CHK: MP
TITLE: HYB. ASS'Y 4-1/2" OD- 8" ANG.		APP: ZA

**FIXED CROSSOVER ASSEMBLY**  
 KIT NUMBER 5.960.0004.002




- FIXED CROSSOVER ASSEMBLY 3-1/2" to 4-1/2" (5.960.0004.002)  
 (2) 4.963.0001.206 1/2" U-BOLT ASS'Y (3-1/2" DIA.)  
 (2) 4.963.0001.207 1/2" U-BOLT ASS'Y (4-1/2" DIA.)  
 (1) 3.930.0338.001 LARGE PIPE-PIPE CONN PLATE

REV.	BY: REV.	BY: CHK.	DESCRIPTION	DATE
A	ON	MP	ISSUE FOR CONSTRUCTION	11 MAY 20

REFERENCE DRAWINGS:

DRAWING NUMBER	DRAWING NUMBER

CONFIDENTIAL: ALL INTELLECTUAL PROPERTY RIGHTS HEREIN ARE THE PROPERTY OF TRYLON INC. ALL DUPLICATION, RECORDING, DISCLOSURE OR USE IS PROHIBITED WITHOUT WRITTEN CONSENT OF TRYLON INC.



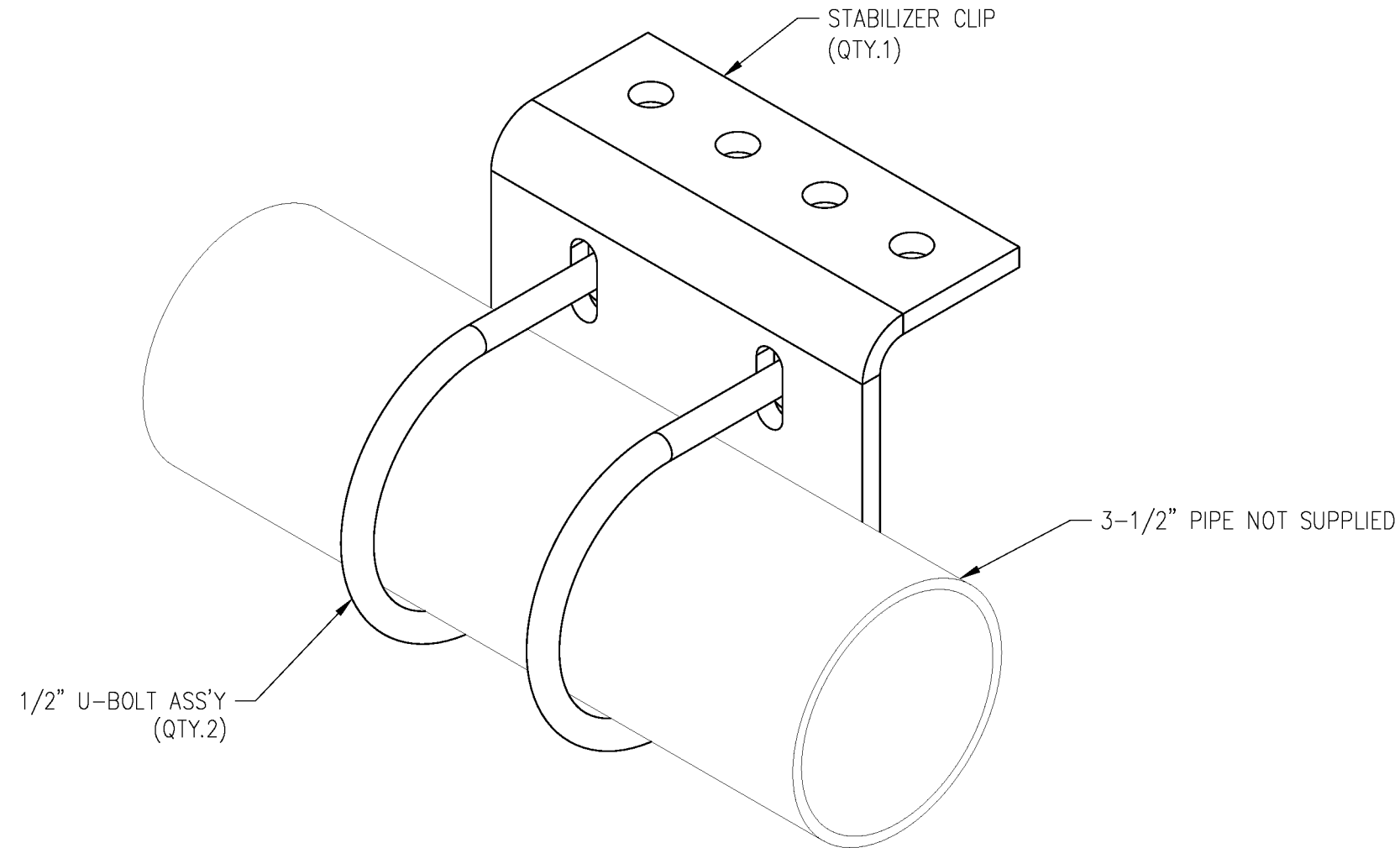
DRAWING NO.  
159737.319.2713

NOTES:

CUSTOMER: GOV OF BERMUDA	SITE: DEVONSHIRE PARISH	SCALE: 1.000
DATE: 04 MAY 20	BY: ON	CHK: MP
APP: ZA		TITLE: FIXED CROSSOVER ASSEMBLY

# STABILIZER CLIP KIT (3-1/2")

KIT NUMBER 5.927.0100.003




STABILIZER CLIP KIT FITS 3-1/2" PIPES (5.927.0100.003)

- (1) 3.927.0428.001 STABILIZER CLIP
- (2) 4.963.0001.206 1/2" U-BOLT ASSY (3-1/2" DIA.)

REV.	BY: REV.	BY: CHK.	DESCRIPTION	DATE
A	ON	MP	ISSUE FOR CONSTRUCTION	11 MAY 20

REFERENCE DRAWINGS:	
DRAWING NUMBER	DRAWING NUMBER

CONFIDENTIAL: ALL INTELLECTUAL PROPERTY RIGHTS HEREIN ARE THE PROPERTY OF TRYLON INC. ALL DUPLICATION, RECORDING, DISCLOSURE OR USE IS PROHIBITED WITHOUT WRITTEN CONSENT OF TRYLON INC



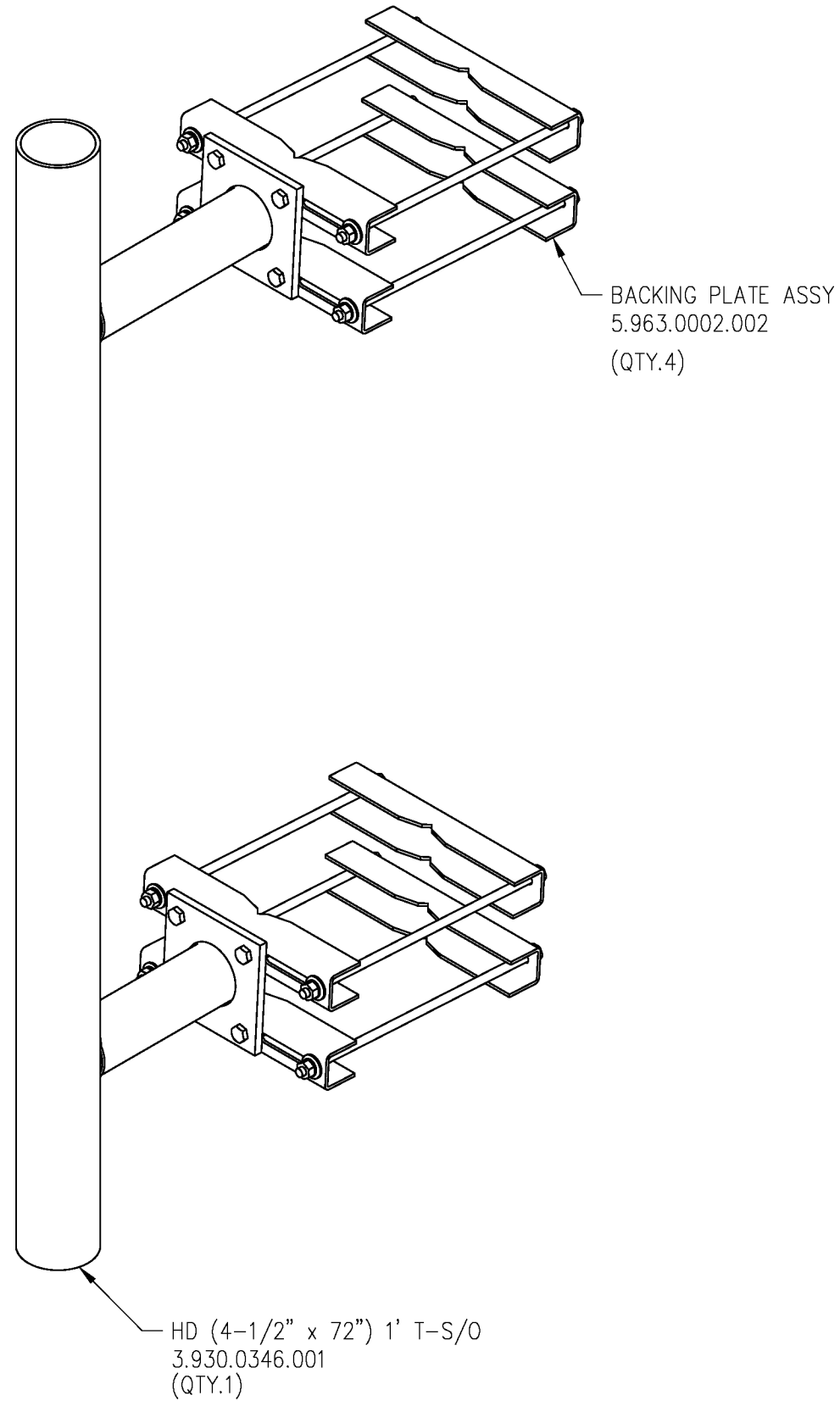
DRAWING NO.  
159737.319.2714

CUSTOMER: GOV OF BERMUDA	SITE: DEVONSHIRE PARISH	SCALE: 1.000
DATE: 04 MAY 20	BY: ON	CHK: MP
APP: ZA		TITLE: STABILIZER CLIP KIT (3-1/2")

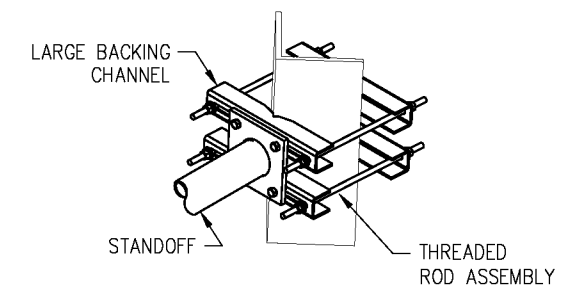
NOTES:

HD (4-1/2" x 72") 1' T-S/O

KIT NUMBER 5.930.0107.012



LARGE BACKING 'B' KIT



- LARGE BACKING CHANNEL 'B' ASSEMBLY (5.963.0002.002)
- (2) 3.963.0183.001 LARGE BACKING CHANNEL
  - (2) 1202021 1/2" x 1-1/2" BOLT ASSY
  - (2) 4.963.0019.218 1/2" x 18" THREADED ROD ASSY

REV.	BY: REV.	BY: CHK.	DESCRIPTION	DATE
A	ON	MP	ISSUE FOR CONSTRUCTION	05 MAY 20

REFERENCE DRAWINGS:

DRAWING NUMBER	DRAWING NUMBER

CONFIDENTIAL: ALL INTELLECTUAL PROPERTY RIGHTS HEREIN ARE THE PROPERTY OF TRYLON INC. ALL DUPLICATION, RECORDING, DISCLOSURE OR USE IS PROHIBITED WITHOUT WRITTEN CONSENT OF TYLON INC.



DRAWING NO.  
159737.319.2715

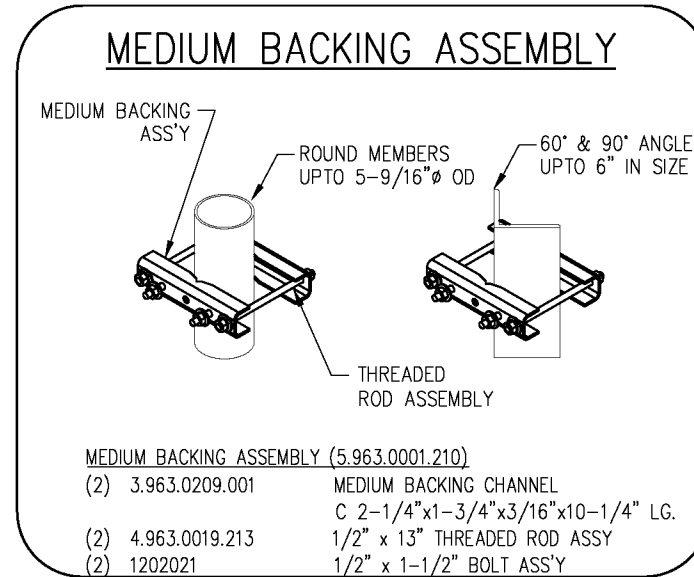
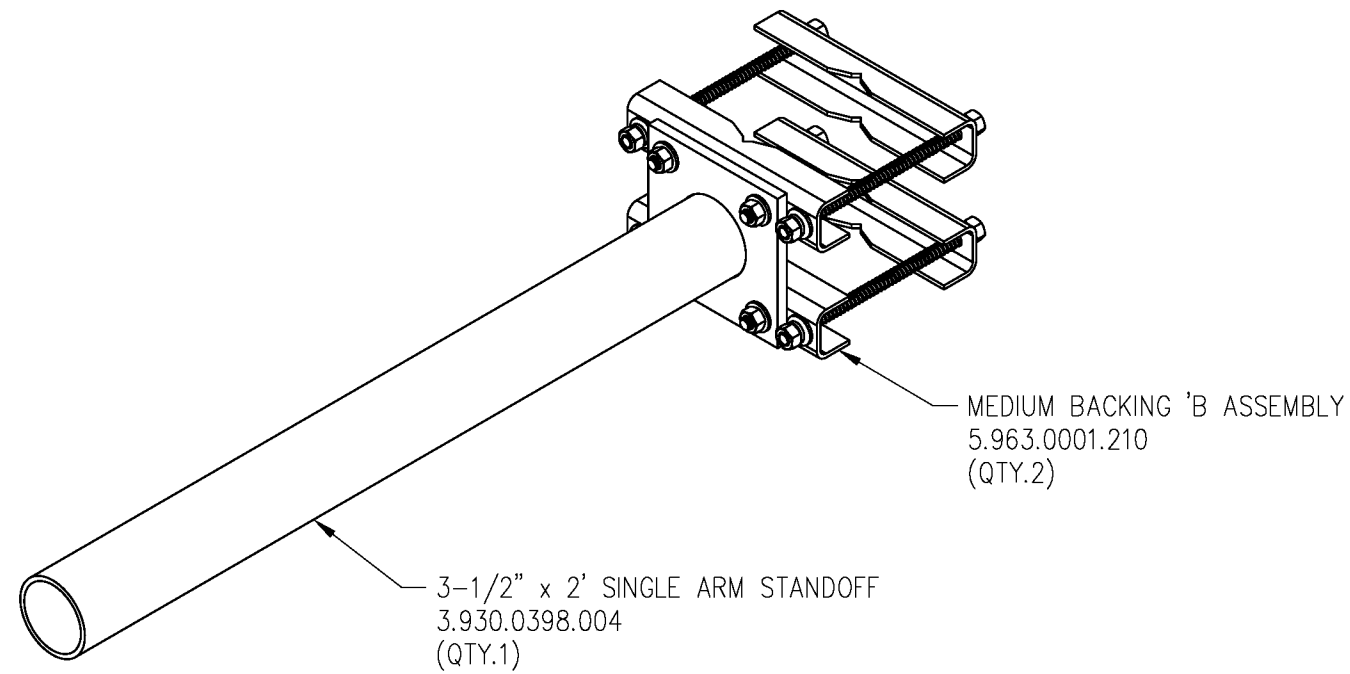
CUSTOMER: GOV OF BERMUDA      SITE: DEVONSHIRE PARISH      SCALE: 1.000

DATE: 05 MAY 20      BY: ON      CHK: MP      APP: ZA

TITLE:  
HD (4-1/2 x 72) 1' T-S/O

NOTES:

2' SINGLE ARM STANDOFF (3-1/2" PIPE) c/w (2) MED. 'B' ASS'Y  
 KIT NUMBER: 5.930.0323.007




REV.	BY: REV.	BY: CHK.	DESCRIPTION	DATE
A	ON	MP	ISSUE FOR CONSTRUCTION	11 MAY 20

REFERENCE DRAWINGS:

DRAWING NUMBER	DRAWING NUMBER

CONFIDENTIAL: ALL INTELLECTUAL PROPERTY RIGHTS HEREIN ARE THE PROPERTY OF TRYLON INC. ALL DUPLICATION, RECORDING, DISCLOSURE OR USE IS PROHIBITED WITHOUT WRITTEN CONSENT OF TYLON INC.



DRAWING NO.  
159737.319.2716

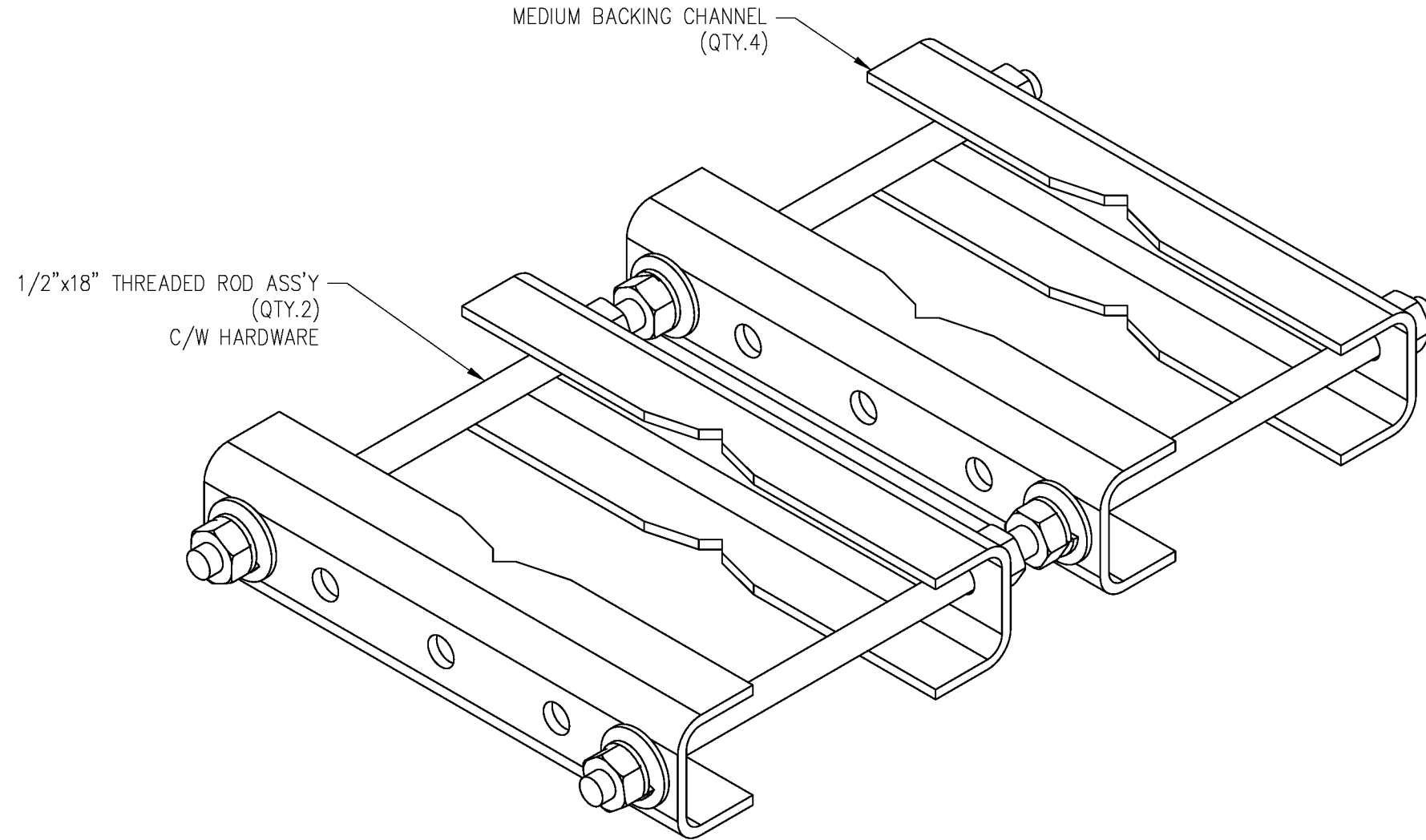
NOTES:

CUSTOMER: GOV OF BERMUDA	SITE: DEVONSHIRE PARISH	SCALE: 1.000
DATE: 11 MAY 20	BY: ON	CHK: MP
APP: ZA		TITLE: 2' SAS (3-1/2" PIPE) MED 'B'



# MEDIUM 18" ADJUSTABLE PARALLEL CLAMP ASS'Y

KIT NUMBER 5.960.0010.018




### MEDIUM 18" ADJUSTABLE PARALLEL CLAMP ASS'Y (5.960.0010.018)

- (4) 3.963.0209.001 MEDIUM BACKING CHANNEL
- (2) 4.963.0019.218 1/2"x18" THREADED ROD ASS'Y
- (4) 1201120 1/2" HEX NUT
- (4) 1201121 1/2" LOCK WASHER
- (4) 1201122 1/2" FLAT WASHER

REV.	BY: REV.	BY: CHK.	DESCRIPTION	DATE
A	ON	MP	ISSUE FOR CONSTRUCTION	11 MAY 20

REFERENCE DRAWINGS:	
DRAWING NUMBER	DRAWING NUMBER

CONFIDENTIAL: ALL INTELLECTUAL PROPERTY RIGHTS HEREIN ARE THE PROPERTY OF TRYLON INC. ALL DUPLICATION, RECORDING, DISCLOSURE OR USE IS PROHIBITED WITHOUT WRITTEN CONSENT OF TRYLON INC.



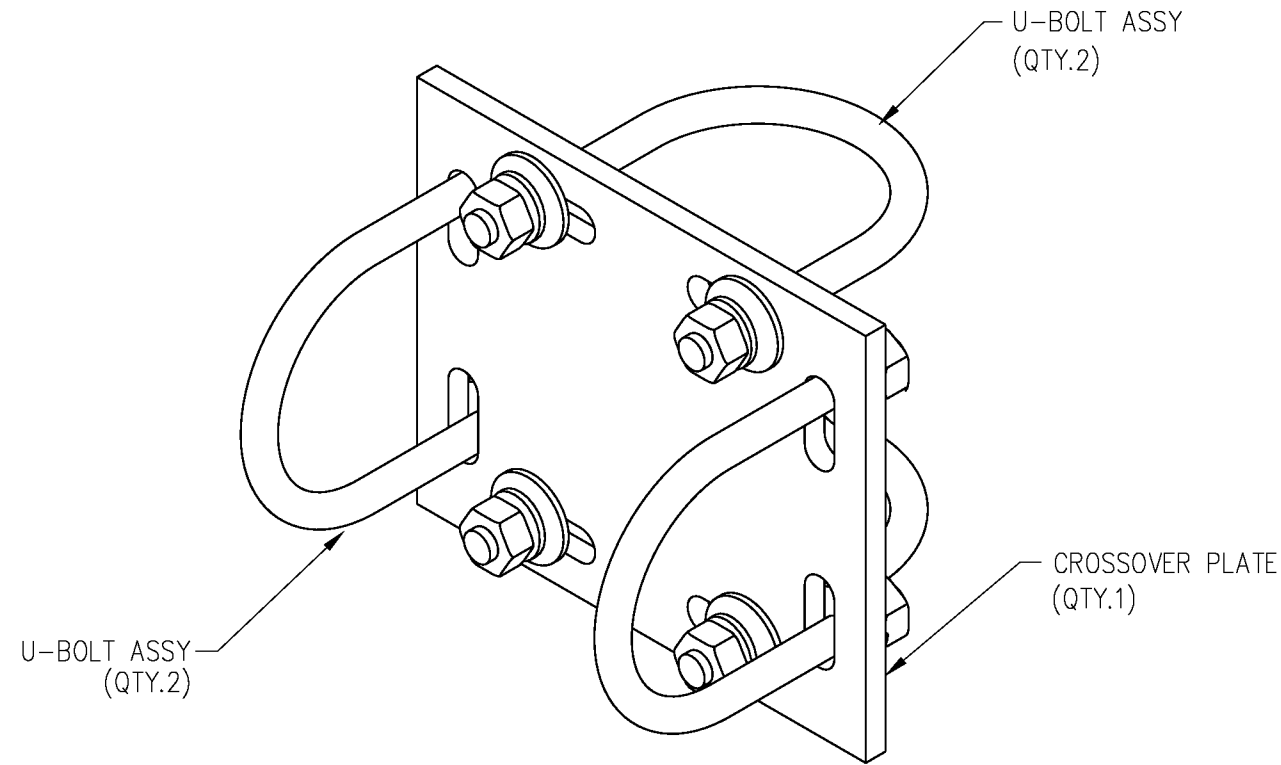
DRAWING NO.  
159737.319.2717

NOTES:

CUSTOMER: GOV OF BERMUDA	SITE: DEVONSHIRE PARISH	SCALE: 1.000
DATE: 11 MAY 20	BY: ON	CHK: MP
APP: ZA		TITLE: MEDIUM ADJ. PARALLEL CLAMP

# FIXED CROSSOVER ASSEMBLY

KIT NUMBER 5.960.0003.001



FIXED CROSSOVER ASSEMBLY 3-1/2" to 3-1/2" (5.960.0003.001)


- (4) 4.963.0001.206 U-BOLT ASSY (3-1/2" PIPE)
- (1) 3.930.0338.002 MEDIUM PIPE-PIPE CONN PLATE

REV.	BY: REV.	BY: CHK.	DESCRIPTION	DATE
A	ON	MP	ISSUE FOR CONSTRUCTION	25 MAY 20

REFERENCE DRAWINGS:

DRAWING NUMBER	DRAWING NUMBER

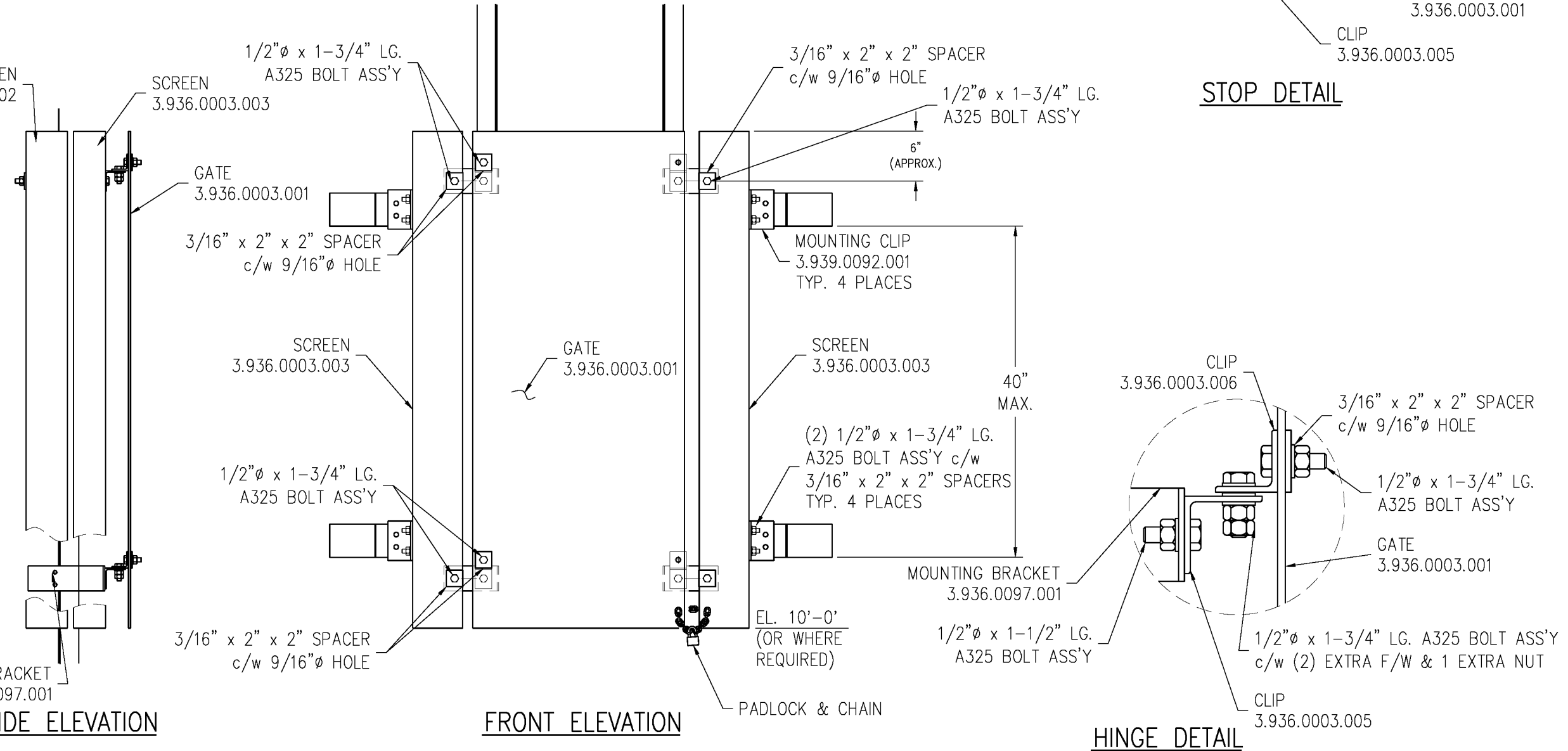
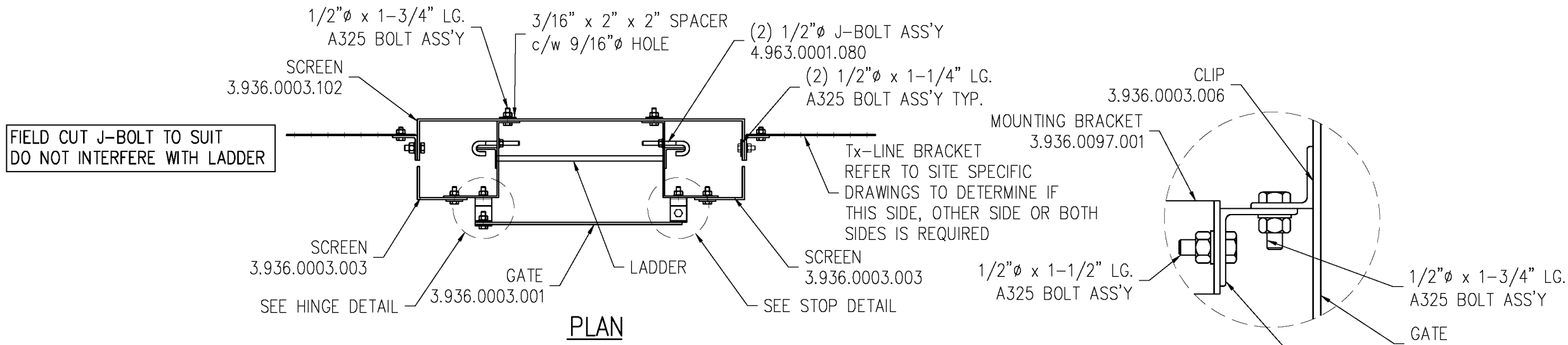
CONFIDENTIAL: ALL INTELLECTUAL PROPERTY RIGHTS HEREIN ARE THE PROPERTY OF TRYLON INC. ALL DUPLICATION, RECORDING, DISCLOSURE OR USE IS PROHIBITED WITHOUT WRITTEN CONSENT OF TRYLON INC



DRAWING NO.  
159737.319.2718

CUSTOMER: GOV OF BERMUDA	SITE: DEVONSHIRE PARISH	SCALE: 1.000
DATE: 25 MAY 20	BY: ON	CHK: MP
APP: ZA		TITLE: FIXED CROSSOVER ASSEMBLY

NOTES:




**SIDE ELEVATION**

REV.	BY: REV.	BY: CHK.	DESCRIPTION	DATE
A	MA	PS	ISSUE FOR APPROVAL	20 FEB 20
B	ON	MP	ISSUE FOR CONSTRUCTION	14 MAY 20

REFERENCE DRAWINGS:

DRAWING NUMBER	DRAWING NUMBER

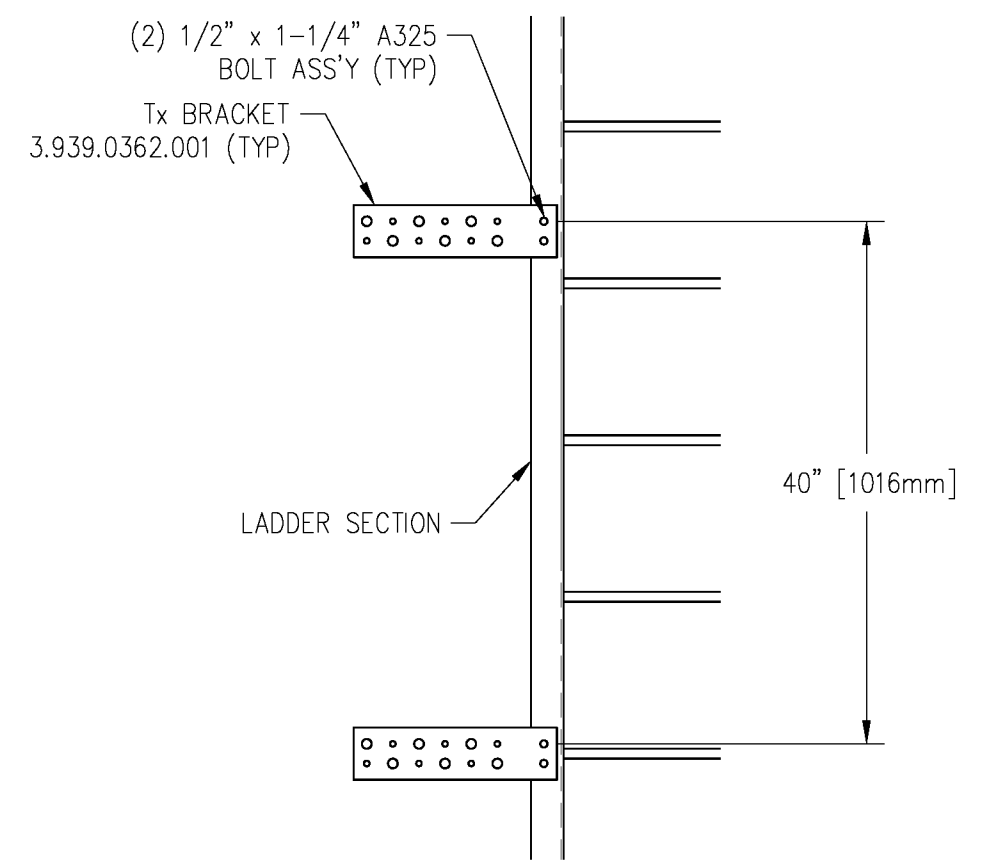
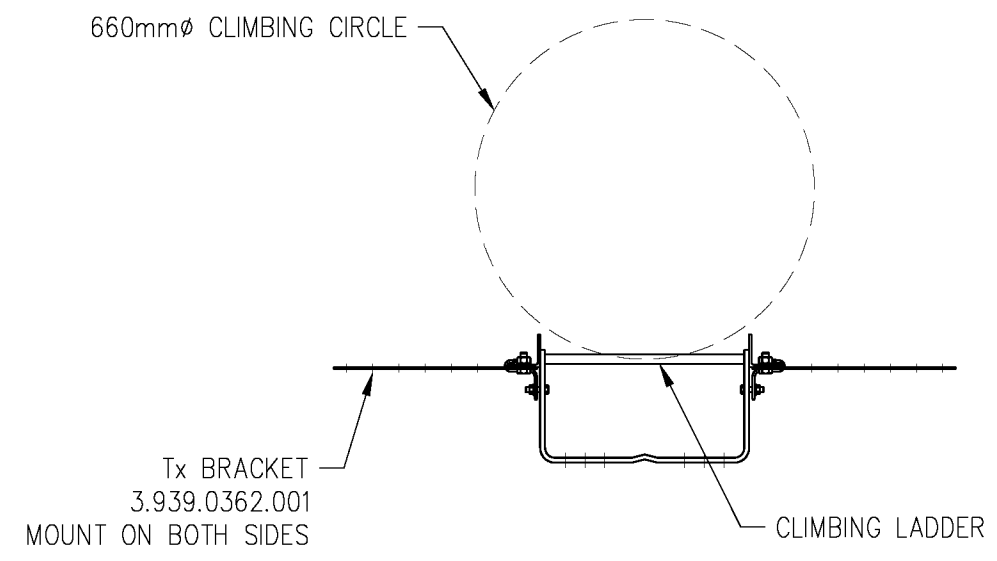
CONFIDENTIAL: ALL INTELLECTUAL PROPERTY RIGHTS HEREIN ARE THE PROPERTY OF TRYLON INC. ALL DUPLICATION, RECORDING, DISCLOSURE OR USE IS PROHIBITED WITHOUT WRITTEN CONSENT OF TRYLON INC



DRAWING NO. 159737.319.3601

NOTES:

CUSTOMER: GOV OF BERMUDA	SITE: DEVONSHIRE PARISH	SCALE: 15.000
DATE: 20 FEB 20	BY: MA	CHK: PS
APP: ZA		
TITLE: KDSS ANTI-CLIMBER		




REV.	BY: REV.	BY: CHK.	DESCRIPTION	DATE
A	MA	PS	ISSUE FOR APPROVAL	20 FEB 20
B	ON	MP	ISSUE FOR CONSTRUCTION	14 MAY 20

REFERENCE DRAWINGS:

DRAWING NUMBER	DRAWING NUMBER

CONFIDENTIAL: ALL INTELLECTUAL PROPERTY RIGHTS HEREIN ARE THE PROPERTY OF TRYLON INC. ALL DUPLICATION, RECORDING, DISCLOSURE OR USE IS PROHIBITED WITHOUT WRITTEN CONSENT OF TRYLON INC.



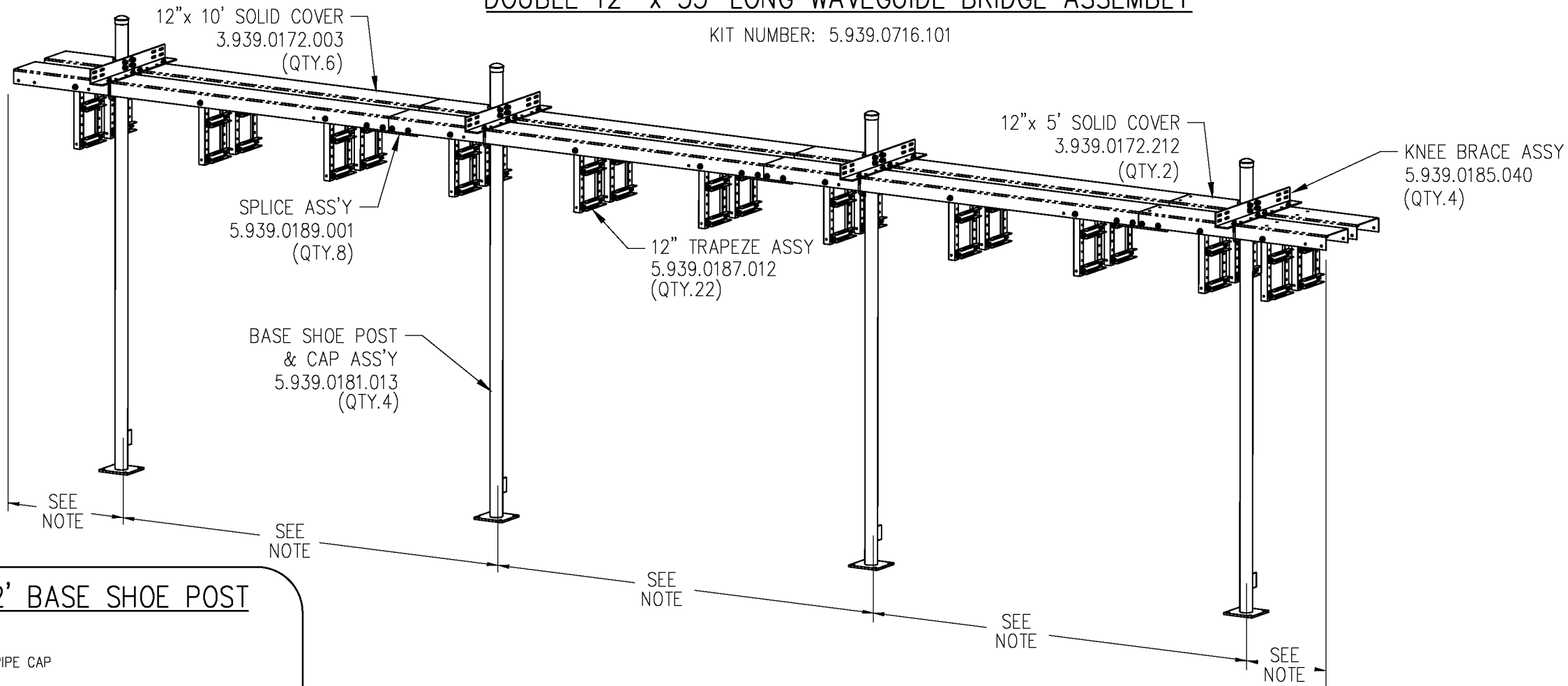
DRAWING NO.  
159737.319.3901

NOTES:

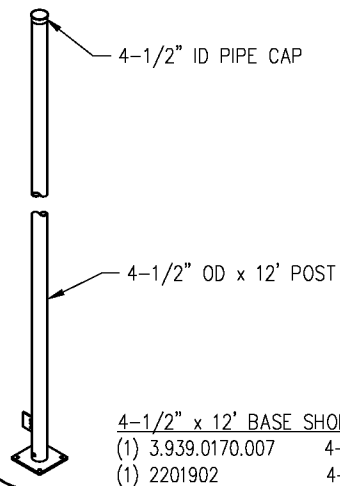
CUSTOMER: GOV OF BERMUDA	SITE: DEVONSHIRE PARISH	SCALE: 15.000
DATE: 20 FEB 20	BY: MA	CHK: PS
APP: ZA		
TITLE: Tx-LINE BRACKET INSTALLATION		

# DOUBLE 12" x 35' LONG WAVEGUIDE BRIDGE ASSEMBLY

KIT NUMBER: 5.939.0716.101



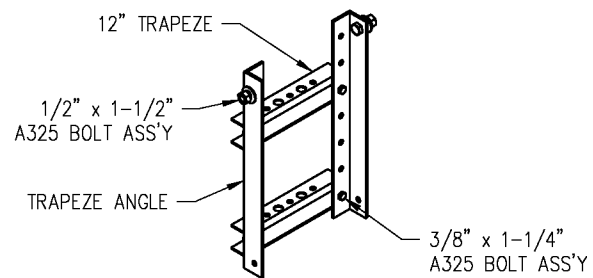
## 4-1/2" x 12' BASE SHOE POST



4-1/2" x 12' BASE SHOE POST ASS'Y (5.939.0181.013)  
 (1) 3.939.0170.007 4-1/2" x 12' POST F, BASE  
 (1) 2201902 4-1/2" PIPE CAP

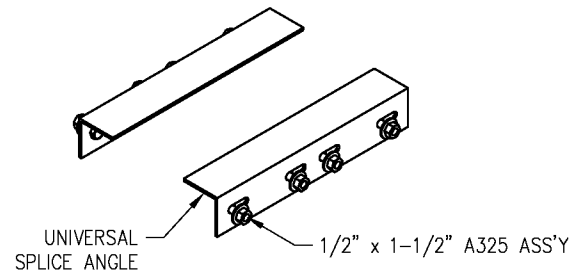
- 1) MAXIMUM POST SPACING = 10'-0"
- 2) MAXIMUM OVERHANG = 2'-6"

## 12" TRAPEZE 'B' ASSEMBLY



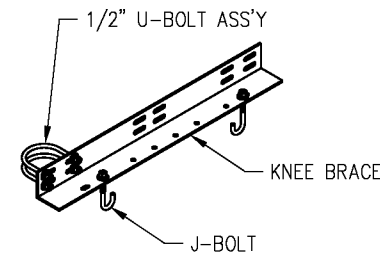
12" TRAPEZE 'B' ASSEMBLY (5.939.0187.012)  
 (2) 3.939.0171.303 12" TRAPEZE B (12 HOLE)  
 (2) 3.939.0171.304 TRAPEZE ANGLE  
 (2) 1202021 1/2" x 1-1/2" A325 ASS'Y  
 (4) 1201062 3/8" x 1-1/4" BOLT (Gr5)  
 (4) 1201050 3/8" HEX NUT  
 (4) 1201053 3/8" FLAT WASHER  
 (4) 1201051 3/8" LOCK WASHER

## UNIVERSAL W/G SPLICE ASSEMBLY



UNIVERSAL W/G SPLICE ASSEMBLY (5.939.0189.001)  
 (2) 3.939.0171.401 UNIVERSAL SPLICE ANGLE  
 (8) 1202021 1/2" x 1-1/2" A325 ASS'Y

## 60-1/2" KNEE BRACE ASSEMBLY




60-1/2" KNEE BRACE ASSEMBLY (5.939.0185.040)  
 (1) 3.939.0171.003 60-1/2" KNEE BRACE  
 (4) 4.963.0001.207 1/2" x 4-1/2" U-BOLT ASS'Y  
 (4) 4.963.0001.087 1/2" x 5" J-BOLT ASS'Y

REV.	BY: REV.	BY: CHK.	DESCRIPTION	DATE
A	ON	MP	ISSUE FOR CONSTRUCTION	28 APR 20

REFERENCE DRAWINGS:	
DRAWING NUMBER	DRAWING NUMBER

CONFIDENTIAL: ALL INTELLECTUAL PROPERTY RIGHTS HEREIN ARE THE PROPERTY OF TRYLON INC. ALL DUPLICATION, RECORDING, DISCLOSURE OR USE IS PROHIBITED WITHOUT WRITTEN CONSENT OF TRYLON INC.

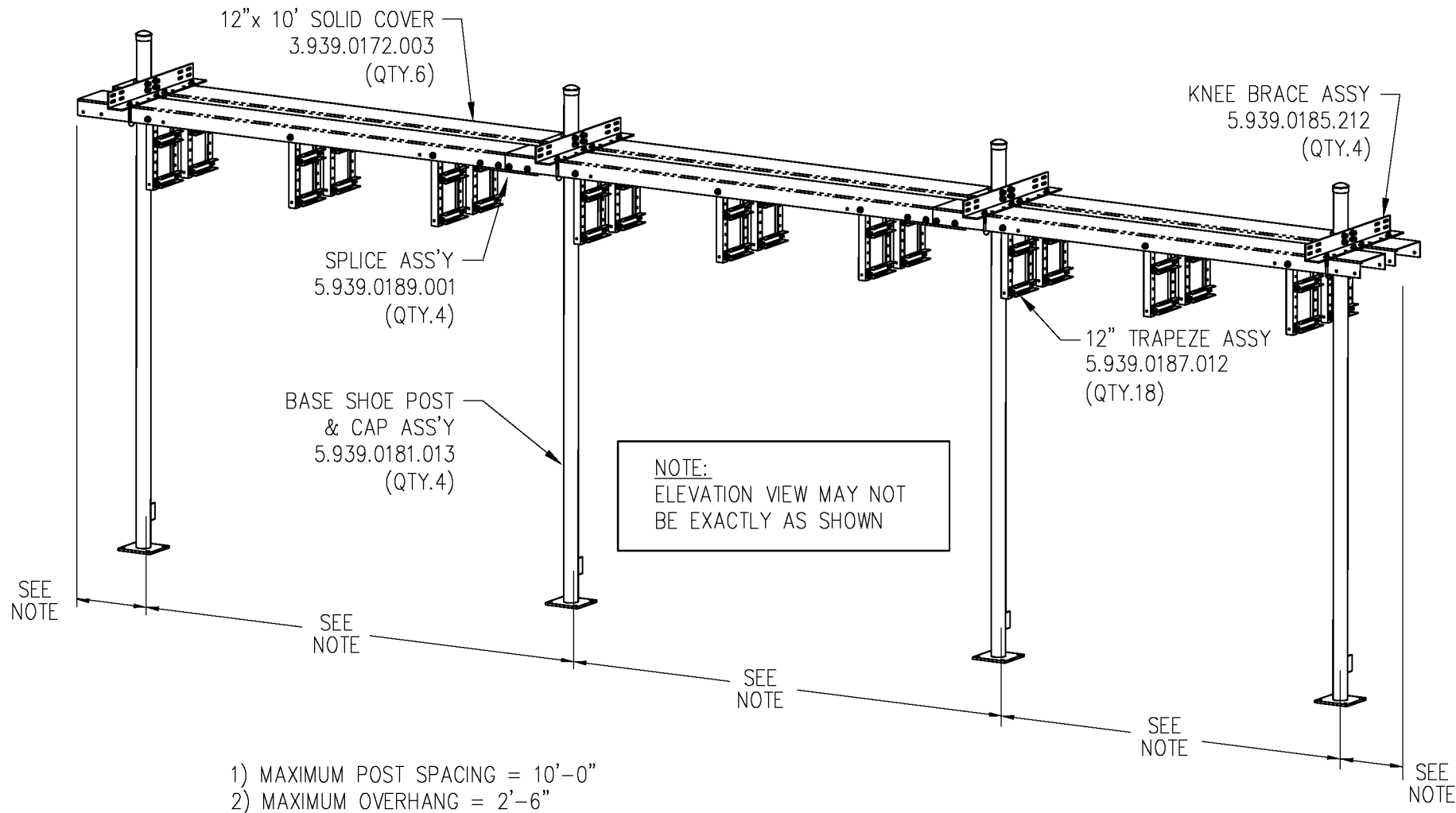


DRAWING NO. 159737.319.3902

CUSTOMER: GOV OF BERMUDA	SITE: DEVONSHIRE PARISH	SCALE: 1.000
DATE: 28 APR 20	BY: ON	CHK: MP
APP: ZA		TITLE: DOUBLE 12" W/G BRIDGE ASSY

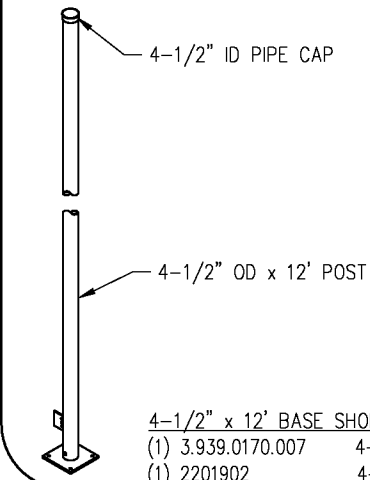
# DOUBLE 12" x 30FT LONG WAVEGUIDE BRIDGE ASSEMBLY

KIT NUMBER: 5.939.0715.101



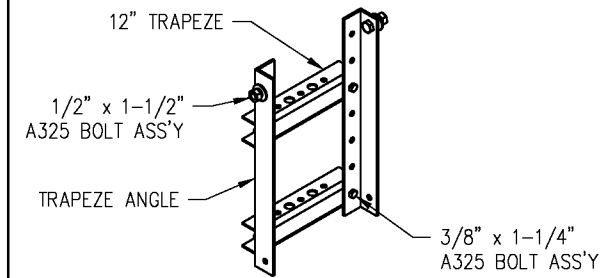
- 1) MAXIMUM POST SPACING = 10'-0"
- 2) MAXIMUM OVERHANG = 2'-6"

## 4-1/2" x 12' BASE SHOE POST



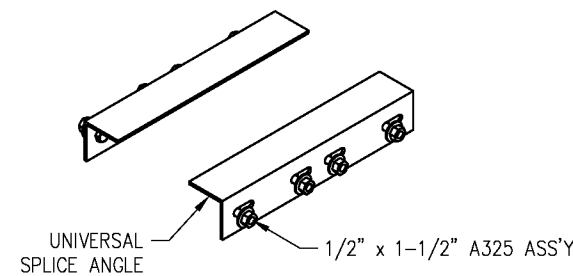
- 4-1/2" x 12' BASE SHOE POST ASS'Y (5.939.0181.013)  
 (1) 3.939.0170.007 4-1/2" x 12' POST F, BASE  
 (1) 2201902 4-1/2" PIPE CAP

## 12" TRAPEZE 'B' ASSEMBLY



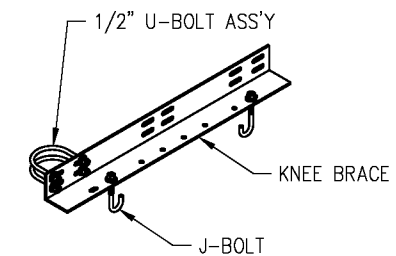
- 12" TRAPEZE 'B' ASSEMBLY (5.939.0187.012)  
 (2) 3.939.0171.303 12" TRAPEZE B (12 HOLE)  
 (2) 3.939.0171.304 TRAPEZE ANGLE  
 (2) 1202021 1/2" x 1-1/2" A325 ASS'Y  
 (4) 1201062 3/8" x 1-1/4" BOLT (Gr5)  
 (4) 1201050 3/8" HEX NUT  
 (4) 1201053 3/8" FLAT WASHER  
 (4) 1201051 3/8" LOCK WASHER

## UNIVERSAL W/G SPLICE ASSEMBLY



- UNIVERSAL W/G SPLICE ASSEMBLY (5.939.0189.001)  
 (2) 3.939.0171.401 UNIVERSAL SPLICE ANGLE  
 (8) 1202021 1/2" x 1-1/2" A325 ASS'Y

## 60-1/2" KNEE BRACE ASSEMBLY




- 60-1/2" KNEE BRACE ASSEMBLY (5.939.0185.040)  
 (1) 3.939.0171.003 60-1/2" KNEE BRACE  
 (4) 4.963.0001.207 1/2" x 4-1/2" U-BOLT ASS'Y  
 (4) 4.963.0001.087 1/2" x 5" J-BOLT ASS'Y

REV.	BY: REV.	BY: CHK.	DESCRIPTION	DATE
A	ON	MP	ISSUE FOR CONSTRUCTION	28 APR 20

REFERENCE DRAWINGS:	
DRAWING NUMBER	DRAWING NUMBER

CONFIDENTIAL: ALL INTELLECTUAL PROPERTY RIGHTS HEREIN ARE THE PROPERTY OF TRYLON INC. ALL DUPLICATION, RECORDING, DISCLOSURE OR USE IS PROHIBITED WITHOUT WRITTEN CONSENT OF TRYLON INC.



DRAWING NO. 159737.319.3903

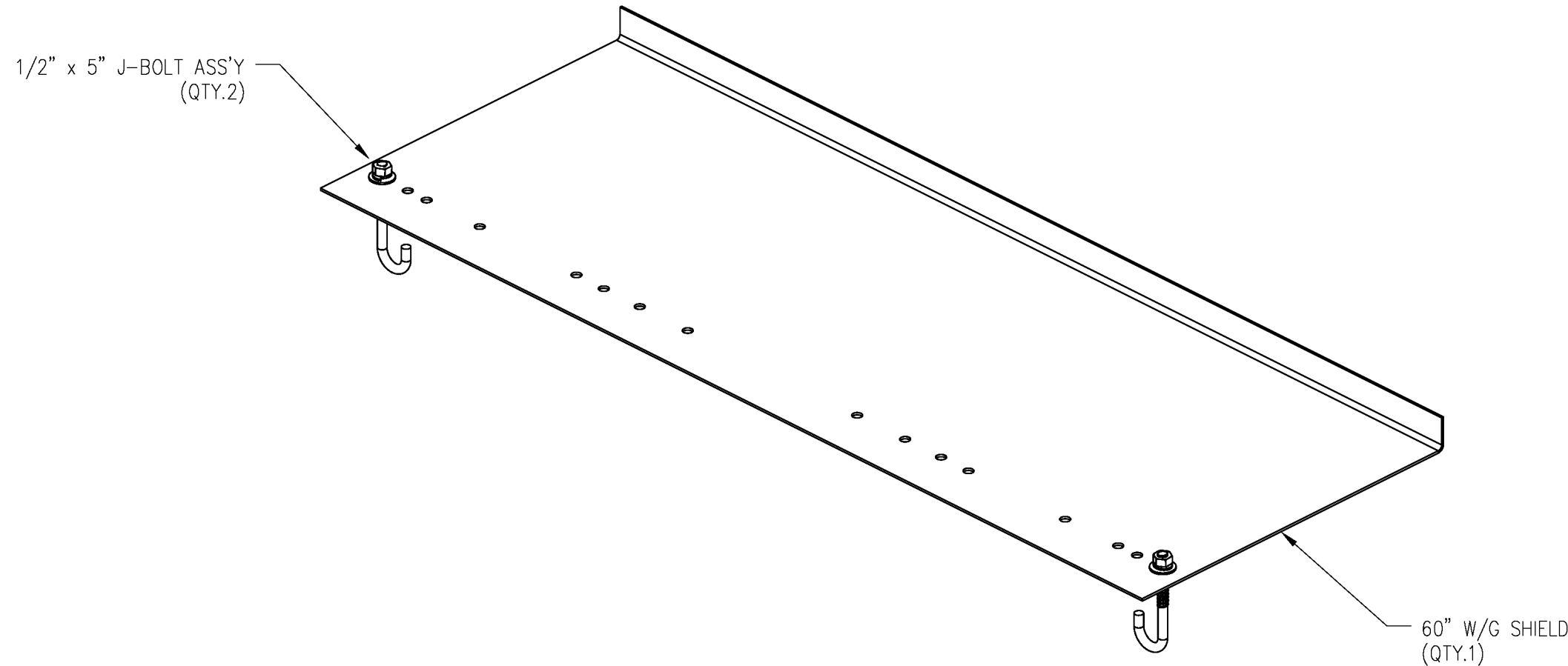
CUSTOMER: GOV OF BERMUDA    SITE: DEVONSHIRE PARISH    SCALE: 1.000

DATE: 28 APR 20    BY: ON    CHK: MP    APP: ZA

TITLE: DOUBLE 12" W/G BRIDGE ASSY

# 60" WAVEGUIDE BRIDGE SHIELD ASSEMBLY

KIT NUMBER: 5.939.0190.060



### 60" WAVEGUIDE BRIDGE ASSEMBLY (5.939.0190.060)

- (1) 3.939.0172.004 60" W/G SHIELD
- (2) 4.963.0001.087 1/2" x 5' J-BOLT ASSEMBLY

REV.	BY: REV.	BY: CHK.	DESCRIPTION	DATE
A	ON	MP	ISSUE FOR CONSTRUCTION	28 APR 20

REFERENCE DRAWINGS:	
DRAWING NUMBER	DRAWING NUMBER

CONFIDENTIAL: ALL INTELLECTUAL PROPERTY RIGHTS HEREIN ARE THE PROPERTY OF TRYLON INC. ALL DUPLICATION, RECORDING, DISCLOSURE OR USE IS PROHIBITED WITHOUT WRITTEN CONSENT OF TRYLON INC.

DRAWING NO.  
159737.319.3904

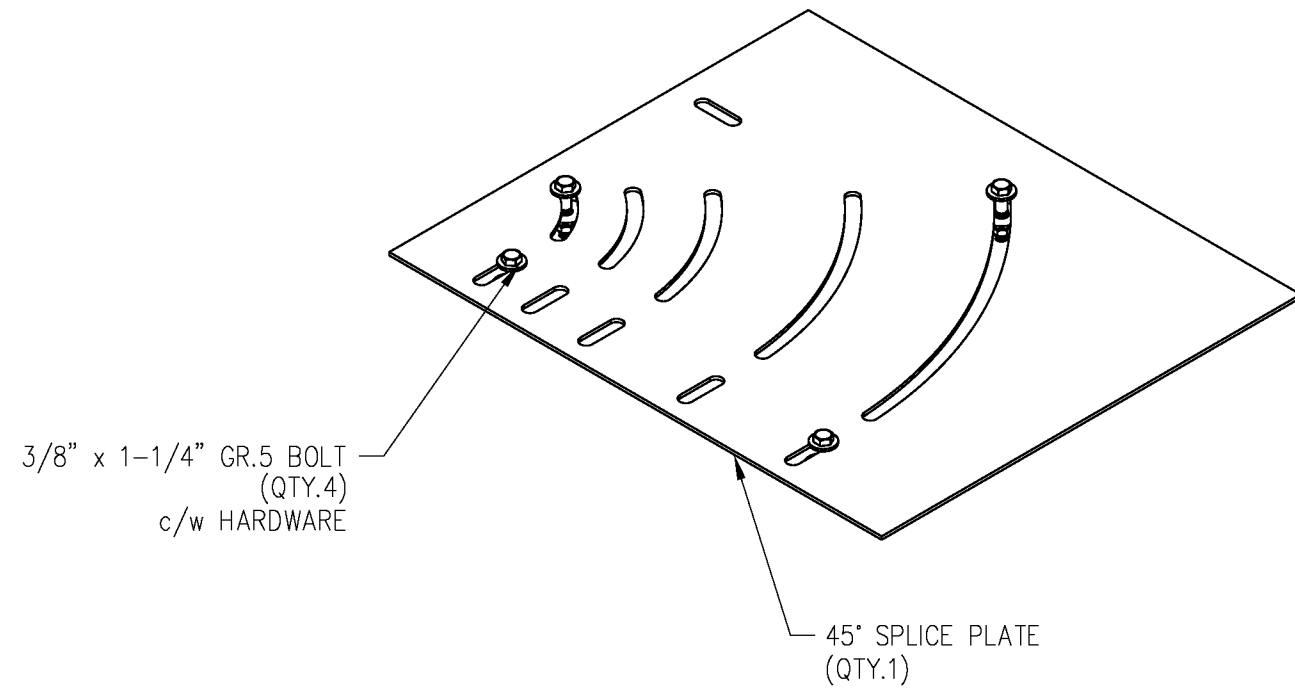
NOTES:

CUSTOMER: GOV OF BERMUDA	SITE: DEVONSHIRE PARISH	SCALE: 1.000
DATE: 28 APR 20	BY: ON	CHK: MP
APP: ZA		TITLE: 60" W/G BRIDGE SHIELD ASSY



# 45° SPLICE ASSEMBLY

KIT NUMBER: 5.939.0192.045




### 45° SPLICE ASSEMBLY (5.939.0192.045)

- (1) 3.939.0172.005 45° SPLICE PLATE
- (4) 1201062 3/8" x 1-1/4" BOLT (Gr5)
- (4) 1201050 3/8" HEX NUT
- (4) 1201051 3/8" LOCK WASHER
- (8) 1201053 3/8" FLAT WASHER
- (4) 1201122 1/2" FLAT WASHER

REV.	BY: REV.	BY: CHK.	DESCRIPTION	DATE
A	ON	MP	ISSUE FOR CONSTRUCTION	28 APR 20

REFERENCE DRAWINGS:	
DRAWING NUMBER	DRAWING NUMBER

CONFIDENTIAL: ALL INTELLECTUAL PROPERTY RIGHTS HEREIN ARE THE PROPERTY OF TRYLON INC. ALL DUPLICATION, RECORDING, DISCLOSURE OR USE IS PROHIBITED WITHOUT WRITTEN CONSENT OF TRYLON INC



DRAWING NO.  
159737.319.3905

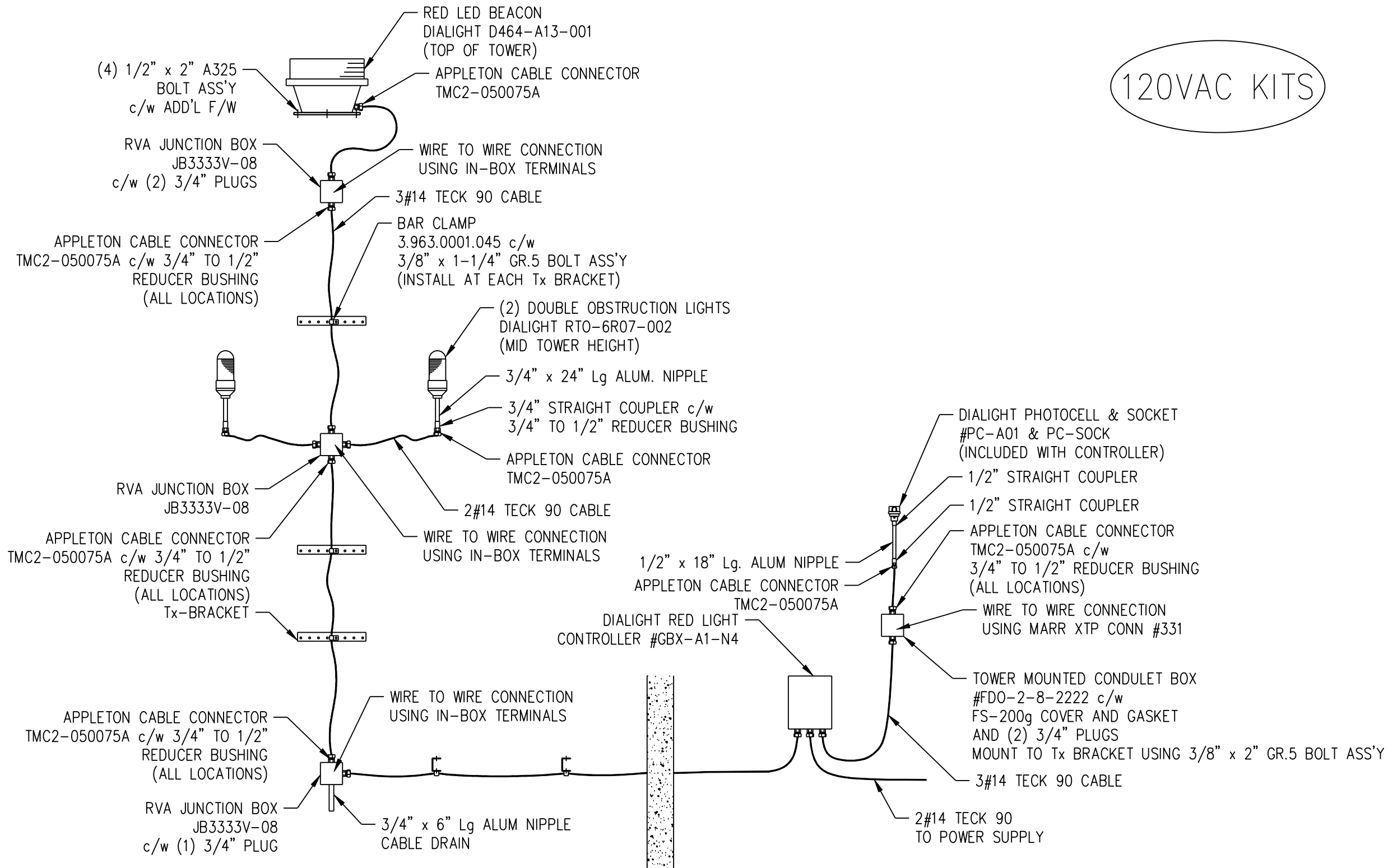
NOTES:

CUSTOMER: GOV OF BERMUDA	SITE: DEVONSHIRE PARISH	SCALE: 1.000
DATE: 28 APR 20	BY: ON	CHK: MP
APP: ZA		TITLE: 45° SPLICE PLATE ASSEMBLY

KIT NUMBER	DESCRIPTION
4.942.1301.002	COMMON DIALIGHT A1 FIXTURE KIT
4.942.1301.220	A1 ELECTRICAL KIT - MAX. 220' TOWER

REV.	BY: REV.	BY: CHK.	DESCRIPTION	DATE
A	MA	PS	ISSUE FOR APPROVAL	20 FEB 20
B	ON	MP	ISSUE FOR CONSTRUCTION	14 MAY 20


120VAC KITS



REFERENCE DRAWINGS:

DRAWING NUMBER	DRAWING NUMBER
4203	

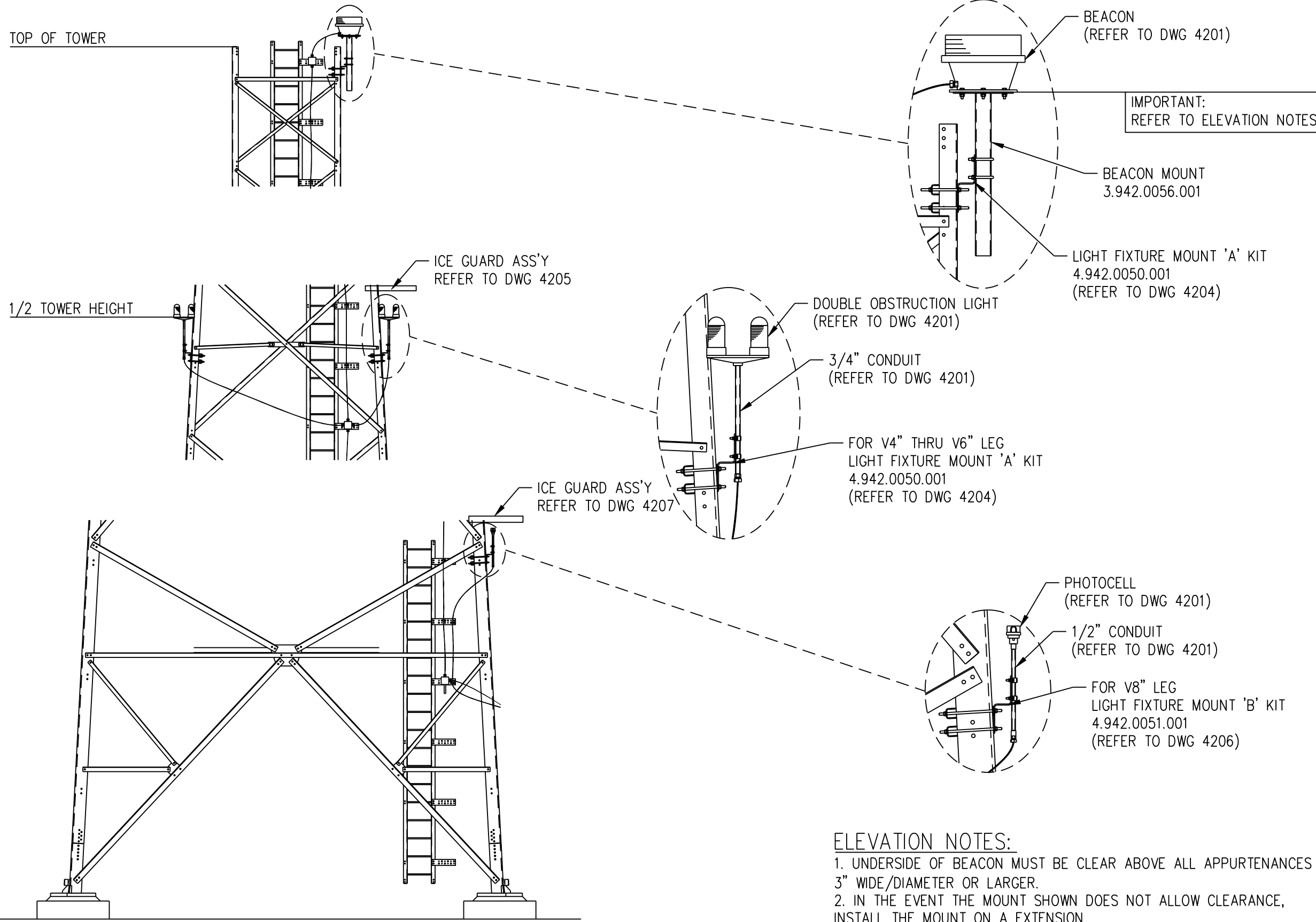
CONFIDENTIAL: ALL INTELLECTUAL PROPERTY RIGHTS HEREIN ARE THE PROPERTY OF TRYLON INC. ALL DUPLICATION, RECORDING, DISCLOSURE OR USE IS PROHIBITED WITHOUT WRITTEN CONSENT OF TYLON INC.



DRAWING NO.  
159737.319.4201

CUSTOMER: GOV OF BERMUDA	SITE: DEVONSHIRE PARISH	SCALE: 25.000
DATE: 20 FEB 20	BY: MA	CHK: PS
APP: ZA		
TITLE: DIALIGHT A1 LIGHTING SYSTEM		

NOTES: 1) REFER TO DWG 4203 FOR JUNCTION BOX MOUNTING



IMPORTANT:  
REFER TO ELEVATION NOTES

**ELEVATION NOTES:**  
 1. UNDERSIDE OF BEACON MUST BE CLEAR ABOVE ALL APPURTENANCES 3" WIDE/DIAMETER OR LARGER.  
 2. IN THE EVENT THE MOUNT SHOWN DOES NOT ALLOW CLEARANCE, INSTALL THE MOUNT ON A EXTENSION.


NOTES: 1) LADDER SECTIONS SHOWN ARE PICTORIAL REPRESENTATIONS ONLY.

REV.	BY: REV.	BY: CHK.	DESCRIPTION	DATE
A	MA	PS	ISSUE FOR APPROVAL	20 FEB 20
B	ON	MP	ISSUE FOR CONSTRUCTION	14 MAY 20

REFERENCE DRAWINGS:

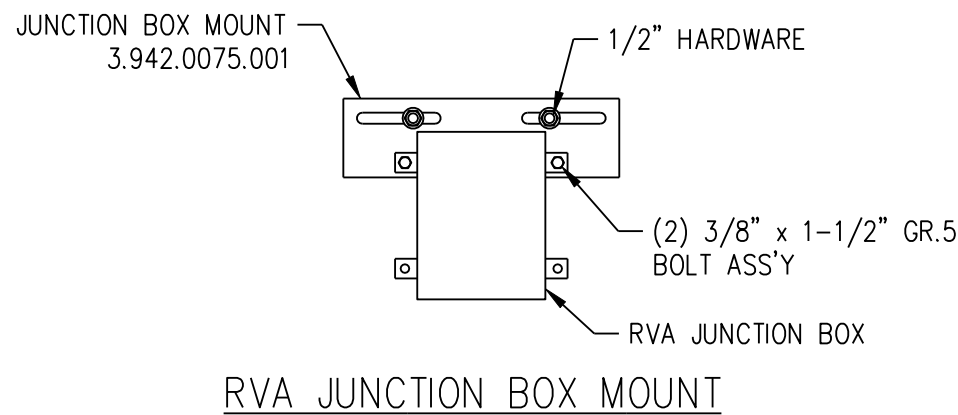
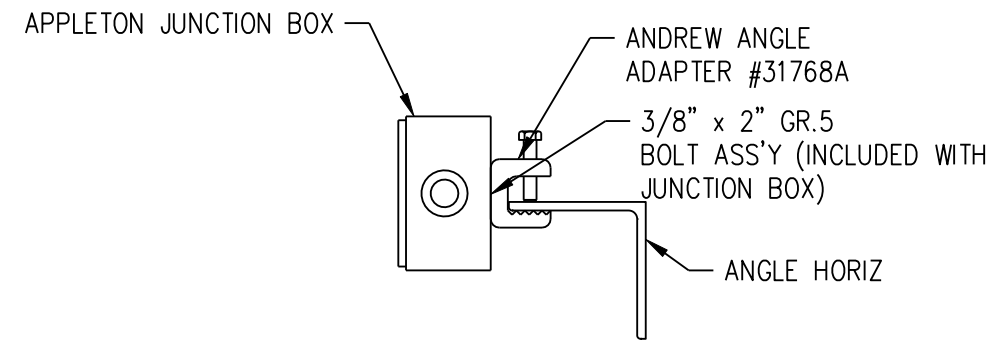
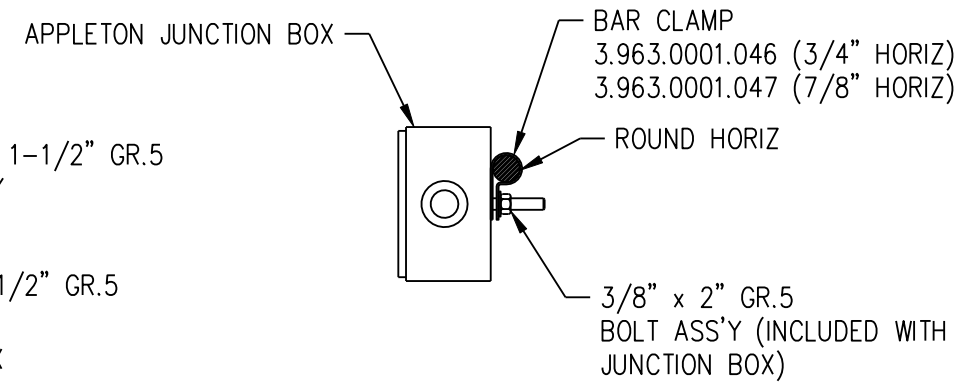
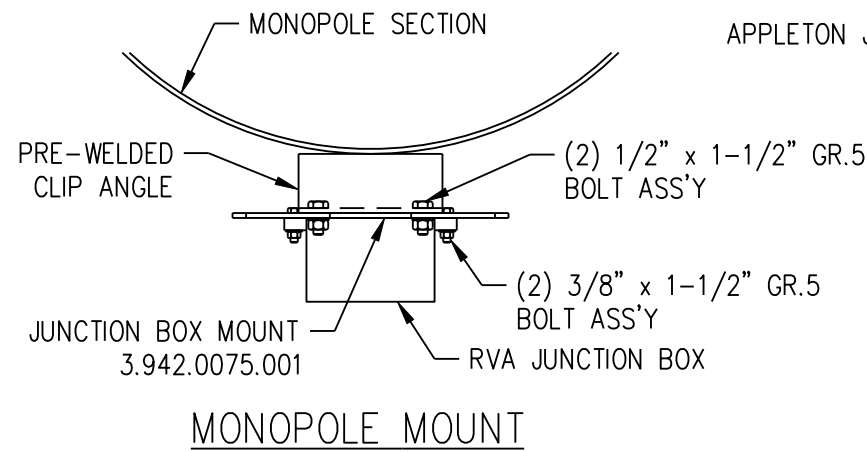
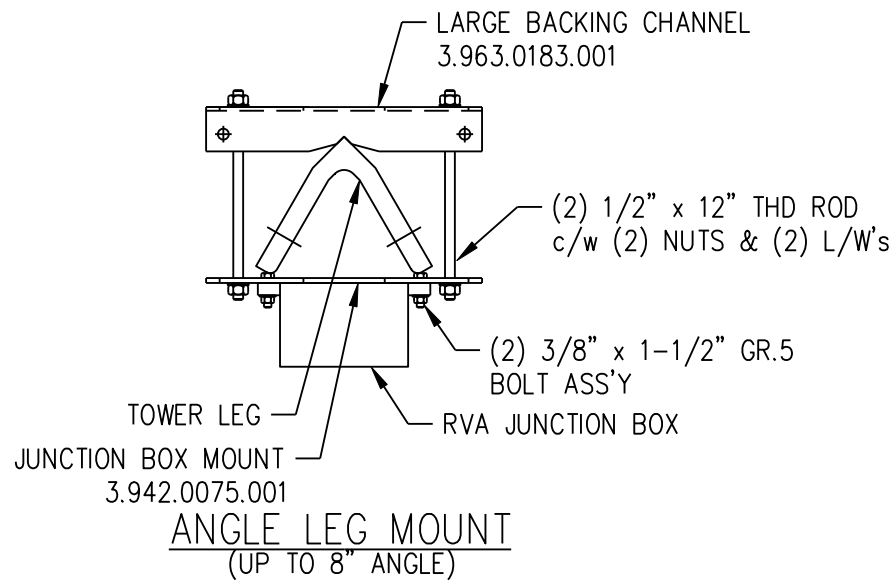
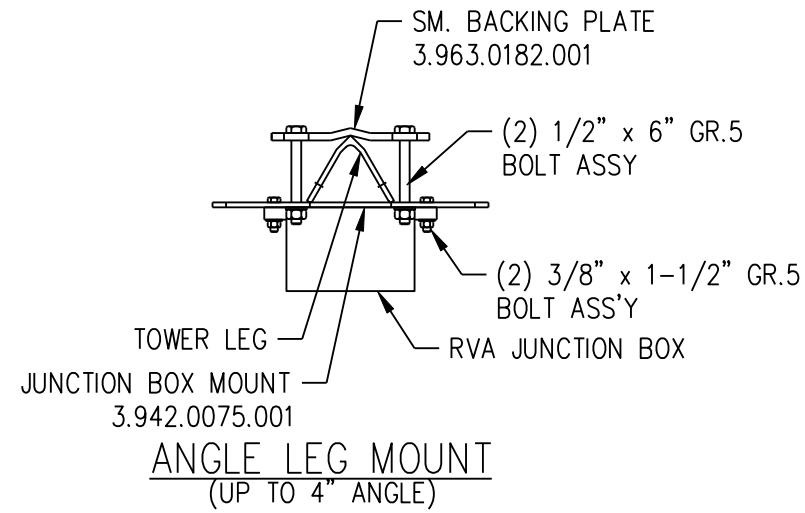
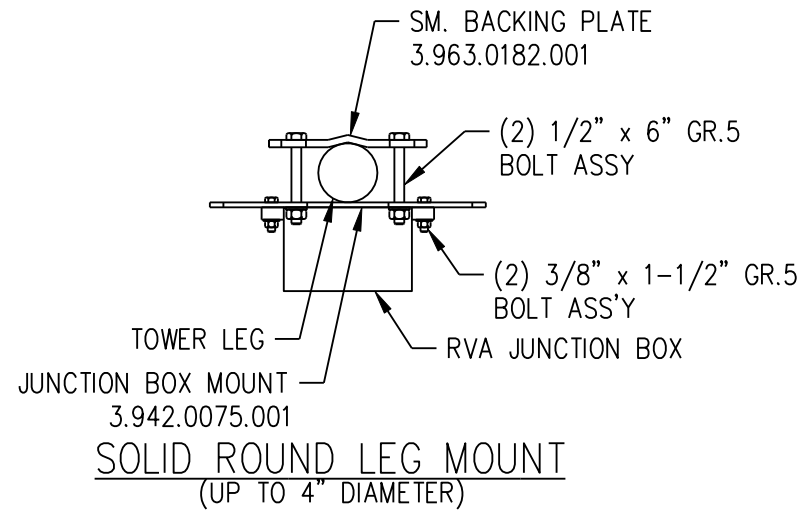
DRAWING NUMBER	DRAWING NUMBER
4201	
4204	
4205	
4206	
4207	

CONFIDENTIAL: ALL INTELLECTUAL PROPERTY RIGHTS HEREIN ARE THE PROPERTY OF TRYLON INC. ALL DUPLICATION, RECORDING, DISCLOSURE OR USE IS PROHIBITED WITHOUT WRITTEN CONSENT OF TRYLON INC



DRAWING NO. 159737.319.4202

CUSTOMER: GOV OF BERMUDA	SITE: DEVONSHIRE PARISH	SCALE: 70.000
DATE: 20 FEB 20	BY: MA	CHK: PS
APP: ZA		TITLE: DIALIGHT A1 MOUNTING PROFILE




**APPLETON JUNCTION BOX MOUNT**  
(WHERE MOUNTING TO Tx BRACKET IS NOT PRACTICAL)

REV.	BY: REV.	BY: CHK.	DESCRIPTION	DATE
A	MA	PS	ISSUE FOR APPROVAL	20 FEB 20
B	ON	MP	ISSUE FOR CONSTRUCTION	14 MAY 20

REFERENCE DRAWINGS:	
DRAWING NUMBER	DRAWING NUMBER

CONFIDENTIAL: ALL INTELLECTUAL PROPERTY RIGHTS HEREIN ARE THE PROPERTY OF TRYLON INC. ALL DUPLICATION, RECORDING, DISCLOSURE OR USE IS PROHIBITED WITHOUT WRITTEN CONSENT OF TYLON INC.



DRAWING NO.  
159737.319.4203

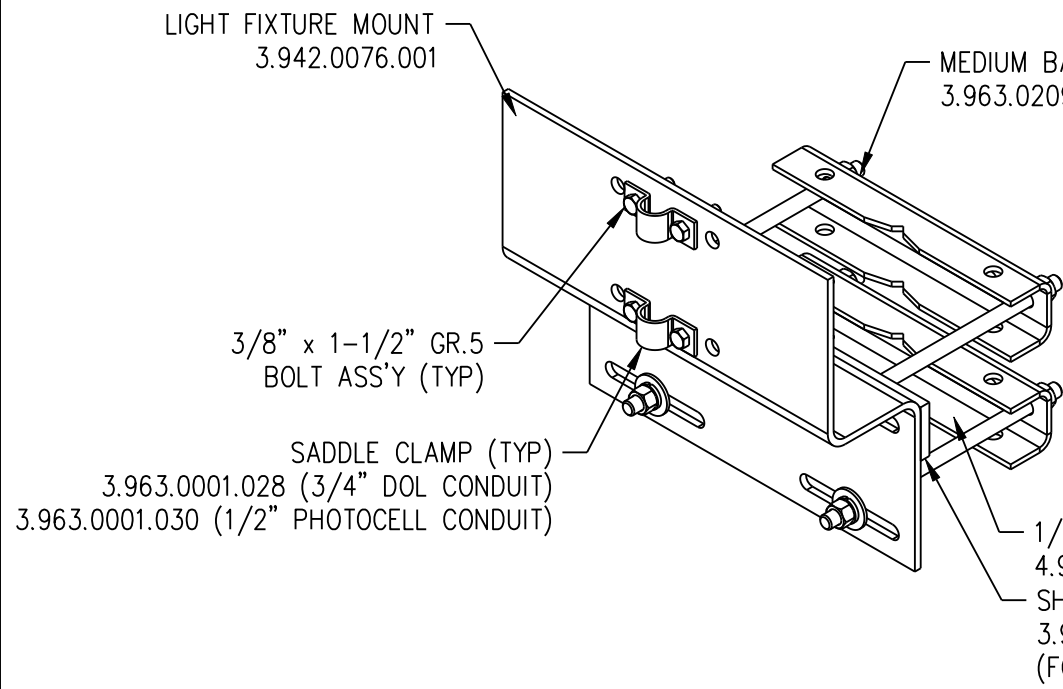
CUSTOMER: GOV OF BERMUDA    SITE: DEVONSHIRE PARISH    SCALE: 10.000

DATE: 20 FEB 20    BY: MA    CHK: PS    APP: ZA

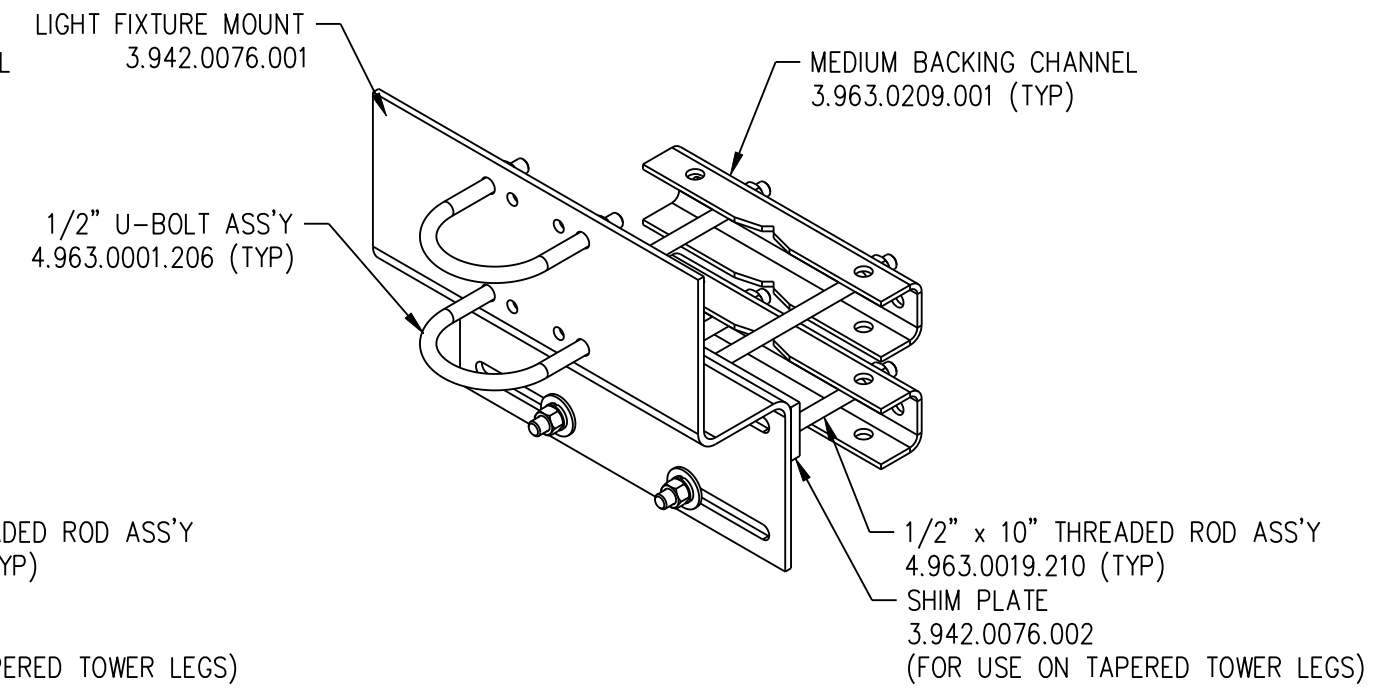
TITLE:  
**JUNCTION BOX MOUNTING**

NOTES:

REV.	BY: REV.	BY: CHK.	DESCRIPTION	DATE
A	MA	PS	ISSUE FOR APPROVAL	20 FEB 20
B	ON	MP	ISSUE FOR CONSTRUCTION	14 MAY 20



DOL/PHOTOCELL MOUNTING



BEACON MOUNTING


MOUNTING TO AWG ROUND LEG AND KD V4\"/>

LIGHT FIXTURE MOUNT 'A' KIT 4.942.0050.001

QTY.	PART NUMBER	DESCRIPTION
1	3.942.0076.001	LIGHT FIXTURE MOUNT
2	3.963.0209.001	MEDIUM BACKING CHANNEL
4	4.963.0019.210	1/2" x 10" THREADED ROD ASS'Y
2	4.963.0001.206	1/2" U-BOLT ASS'Y (3-1/2")
2	3.963.0001.028	SADDLE CLAMP (3/4" CONDUIT)
2	3.963.0001.030	SADDLE CLAMP (1/2" CONDUIT)
4	4.963.0022.150	3/8" x 1-1/2" GR.5 BOLT ASS'Y
1	3.942.0076.002	SHIM PLATE

REFERENCE DRAWINGS:	
DRAWING NUMBER	DRAWING NUMBER

CONFIDENTIAL: ALL INTELLECTUAL PROPERTY RIGHTS HEREIN ARE THE PROPERTY OF TRYLON INC. ALL DUPLICATION, RECORDING, DISCLOSURE OR USE IS PROHIBITED WITHOUT WRITTEN CONSENT OF TRYLON INC



DRAWING NO. 159737.319.4204

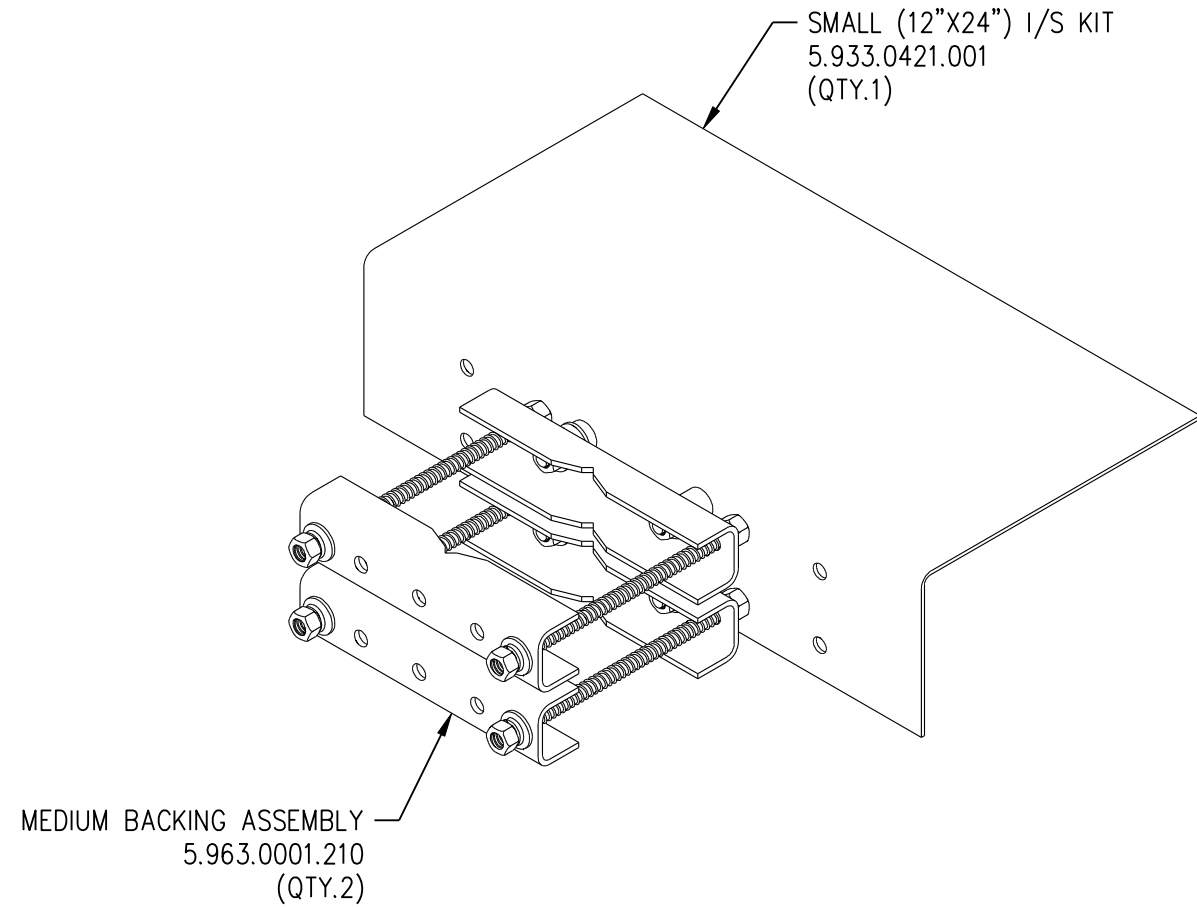
CUSTOMER: GOV OF BERMUDA      SITE: DEVONSHIRE PARISH      SCALE: 1.000

DATE: 20 FEB 20      BY: MA      CHK: PS      APP: ZA

TITLE: LIGHT FIXTURE MOUNT 'A' KIT

NOTES:

SMALL (12"x24") ICE SHIELD w/ MEDIUM BACKING KITS  
 KIT NUMBER: 5.933.0422.001



**SMALL (12" x 24") ICE SHIELD KIT**

TX-LINE ICE SHIELD  
 1/2" x 2" A325 BOLT ASS'Y  
 1" SLEEVE

**SMALL (12" X 24") ICE SHIELD KIT (5.933.0421.001)**  
 (1) 3.933.0049.001 TX-LINE ICE SHIELD  
 (4) 3.963.0507.004 1" SLEEVE  
 (4) 1202023 1/2" x 2" A325 ASS'Y

**MEDIUM BACKING ASSEMBLY**

MEDIUM BACKING ASS'Y  
 ROUND MEMBERS UPTO 5-9/16" Ø OD  
 60° & 90° ANGLES UPTO 6" IN SIZE  
 THREADED ROD ASSEMBLY

**MEDIUM BACKING ASSEMBLY (5.963.0001.210)**  
 (2) 3.963.0209.001 MEDIUM BACKING CHANNEL  
 C 2-1/4"x1-3/4"x3/16"x10-1/4" LG.  
 (2) 4.963.0019.213 1/2" x 13" THREADED ROD ASSY  
 (2) 1202021 1/2" x 1-1/2" BOLT ASS'Y

REV.	BY: REV.	BY: CHK.	DESCRIPTION	DATE
A	MA	PS	ISSUE FOR APPROVAL	20 FEB 20
B	ON	MP	ISSUE FOR CONSTRUCTION	14 MAY 20

REFERENCE DRAWINGS:

DRAWING NUMBER	DRAWING NUMBER

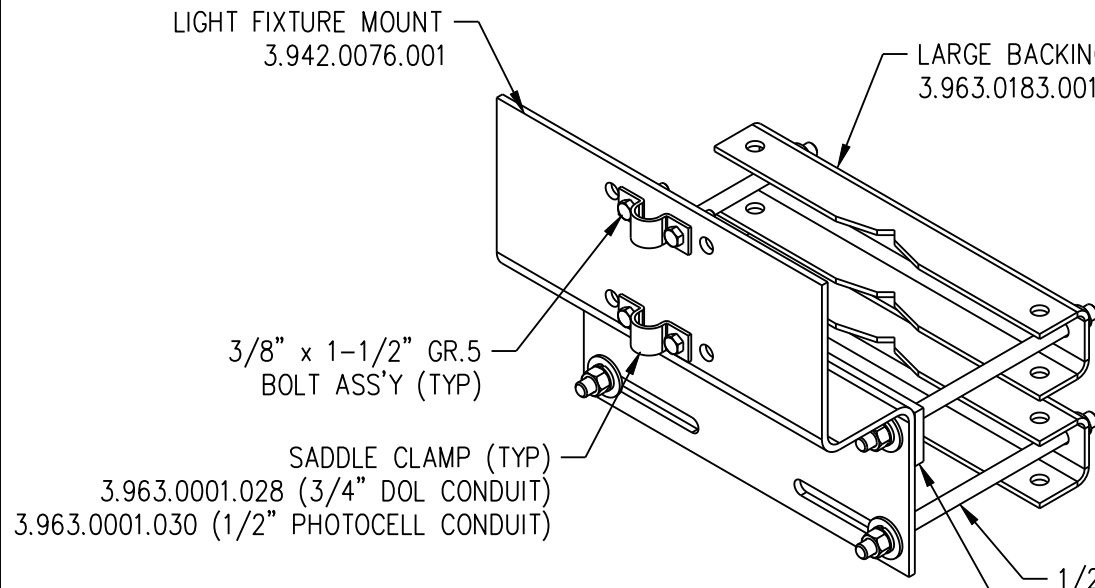
CONFIDENTIAL: ALL INTELLECTUAL PROPERTY RIGHTS HEREIN ARE THE PROPERTY OF TRYLON INC. ALL DUPLICATION, RECORDING, DISCLOSURE OR USE IS PROHIBITED WITHOUT WRITTEN CONSENT OF TRYLON INC

DRAWING NO. 159737.319.4205

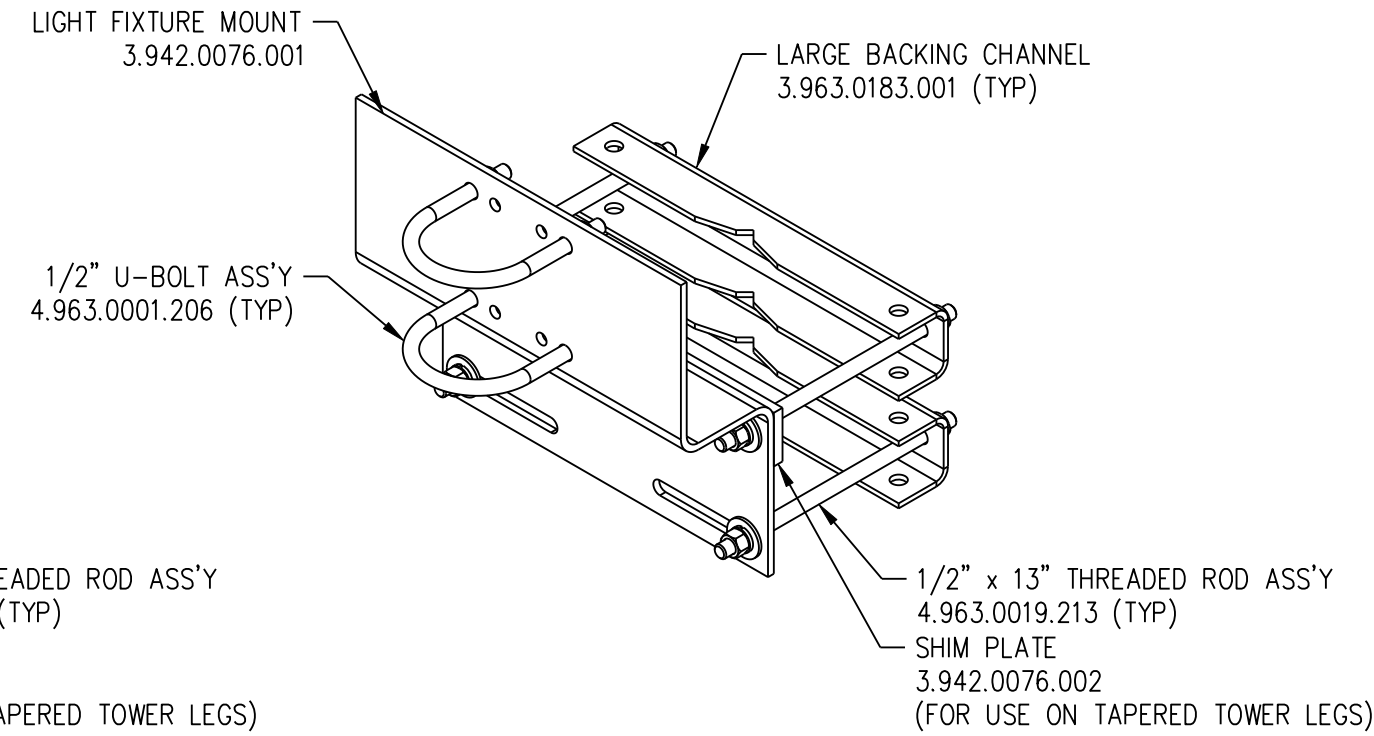
CUSTOMER: GOV OF BERMUDA	SITE: DEVONSHIRE PARISH	SCALE: 1.000
DATE: 20 FEB 20	BY: MA	CHK: PS
APP: ZA		TITLE: SM (12"x24") I/S w MD KITS

NOTES:

REV.	BY: REV.	BY: CHK.	DESCRIPTION	DATE
A	MA	PS	ISSUE FOR APPROVAL	20 FEB 20
B	ON	MP	ISSUE FOR CONSTRUCTION	14 MAY 20



DOL/PHOTOCELL MOUNTING



BEACON MOUNTING

MOUNTING TO KD V8\"/>

LIGHT FIXTURE MOUNT 'B' KIT 4.942.0051.001


QTY.	PART NUMBER	DESCRIPTION
1	3.942.0076.001	LIGHT FIXTURE MOUNT
2	3.963.0183.001	LARGE BACKING CHANNEL
4	4.963.0019.213	1/2\"/>
2	4.963.0001.206	1/2\"/>
2	3.963.0001.028	SADDLE CLAMP (3/4\"/>
2	3.963.0001.030	SADDLE CLAMP (1/2\"/>
4	4.963.0022.150	3/8\"/>
1	3.942.0076.002	SHIM PLATE

REFERENCE DRAWINGS:

DRAWING NUMBER	DRAWING NUMBER

NOTES:

CONFIDENTIAL: ALL INTELLECTUAL PROPERTY RIGHTS HEREIN ARE THE PROPERTY OF TRYLON INC. ALL DUPLICATION, RECORDING, DISCLOSURE OR USE IS PROHIBITED WITHOUT WRITTEN CONSENT OF TRYLON INC



DRAWING NO. 159737.319.4206

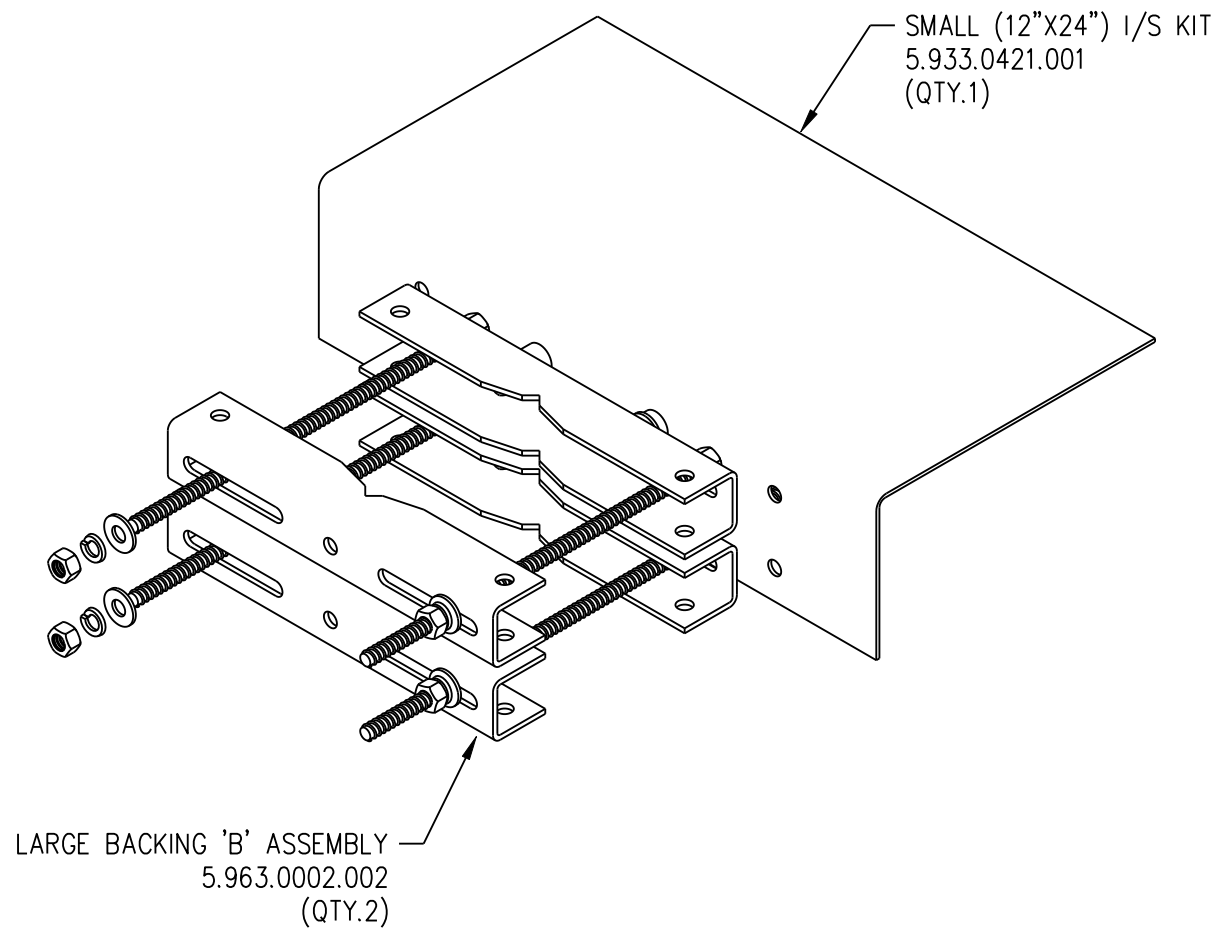
CUSTOMER: GOV OF BERMUDA    SITE: DEVONSHIRE PARISH    SCALE: 1.000

DATE: 20 FEB 20    BY: MA    CHK: PS    APP: ZA

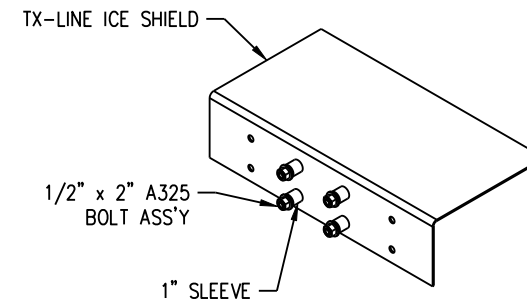
TITLE: LIGHT FIXTURE MOUNT 'B' KIT



SMALL (12"x24") ICE SHIELD w/ LARGE BACKING KITS  
 KIT NUMBER: 5.933.0422.002

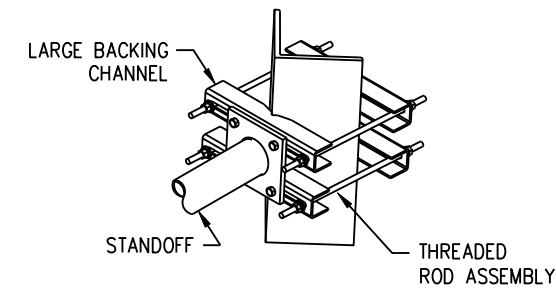


SMALL (12" x 24") ICE SHIELD KIT



- SMALL (12" X 24") ICE SHIELD KIT (5.933.0421.001)  
 (1) 3.933.0049.001 TX-LINE ICE SHIELD  
 (4) 3.963.0507.004 1" SLEEVE  
 (4) 1202023 1/2" x 2" A325 ASS'Y

LARGE BACKING 'B' KIT




- LARGE BACKING CHANNEL 'B' ASSEMBLY (5.963.0002.002)  
 (2) 3.963.0183.001 LARGE BACKING CHANNEL  
 (2) 1202021 1/2" x 1-1/2" BOLT ASSY  
 (2) 4.963.0019.218 1/2" x 18" THREADED ROD ASSY

REV.	BY: REV.	BY: CHK.	DESCRIPTION	DATE
A	MA	PS	ISSUE FOR APPROVAL	20 FEB 20
B	ON	MP	ISSUE FOR CONSTRUCTION	14 MAY 20

REFERENCE DRAWINGS:

DRAWING NUMBER	DRAWING NUMBER

CONFIDENTIAL: ALL INTELLECTUAL PROPERTY RIGHTS HEREIN ARE THE PROPERTY OF TRYLON INC. ALL DUPLICATION, RECORDING, DISCLOSURE OR USE IS PROHIBITED WITHOUT WRITTEN CONSENT OF TRYLON INC.



DRAWING NO. 159737.319.4207

CUSTOMER: GOV OF BERMUDA	SITE: DEVONSHIRE PARISH	SCALE: 1.000
DATE: 20 FEB 20	BY: MA	CHK: PS
APP: ZA		TITLE: SM (12"x24") I/S LG KITS

NOTES:

**GENERAL ASSEMBLY NOTES:**

- 1) ALL TOWER BRACING AND LEG SPLICE BOLTS SHALL BE A325 (UNLESS NOTED OTHERWISE).
- 2) ALL A325 BOLT ASSEMBLIES SHALL BE IN FULL BEARING.
- 3) WHERE EXTRA FLAT WASHERS ARE USED TO ACHIEVE FULL BEARING, ON BRACING MEMBERS, THE FLAT WASHERS SHALL BE INSTALLED UNDER THE NUT.
- 4) BOLT ASSEMBLIES SHALL BE INSTALLED WITH NUTS AND WASHERS TO THE "OUTSIDE" OF THE TOWER.
- 5) TOWER MEMBERS ARE IDENTICAL ON ALL (3) FACES (UNLESS NOTED OTHERWISE).
- 6) TOWER SECTION SHOULD BE ASSEMBLED ON A LEVEL SURFACE i.e.. LEVELED TIMBERS OR EQUAL.
- 7) ALL SPACERS ARE 2" x 2" x THICKNESS NOTED.
- 8) WHERE SUFFIX (') FOLLOWS BOLT DESCRIPTION AN ADDITIONAL FLAT WASHER IS REQUIRED.
- 9) WHERE SUFFIX (') FOLLOWS SPACER DESCRIPTION THE HOLE SIZE IS 9/16"φ.
- 10) WHERE SUFFIX (") FOLLOWS SPACER DESCRIPTION THE HOLE SIZE IS 13/16"φ.
- 11) PART NUMBER SHOWN IN (BRACKETS) TO BE INSTALLED ON "INSIDE" OF THE TOWER.
- 12) TYPICAL END DISTANCES: 1/2" BOLT = 1" U/N  
                                   5/8" BOLT = 1-1/8" U/N  
                                   3/4" BOLT = 1-5/16" U/N
- 13) TYPICAL BOLT PITCH DISTANCES: 1/2" BOLT = 1-1/2" U/N  
   5/8" BOLT = 1-7/8" U/N  
   3/4" BOLT = 2-1/4" U/N
- 14) GAUGE DISTANCE EQUALS CENTRE OF ANGL U/N (EXAMPLE: 3" ANGLE, GAUGE EQUALS 1-1/2")
- 15) ALL MATERIALS GRADES TO CSA G40.21 U/N: ANGLE (LEGS): 50W  
   ANGLE (BRACING): 44W  
   PIPE: A500 Gr C  
   PLATE: 44W

**TURN-OF-NUT TIGHTENING**

1. AFTER ALIGNING THE HOLES IN A JOINT, SUFFICIENT BOLTS SHALL BE PLACED AND BROUGHT TO A SNUG-TIGHT CONDITION TO ENSURE THAT THE PARTS OF THE JOINT ARE BROUGHT INTO FULL CONTACT WITH EACH OTHER. "SNUG-TIGHT" IS THE TIGHTNESS ATTAINED BY A FEW IMPACTS OF AN IMPACT WRENCH OR THE FULL EFFORT OF A PERSON USING A SPUD WRENCH.
2. FOLLOWING THE INITIAL SNUGGING OPERATION, BOLTS SHALL BE PLACED IN ANY REMAINING OPEN HOLES AND BROUGHT TO SNUG-TIGHTNESS. RE-SNUGGING MAY BE NECESSARY IN LARGE JOINTS.
3. WHEN ALL BOLTS ARE SNUG-TIGHT, EACH BOLT IN THE JOINT SHALL THEN BE TIGHTENED ADDITIONALLY BY THE APPLICABLE AMOUNT OF RELATIVE ROTATION GIVEN IN THE CHART BELOW, WITH TIGHTENING PROGRESSING SYSTEMATICALLY FROM THE MOST RIGID PART OF THE JOINT TO IT'S FREE EDGES. DURING THIS OPERATION THERE SHALL BE NO ROTATION OF THE PART NOT TURNED BY THE WRENCH, UNLESS THE BOLT AND NUT ARE MATCH-MARKED TO ENABLE THE AMOUNT OF RELATIVE ROTATION TO BE DETERMINED.
4. ANY BOLT THAT IS LOOSENED AFTER INITIAL TENSION NEEDS TO BE REPLACED.

Bolt Diameter (Inch)	Bolt Length (inch)	Turns beyond snug tight	Bolt Diameter (Inch)	Bolt Length (inch)	Turns beyond snug tight	Bolt Diameter (Inch)	Bolt Length (inch)	Turns beyond snug tight
1/2	up to 2 inch	1/3	1/2	over 2 up to 4 inch	1/2	1/2	over 4 inch	2/3
5/8	up to 2.5 inch	1/3	5/8	over 2.5 up to 5	1/2	5/8	over 5	2/3
3/4	up to 3 inch	1/3	3/4	over 3 up to 6	1/2	3/4	over 6	2/3
7/8	up to 3.5 inch	1/3	7/8	over 3.5 up to 7	1/2	7/8	over 7	2/3
1	up to 4 inch	1/3	1	over 4 up to 8	1/2	1	over 8	2/3

NOTE: TOLERANCE ON ROTATION = 30° OVER OR UNDER.  
 NOTE: BOLT LENGTH IS MEASURED FROM THE UNDERSIDE OF THE HEAD TO THE EXTREME END OF POINT.


NOTES:

REV.	BY: REV.	BY: CHK.	DESCRIPTION	DATE
A	MA	PS	ISSUE FOR APPROVAL	20 FEB 20
B	ON	MP	ISSUE FOR CONSTRUCTION	14 MAY 20

REFERENCE DRAWINGS:

DRAWING NUMBER	DRAWING NUMBER

CONFIDENTIAL: ALL INTELLECTUAL PROPERTY RIGHTS HEREIN ARE THE PROPERTY OF TRYLON INC. ALL DUPLICATION, RECORDING, DISCLOSURE OR USE IS PROHIBITED WITHOUT WRITTEN CONSENT OF TRYLON INC.



DRAWING NO. 159737.319.7201

CUSTOMER: GOV OF BERMUDA	SITE: DEVONSHIRE PARISH	SCALE: 1.000
DATE: 20 FEB 20	BY: MA	CHK: PS
APP: ZA		
TITLE: GENERAL TOWER ASSEMBLY NOTES		

# BILL OF MATERIAL REPORT

Job Number :159737-Tower Supply, 220ft Tapered KDSS / Painted

<u>LotID</u>	<u>Part ID</u>	<u>Rev</u>	<u>Description</u>	<u>Ext Qty</u>	<u>UM</u>	<u>Ext Weight</u>	<u>UM</u>
<b>1</b>	<b>9.906.1</b>		<b>BELOW GRADE FOUNDATION MATERIAL</b>				
	3.906.0509.007	B	FOUNDATION PLATE (18-2" TIE ROD)	3	EA	77.70	LB
	4.906.9000.603		2" X 72" HIGH TENS TIE ROD ASS'Y	18	EA		
	3.906.9000.603	A	2" X 72" HIGH TENS TIE ROD FULL THD <i>B8S HIGH TENSILE TIE RODS 90 KSI YIELD MIN. 120 KSI ULTIMATE MIN. FULL GALV.</i>	18	EA	1065.60	LB
	1202190		2" A563 DH HEX NUT (6 T.P.I.) - HDG	90	EA	251.46	LB
	1202221		2" F-436 FLAT WASHER - HDG	36	EA	13.46	LB
				Page Sub Total Weight (not 5.)		1,408.22	
				Page Sub Total Weight (5.)		0.00	
				Page Sub Total Weight		1,408.22	

<u>LotID</u>	<u>Part ID</u>	<u>Rev</u>	<u>Description</u>	<u>Ext Qty</u>	<u>UM</u>	<u>Ext Weight</u>	<u>UM</u>
<b>1</b>	<b>9.909.1</b>		<b>FOUNDATION TEMPLATE MATERIAL</b>				
	4.909.0250.001		SA19.0026 - (12) 2" TIE RODS	1	EA		
			26'-0" SECTION				
			25'-7-9/16" c/g PIERS				
			MODIFIED				
	3.909.0162.020	C	TEMPLATE (18-2" TIE ROD)	3	EA	91.80	LB
	3.909.0162.200	A	TEMPLATE SPLICE ANGLE	6	EA	30.60	LB
	3.909.0162.125	A	TEMPLATE ANGLE (V8" - 26' SECTION)	9	EA	189.00	LB
	1201132		1/2" X 1-1/2"HEX HEAD BOLT GR.5-HDG RACK	38	EA	4.67	LB
	1201120		1/2" HEX NUT GR. 5 - HDG RACK	38	EA	1.36	LB
	1201121		1/2" LOCK WASHER GR. 5 - HDG RACK	38	EA	0.38	LB
			Page Sub Total Weight (not 5.)			317.82	
			Page Sub Total Weight (5.)			0.00	
			Page Sub Total Weight			317.82	

<u>LotID</u>	<u>Part ID</u>	<u>Rev</u>	<u>Description</u>	<u>Ext Qty</u>	<u>UM</u>	<u>Ext Weight</u>	<u>UM</u>
<b>1</b>	<b>9.912.1</b>		<b>BELOW GRADE GROUNDING MATERIAL</b>				
	4.91.0103.004		BASIC EIA GROUNDING	1	EA		
			<i>MODIFIED</i>				
	3.912.0006.002	A	5/8" X 10' GROUND ROD	3	EA	31.50	LB
	1301201		2/0 TINNED S.C.WIRE	108	M	145.80	LB
	1303030		GAR 6426 BURNDY	3	EA	1.85	LB
	1302023		#90 CADWELD CARTRIDGE	4	EA	0.86	LB
	1302022		#65 CADWELD CARTRIDGE	4	EA	0.60	LB
			<i>ORDER IN QTY'S OF 20</i>				
			<i>BURNDY</i>				
	1301201		2/0 TINNED S.C.WIRE	35	M	47.25	LB
			Page Sub Total Weight (not 5.)			227.86	
			Page Sub Total Weight (5.)			0.00	
			Page Sub Total Weight			227.86	

<u>LotID</u>	<u>Part ID</u>	<u>Rev</u>	<u>Description</u>	<u>Ext Qty</u>	<u>UM</u>	<u>Ext Weight</u>	<u>UM</u>
1	9.963.1		<b>MISC. MATERIALS - BELOW GRADE</b>				
	9.963.2		CIVIL INSTALLATION DRAWINGS	1	EA		
			Page Sub Total Weight (not 5.)			0.00	
			Page Sub Total Weight (5.)			0.00	
			Page Sub Total Weight			0.00	

<u>LotID</u>	<u>Part ID</u>	<u>Rev</u>	<u>Description</u>	<u>Ext Qty</u>	<u>UM</u>	<u>Ext Weight</u>	<u>UM</u>
<b>10</b>	<b>9.915.2</b>		<b>MAST MATERIAL</b>				
	1202076		3/4" X 3" A325 BOLT ASS'Y - HDG kanban	24	EA	18.10	LB
	3.963.0700.212	A	7/8" THK 1 HOLE SPACER (13/16" DIA)	12	EA	1.56	LB
	3.963.0700.204	A	1/4" THK 1 HOLE SPACER (13/16" DIA)	12	EA	1.56	LB
			Page Sub Total Weight (not 5.)			21.22	
			Page Sub Total Weight (5.)			0.00	
			Page Sub Total Weight			21.22	

<u>LotID</u>	<u>Part ID</u>	<u>Rev</u>	<u>Description</u>	<u>Ext Qty</u>	<u>UM</u>	<u>Ext Weight</u>	<u>UM</u>
<b>10</b>	<b>9.915.3</b>		<b>MAST MATERIAL</b>				
	1202077		3/4" X 3-1/4" A325 BOLT ASS'Y - HDG	12	EA	9.42	LB
			<i>BBEx acc requirement</i>				
	3.963.0700.213	A	1" THK 1 HOLE SPACER (13/16" DIA)	12	EA	1.56	LB
	1202213		3/4" F-436 FLAT WASHER - HDG kanban	12	EA	0.43	LB
			Page Sub Total Weight (not 5.)			11.41	
			Page Sub Total Weight (5.)			0.00	
			Page Sub Total Weight			11.41	



<u>LotID</u>	<u>Part ID</u>	<u>Rev</u>	<u>Description</u>	<u>Ext Qty</u>	<u>UM</u>	<u>Ext Weight</u>	<u>UM</u>
<b>10</b>	<b>9.915.4</b>		<b>MAST MATERIAL</b>				
	1202077		3/4" X 3-1/4" A325 BOLT ASS'Y - HDG	24	EA	18.84	LB
			<i>BBEx acc requirement</i>				
	1202213		3/4" F-436 FLAT WASHER - HDG kanban	12	EA	0.43	LB
	3.963.0700.212	A	7/8" THK 1 HOLE SPACER (13/16" DIA)	12	EA	1.56	LB
			Page Sub Total Weight (not 5.)			20.83	
			Page Sub Total Weight (5.)			0.00	
			Page Sub Total Weight			20.83	

<u>LotID</u>	<u>Part ID</u>	<u>Rev</u>	<u>Description</u>	<u>Ext Qty</u>	<u>UM</u>	<u>Ext Weight</u>	<u>UM</u>
<b>10</b>	<b>9.927.1</b>		<b>ANTENNA MOUNT MATERIAL</b>				
	3.930.1012.001	A	CUSTOM STANDOFF	1	EA	85.33	LB
	5.963.0002.002		LARGE BACKING CHANNEL 'B' ASS'Y	4	EA		
	3.963.0183.001	A	LARGE BACKING CHANNEL	8	EA	33.60	LB
	4.963.0019.218	-	1/2" X 18" GALV THREAD ROD ASS'Y	8	EA	9.60	LB
	1202021	-	1/2" X 1-1/2" A325 BOLT ASSY-HDG PAILS	8	EA	1.70	LB
			800 PER PAIL				
			ASSEMBLY:				
			1 x 1202021				
			1 x 1202211				
			1 x 1202180				
	5.960.0010.018		MEDIUM 18" ADJ. PARALLEL CLAMP ASS'Y	4	EA		
	3.963.0209.001	A	MEDIUM BACKING CHANNEL	16	EA	44.80	LB
			STAMP PART NUMBER				
	4.963.0019.218	-	1/2" X 18" GALV THREAD ROD ASS'Y	8	EA	9.60	LB
	1201120	-	1/2" HEX NUT GR. 5 - HDG RACK	16	EA	0.57	LB
	1201121	-	1/2" LOCK WASHER GR. 5 - HDG RACK	16	EA	0.16	LB
	1201122	-	1/2" FLAT WASHER GR. 5 - HDG RACK	16	EA	0.32	LB
			Page Sub Total Weight (not 5.)			85.33	
			Page Sub Total Weight (5.)			100.35	
			Page Sub Total Weight			185.68	

<u>LotID</u>	<u>Part ID</u>	<u>Rev</u>	<u>Description</u>	<u>Ext Qty</u>	<u>UM</u>	<u>Ext Weight</u>	<u>UM</u>
<b>10</b>	<b>9.927.6</b>		<b>ANTENNA MOUNT MATERIAL</b>				
	3.930.1012.001	A	CUSTOM STANDOFF	1	EA	85.33	LB
	5.963.0002.002		LARGE BACKING CHANNEL 'B' ASS'Y	4	EA		
	3.963.0183.001	A	LARGE BACKING CHANNEL	8	EA	33.60	LB
	4.963.0019.218	-	1/2" X 18" GALV THREAD ROD ASS'Y	8	EA	9.60	LB
	1202021	-	1/2" X 1-1/2" A325 BOLT ASSY-HDG PAILS	8	EA	1.70	LB
			800 PER PAIL				
			ASSEMBLY:				
			1 x 1202021				
			1 x 1202211				
			1 x 1202180				
	5.960.0010.018		MEDIUM 18" ADJ. PARALLEL CLAMP ASS'Y	4	EA		
	3.963.0209.001	A	MEDIUM BACKING CHANNEL	16	EA	44.80	LB
			STAMP PART NUMBER				
	4.963.0019.218	-	1/2" X 18" GALV THREAD ROD ASS'Y	8	EA	9.60	LB
	1201120	-	1/2" HEX NUT GR. 5 - HDG RACK	16	EA	0.57	LB
	1201121	-	1/2" LOCK WASHER GR. 5 - HDG RACK	16	EA	0.16	LB
	1201122	-	1/2" FLAT WASHER GR. 5 - HDG RACK	16	EA	0.32	LB
			Page Sub Total Weight (not 5.)			85.33	
			Page Sub Total Weight (5.)			100.35	
			Page Sub Total Weight			185.68	

<u>LotID</u>	<u>Part ID</u>	<u>Rev</u>	<u>Description</u>	<u>Ext Qty</u>	<u>UM</u>	<u>Ext Weight</u>	<u>UM</u>
<b>10</b>	<b>9.927.10</b>		<b>ANTENNA MOUNT MATERIAL</b>				
	3.930.1012.001	A	CUSTOM STANDOFF	2	EA	170.66	LB
	5.963.0002.002		LARGE BACKING CHANNEL 'B' ASS'Y	8	EA		
	3.963.0183.001	A	LARGE BACKING CHANNEL	16	EA	67.20	LB
	4.963.0019.218	-	1/2" X 18" GALV THREAD ROD ASS'Y	16	EA	19.20	LB
	1202021	-	1/2" X 1-1/2" A325 BOLT ASSY-HDG PAILS	16	EA	3.39	LB
			800 PER PAIL				
			ASSEMBLY:				
			1 x 1202021				
			1 x 1202211				
			1 x 1202180				
	5.960.0010.018		MEDIUM 18" ADJ. PARALLEL CLAMP ASS'Y	8	EA		
	3.963.0209.001	A	MEDIUM BACKING CHANNEL	32	EA	89.60	LB
			STAMP PART NUMBER				
	4.963.0019.218	-	1/2" X 18" GALV THREAD ROD ASS'Y	16	EA	19.20	LB
	1201120	-	1/2" HEX NUT GR. 5 - HDG RACK	32	EA	1.15	LB
	1201121	-	1/2" LOCK WASHER GR. 5 - HDG RACK	32	EA	0.32	LB
	1201122	-	1/2" FLAT WASHER GR. 5 - HDG RACK	32	EA	0.64	LB
			Page Sub Total Weight (not 5.)			170.66	
			Page Sub Total Weight (5.)			200.70	
			Page Sub Total Weight			371.36	

<u>LotID</u>	<u>Part ID</u>	<u>Rev</u>	<u>Description</u>	<u>Ext Qty</u>	<u>UM</u>	<u>Ext Weight</u>	<u>UM</u>
<b>2</b>	<b>9.915.1</b>		<b>MAST MATERIAL</b>				
	4.319.0197.001		STUB LEG SA19.0026.12	1	EA		
			<i>PAINT: ORANGE</i>				
			<i>PAINT COMPLETE PART EXCEPT LEG</i>				
			<i>REFER TO DWG 159737.319.900 FOR PAINT</i>				
			<i>SCHEME</i>				
			<i>REFER TO 9.963.95 FOR SPEC</i>				
	3.319.0348.001	A	STUB LEG WELDMENT	3	EA	3261.30	LB
			Page Sub Total Weight (not 5.)			3,261.30	
			Page Sub Total Weight (5.)			0.00	
			Page Sub Total Weight			3,261.30	

<u>LotID</u>	<u>Part ID</u>	<u>Rev</u>	<u>Description</u>	<u>Ext Qty</u>	<u>UM</u>	<u>Ext Weight</u>	<u>UM</u>
<b>2</b>	<b>9.915.2</b>		<b>MAST MATERIAL</b>				
	4.319.0505.001	A	SA19.0026.13.08.00.2.2.0 MODIFIED	1	EA		
			PAINT: ORANGE PAINT COMPLETE PART EXCEPT LEG REFER TO DWG 159737.319.900 FOR PAINT SCHEME REFER TO 9.963.95 FOR SPEC				
	3.319.0063.005	A	REGULAR LEG - V 8"x8"x1-1/8" (26' H/H)	3	EA	3403.50	LB
	3.319.0009.406	A	TOP K-BRACE DIAGONAL	6	EA	975.00	LB
	3.319.0009.106	A	BOTTOM K-BRACE DIAGONAL	6	EA	900.00	LB
	3.319.0009.206	A	BOTTOM K-BRACE DIAGONAL	6	EA	900.00	LB
	3.319.0009.303	C	SUB DIAGONAL	6	EA	181.80	LB
	3.319.0209.017	C	K-BRACE HORIZONTAL	3	EA	374.40	LB
	3.319.0010.303	E	SUB HORIZONTAL	6	EA	163.20	LB
	3.319.0350.001	A	CONNECTION PLATE - 26' H/H V8" LEG	3	EA	334.20	LB
	3.319.0351.001	A	SUB CONNECTION PLATE	6	EA	141.00	LB
	3.319.0210.002	A	CLIP ANGLE	3	EA	9.90	LB
	3.319.0210.022	B	PLAN BRACE	3	EA	217.80	LB
	1202041		5/8" X 1-1/2" A325 BOLT ASS'Y - HDG	7	EA	2.59	LB
	1202076		3/4" X 3" A325 BOLT ASS'Y - HDG kanban	80	EA	60.32	LB
	1202077		3/4" X 3-1/4" A325 BOLT ASS'Y - HDG	7	EA	5.50	LB
			<i>BBEx acc requirement</i>				
	1202075		3/4" X 2-3/4" A325 BOLT ASS'Y - HDG	13	EA	9.40	LB
	1202213		3/4" F-436 FLAT WASHER - HDG kanban	25	EA	0.90	LB
			Page Sub Total Weight (not 5.)			7,679.50	
			Page Sub Total Weight (5.)			0.00	
			Page Sub Total Weight			7,679.50	

<u>LotID</u>	<u>Part ID</u>	<u>Rev</u>	<u>Description</u>	<u>Ext Qty</u>	<u>UM</u>	<u>Ext Weight</u>	<u>UM</u>
<b>2</b>	<b>9.915.3</b>		<b>MAST MATERIAL</b>				
	4.319.0506.001	A	SA19.0024.13.07.08.2.2.0 MODIFIED	1	EA		
			<i>PAINT: WHITE</i>				
			<i>PAINT COMPLETE PART EXCEPT LEG</i>				
			<i>REFER TO DWG 159737.319.900 FOR PAINT SCHEME</i>				
			<i>REFER TO 9.963.95 FOR SPEC</i>				
	3.319.0064.006	A	REGULAR LEG - V 8"x8"x1" (24' H/H)	3	EA	3050.70	LB
	3.319.0011.409	B	TOP K-BRACE DIAGONAL	6	EA	912.00	LB
	3.319.0011.107	A	BOTTOM K-BRACE DIAGONAL	6	EA	865.80	LB
	3.319.0011.207	A	BOTTOM K-BRACE DIAGONAL	6	EA	865.80	LB
	3.319.0011.301	A	SUB DIAGONAL	6	EA	144.00	LB
	3.319.0209.005	A	K-BRACE HORIZONTAL	3	EA	259.80	LB
	3.319.0351.002	A	SUB CONNECTION PLATE	6	EA	125.40	LB
	3.319.0352.001	A	CONNECTION PLATE - 24' H/H V8" LEG	3	EA	297.00	LB
	3.319.0012.301	A	SUB HORIZONTAL	6	EA	93.00	LB
	3.319.0210.002	A	CLIP ANGLE	3	EA	9.90	LB
	3.319.0210.021	B	PLAN BRACE	3	EA	128.10	LB
	1202041		5/8" X 1-1/2" A325 BOLT ASS'Y - HDG	7	EA	2.59	LB
	1202076		3/4" X 3" A325 BOLT ASS'Y - HDG kanban	33	EA	24.88	LB
	1202077		3/4" X 3-1/4" A325 BOLT ASS'Y - HDG	38	EA	29.83	LB
			<i>BBEx acc requirement</i>				
	1202075		3/4" X 2-3/4" A325 BOLT ASS'Y - HDG	38	EA	27.47	LB
	1202213		3/4" F-436 FLAT WASHER - HDG kanban	95	EA	3.42	LB
			Page Sub Total Weight (not 5.)			6,839.70	
			Page Sub Total Weight (5.)			0.00	
			Page Sub Total Weight			6,839.70	

<u>LotID</u>	<u>Part ID</u>	<u>Rev</u>	<u>Description</u>	<u>Ext Qty</u>	<u>UM</u>	<u>Ext Weight</u>	<u>UM</u>
<b>2</b>	<b>9.915.4</b>		<b>MAST MATERIAL</b>				
	4.319.0558.001	A	SA19.0022.12.16.08.2.2.0 MODIFIED	1	EA		
			PAINT: ORANGE PAINT COMPLETE PART EXCEPT LEG REFER TO DWG 159737.319.900 FOR PAINT SCHEME REFER TO 9.963.95 FOR SPEC				
	3.319.0065.007	A	REGULAR LEG - V 8"x8"x7/8" (22' H/H)	3	EA	2691.90	LB
	3.319.0013.410	C	TOP K-BRACE DIAGONAL	6	EA	851.40	LB
	3.319.0013.108	B	BOTTOM K-BRACE DIAGONAL	6	EA	1249.20	LB
	3.319.0013.208	B	BOTTOM K-BRACE DIAGONAL	6	EA	1249.20	LB
	3.319.0013.301	A	SUB DIAGONAL	6	EA	138.60	LB
	3.319.0209.010	A	K-BRACE HORIZONTAL	3	EA	195.90	LB
	3.319.0014.301	A	SUB HORIZONTAL	6	EA	84.42	LB
	3.319.0353.001	A	CONNECTION PLATE - 22' H/H V8" LEG	3	EA	259.80	LB
	3.319.0351.003	A	SUB CONNECTION PLATE	6	EA	109.80	LB
	3.319.0210.002	A	CLIP ANGLE	3	EA	9.90	LB
	3.319.0210.023	B	PLAN BRACE	3	EA	116.40	LB
	1202041		5/8" X 1-1/2" A325 BOLT ASS'Y - HDG	7	EA	2.59	LB
	1202074		3/4" X 2-1/2" A325 BOLT ASS'Y - HDG	38	EA	26.30	LB
	1202076		3/4" X 3" A325 BOLT ASS'Y - HDG kanban	25	EA	18.85	LB
	1202075		3/4" X 2-3/4" A325 BOLT ASS'Y - HDG	32	EA	23.14	LB
	1202213		3/4" F-436 FLAT WASHER - HDG kanban	13	EA	0.47	LB
	1202077		3/4" X 3-1/4" A325 BOLT ASS'Y - HDG	13	EA	10.21	LB
			<i>BBEx acc requirement</i>				
			Page Sub Total Weight (not 5.)			7,038.07	
			Page Sub Total Weight (5.)			0.00	
			Page Sub Total Weight			7,038.07	



<u>LotID</u>	<u>Part ID</u>	<u>Rev</u>	<u>Description</u>	<u>Ext Qty</u>	<u>UM</u>	<u>Ext Weight</u>	<u>UM</u>
<b>2</b>	<b>9.915.5</b>		<b>MAST MATERIAL</b>				
	4.319.0507.001	A	SA19.0020.11.16.07.2.2.0 MODIFIED	1	EA		
			<i>PAINT: WHITE</i>				
			<i>PAINT COMPLETE PART EXCEPT LEG</i>				
			<i>REFER TO DWG 159737.319.900 FOR PAINT SCHEME</i>				
			<i>REFER TO 9.963.95 FOR SPEC</i>				
	3.319.0066.008	A	REGULAR LEG - V 8"x8"x3/4" (20' H/H)	3	EA	2326.80	LB
	3.319.0015.407	A	TOP K-BRACE DIAGONAL	6	EA	518.40	LB
	3.319.0015.106	C	BOTTOM K-BRACE DIAGONAL	3	EA	597.90	LB
	3.319.0015.206	C	BOTTOM K-BRACE DIAGONAL	3	EA	597.90	LB
	3.319.0015.301	A	SUB DIAGONAL	6	EA	132.60	LB
	3.319.0209.014	A	K-BRACE HORIZONTAL	3	EA	176.70	LB
	3.319.0016.201	A	SUB HORIZONTAL	6	EA	75.60	LB
	3.319.0227.001	A	CONNECTION PLATE	3	EA	93.00	LB
	3.319.0154.002	A	SUB CONNECTION PLATE	6	EA	46.80	LB
	3.319.0210.002	A	CLIP ANGLE	3	EA	9.90	LB
	3.319.0210.020	B	PLAN BRACE	3	EA	105.60	LB
	1202041		5/8" X 1-1/2" A325 BOLT ASS'Y - HDG	7	EA	2.59	LB
	1202072		3/4" X 2" A325 BOLT ASS'Y - HDG	13	EA	8.13	LB
	1202073		3/4" X 2-1/4" A325 BOLT ASS'Y - HDG	44	EA	29.08	LB
	1202074		3/4" X 2-1/2" A325 BOLT ASS'Y - HDG	38	EA	26.30	LB
	1202213		3/4" F-436 FLAT WASHER - HDG kanban	25	EA	0.90	LB
	1202075		3/4" X 2-3/4" A325 BOLT ASS'Y - HDG	13	EA	9.40	LB
			Page Sub Total Weight (not 5.)			4,757.59	
			Page Sub Total Weight (5.)			0.00	
			Page Sub Total Weight			4,757.59	

<u>LotID</u>	<u>Part ID</u>	<u>Rev</u>	<u>Description</u>	<u>Ext Qty</u>	<u>UM</u>	<u>Ext Weight</u>	<u>UM</u>
<b>2</b>	<b>9.915.6</b>		<b>MAST MATERIAL</b>				
	4.319.0435.001	A	SA19.0018.10.06.07.3.2.0 MODIFIED	1	EA		
			<i>PAINT: ORANGE PAINT COMPLETE PART EXCEPT LEG REFER TO DWG 159737.319.900 FOR PAINT SCHEME REFER TO 9.963.95 FOR SPEC</i>				
	3.319.0159.008	A	TRANS. LEG - V 8"x8"x5/8" (18' H/H)	3	EA	1956.00	LB
	3.319.0017.405	A	TOP K-BRACE DIAGONAL	6	EA	395.40	LB
	3.319.0017.104	A	BOTTOM K-BRACE DIAGONAL	3	EA	462.90	LB
	3.319.0017.204	A	BOTTOM K-BRACE DIAGONAL	3	EA	462.90	LB
	3.319.0017.301	A	SUB DIAGONAL	6	EA	127.20	LB
	3.319.0209.015	A	K-BRACE HORIZONTAL	3	EA	157.20	LB
	3.319.0018.201	A	SUB HORIZONTAL	6	EA	66.60	LB
	3.319.0230.001	A	CONNECTION PLATE (V8" LEG - 18' H/H)	3	EA	69.00	LB
	3.319.0154.002	A	SUB CONNECTION PLATE	6	EA	46.80	LB
	3.319.0210.002	A	CLIP ANGLE	3	EA	9.90	LB
	3.319.0210.004	A	PLAN BRACE	3	EA	76.80	LB
	1202041		5/8" X 1-1/2" A325 BOLT ASS'Y - HDG	7	EA	2.59	LB
	1202072		3/4" X 2" A325 BOLT ASS'Y - HDG	57	EA	35.63	LB
	1202074		3/4" X 2-1/2" A325 BOLT ASS'Y - HDG	38	EA	26.30	LB
	1202213		3/4" F-436 FLAT WASHER - HDG kanban	50	EA	1.80	LB
	1202075		3/4" X 2-3/4" A325 BOLT ASS'Y - HDG	13	EA	9.40	LB
			Page Sub Total Weight (not 5.)			3,906.41	
			Page Sub Total Weight (5.)			0.00	
			Page Sub Total Weight			3,906.41	

<u>LotID</u>	<u>Part ID</u>	<u>Rev</u>	<u>Description</u>	<u>Ext Qty</u>	<u>UM</u>	<u>Ext Weight</u>	<u>UM</u>
<b>2</b>	<b>9.915.7</b>		<b>MAST MATERIAL</b>				
	4.319.0436.001	A	SA19.0016.08.05.16.2.1.0 <i>PAINT: ORANGE PAINT COMPLETE PART EXCEPT LEG REFER TO DWG 159737.319.900 FOR PAINT SCHEME REFER TO 9.963.95 FOR SPEC</i>	1	EA		
	3.319.0068.009	A	REGULAR LEG - V 6"x6"x3/4" (16' H/H)	3	EA	1716.90	LB
	3.319.0037.407	A	TOP K-BRACE DIAGONAL	6	EA	324.60	LB
	3.319.0037.109	A	BOTTOM K-BRACE DIAGONAL	3	EA	445.80	LB
	3.319.0037.209	A	BOTTOM K-BRACE DIAGONAL	3	EA	373.20	LB
	3.319.0037.301	A	SUB DIAGONAL	6	EA	97.80	LB
	3.319.0209.001	A	K-BRACE HORIZONTAL	3	EA	111.00	LB
	3.319.0038.201	A	SUB HORIZONTAL	6	EA	46.20	LB
	3.319.0208.001	A	CONNECTION PLATE - 16' H/H V6" LEG	3	EA	49.80	LB
	3.319.0154.003	A	SUB CONNECTION PLATE	6	EA	42.60	LB
	3.319.0210.001	A	CLIP ANGLE	3	EA	9.90	LB
	3.319.0210.014	A	PLAN BRACE	3	EA	53.10	LB
	1202041		5/8" X 1-1/2" A325 BOLT ASS'Y - HDG	7	EA	2.59	LB
	1202043		5/8" X 2" A325 BOLT ASS'Y - HDG PAILS	56	EA	23.13	LB
	1202044		5/8" X 2-1/4" A325 BOLT ASS'Y-HDG PAILS	50	EA	21.85	LB
	1202212		5/8" F-436 FLAT WASHER - HDG RACK	13	EA	0.51	LB
			Page Sub Total Weight (not 5.)			3,318.98	
			Page Sub Total Weight (5.)			0.00	
			Page Sub Total Weight			3,318.98	

<u>LotID</u>	<u>Part ID</u>	<u>Rev</u>	<u>Description</u>	<u>Ext Qty</u>	<u>UM</u>	<u>Ext Weight</u>	<u>UM</u>
<b>2</b>	<b>9.915.8</b>		<b>MAST MATERIAL</b>				
	4.319.0573.001	A	SA19.0014.07.05.07.1.1.0 MODIFIED	1	EA		
			<i>PAINT: WHITE</i> <i>PAINT COMPLETE PART EXCEPT LEG</i> <i>REFER TO DWG 159737.319.900 FOR PAINT</i> <i>SCHEME</i> <i>REFER TO 9.963.95 FOR SPEC</i>				
	3.319.0069.010	A	REGULAR LEG - V 6"x6"x5/8" (14' H/H)	3	EA	1447.50	LB
	3.319.0039.407	A	TOP K-BRACE DIAGONAL	6	EA	299.40	LB
	3.319.0039.108	A	BOTTOM K-BRACE DIAGONAL	3	EA	275.10	LB
	3.319.0039.208	A	BOTTOM K-BRACE DIAGONAL	3	EA	288.90	LB
	3.319.0039.301	A	SUB DIAGONAL	6	EA	93.60	LB
	3.319.0209.011	A	K-BRACE HORIZONTAL	3	EA	95.40	LB
	3.319.0040.201	A	SUB HORIZONTAL	6	EA	39.00	LB
	3.319.0217.001	A	CONNECTION PLATE - 14' H/H V6" LEG	3	EA	52.20	LB
	3.319.0154.003	A	SUB CONNECTION PLATE	6	EA	42.60	LB
	3.319.0210.001	A	CLIP ANGLE	3	EA	9.90	LB
	3.319.0210.013	A	PLAN BRACE	2	EA	30.40	LB
	3.319.0218.001	A	INT LADDER HORIZ V6" LEG - 14' H/H	1	EA	30.50	LB
	1202041		5/8" X 1-1/2" A325 BOLT ASS'Y - HDG	7	EA	2.59	LB
	1202043		5/8" X 2" A325 BOLT ASS'Y - HDG PAILS	33	EA	13.63	LB
	1202044		5/8" X 2-1/4" A325 BOLT ASS'Y-HDG PAILS	50	EA	21.85	LB
	1202212		5/8" F-436 FLAT WASHER - HDG RACK	63	EA	2.46	LB
	1202045		5/8" X 2-1/2" A325 BOLT ASS'Y - HDG	25	EA	11.40	LB
			Page Sub Total Weight (not 5.)			2,756.43	
			Page Sub Total Weight (5.)			0.00	
			Page Sub Total Weight			2,756.43	

<u>LotID</u>	<u>Part ID</u>	<u>Rev</u>	<u>Description</u>	<u>Ext Qty</u>	<u>UM</u>	<u>Ext Weight</u>	<u>UM</u>
<b>2</b>	<b>9.915.9</b>		<b>MAST MATERIAL</b>				
	4.319.0519.001	A	SA19.0012.05.02.00.2.1.0 MODIFIED	1	EA		
			<i>PAINT: WHITE</i>				
			<i>PAINT COMPLETE PART EXCEPT LEG</i>				
			<i>REFER TO DWG 159737.319.900 FOR PAINT</i>				
			<i>SCHEME</i>				
			<i>REFER TO 9.963.95 FOR SPEC</i>				
	3.319.0349.001	A	TRANSITION LEG - V 6"x6"x1/2" (12' H/H)	3	EA	1172.40	LB
	3.319.0052.003	D	X-BRACE HORIZONTAL	6	EA	73.80	LB
	3.319.0052.004	D	X-BRACE HORIZONTAL	6	EA	66.00	LB
	3.319.0354.001	A	X-BRACE DIAGONAL	6	EA	448.20	LB
	3.319.0354.002	A	X-BRACE DIAGONAL	6	EA	423.60	LB
	3.319.0106.004	A	CONN PLATE (X-B 1/2" LEG 12' H/H)	6	EA	65.40	LB
	1202044		5/8" X 2-1/4" A325 BOLT ASS'Y-HDG PAILS	45	EA	19.67	LB
	1202043		5/8" X 2" A325 BOLT ASS'Y - HDG PAILS	50	EA	20.65	LB
			Page Sub Total Weight (not 5.)			2,289.72	
			Page Sub Total Weight (5.)			0.00	
			Page Sub Total Weight			2,289.72	

<u>LotID</u>	<u>Part ID</u>	<u>Rev</u>	<u>Description</u>	<u>Ext Qty</u>	<u>UM</u>	<u>Ext Weight</u>	<u>UM</u>
<b>2</b>	<b>9.915.10</b>		<b>MAST MATERIAL</b>				
	4.319.0439.001	A	SA19.0010.04.04.00.1.1.9 <i>PAINT: ORANGE PAINT COMPLETE PART EXCEPT LEG REFER TO DWG 159737.319.900 FOR PAINT SCHEME REFER TO 9.963.95 FOR SPEC</i>	1	EA		
	3.319.0136.001	A	TRANSITION LEG - V 5"x5"x1/2"	3	EA	969.00	LB
	3.319.0053.007	A	X-BRACE DIAGONAL	6	EA	402.00	LB
	3.319.0053.008	A	X-BRACE DIAGONAL	6	EA	381.00	LB
	3.319.0054.001	A	X-BRACE HORIZONTAL	6	EA	60.60	LB
	3.319.0054.002	A	X-BRACE HORIZONTAL	6	EA	52.80	LB
	3.319.0060.001	A	STRAIGHT 8' SECTION HORIZONTAL	3	EA	59.10	LB
	3.319.0107.004	A	LOWER CONN PLATE (X-B 1/2" LEG 10' H/H)	3	EA	32.70	LB
	3.319.0107.104	A	UPPER CONN PLATE (X-B 1/2" LEG 10' H/H)	3	EA	32.70	LB
	1202043		5/8" X 2" A325 BOLT ASS'Y - HDG PAILS	69	EA	28.50	LB
	1202044		5/8" X 2-1/4" A325 BOLT ASS'Y-HDG PAILS	7	EA	3.06	LB
			Page Sub Total Weight (not 5.)			2,021.46	
			Page Sub Total Weight (5.)			0.00	
			Page Sub Total Weight			2,021.46	

<u>LotID</u>	<u>Part ID</u>	<u>Rev</u>	<u>Description</u>	<u>Ext Qty</u>	<u>UM</u>	<u>Ext Weight</u>	<u>UM</u>
<b>2</b>	<b>9.915.11</b>		<b>MAST MATERIAL</b>				
	4.319.0554.001	A	SA19.10408.03.02.02.0 MODIFIED	1	EA		
			<i>PAINT: ORANGE PAINT COMPLETE PART EXCEPT LEG REFER TO DWG 159737.319.900 FOR PAINT SCHEME REFER TO 9.963.95 FOR SPEC</i>				
	3.319.0168.001	A	REGULAR LEG - V 5"x5"x3/8"	3	EA	716.10	LB
	3.319.0059.012	G	STRAIGHT 8' SECTION DIAGONAL	24	EA	1092.00	LB
	3.319.0060.004	A	STRAIGHT 8' SECTION HORIZONTAL	3	EA	74.40	LB
	1202043		5/8" X 2" A325 BOLT ASS'Y - HDG PAILS	56	EA	23.13	LB
	1202044		5/8" X 2-1/4" A325 BOLT ASS'Y-HDG PAILS	13	EA	5.68	LB
	1202212		5/8" F-436 FLAT WASHER - HDG RACK	6	EA	0.23	LB
	3.963.0700.106	A	3/8" THK 1 HOLE SPACER (11/16" DIA)	13	EA	1.69	LB
			Page Sub Total Weight (not 5.)			1,913.23	
			Page Sub Total Weight (5.)			0.00	
			Page Sub Total Weight			1,913.23	

<u>LotID</u>	<u>Part ID</u>	<u>Rev</u>	<u>Description</u>	<u>Ext Qty</u>	<u>UM</u>	<u>Ext Weight</u>	<u>UM</u>
<b>2</b>	<b>9.915.12</b>		<b>MAST MATERIAL</b>				
	4.319.0560.001		SA19.13108.02.02.02 <i>MODIFIED</i>	1	EA		
			<i>PAINT: ORANGE</i> <i>PAINT COMPLETE PART EXCEPT LEG</i> <i>REFER TO DWG 159737.319.900 FOR PAINT SCHEME</i> <i>REFER TO 9.963.95 FOR SPEC</i>				
	3.319.0122.001	B	REGULAR LEG - V 4"x4"x5/16" (STR)	3	EA	477.30	LB
	3.319.0060.004	A	STRAIGHT 8' SECTION HORIZONTAL	3	EA	74.40	LB
	3.319.0059.007	B	STRAIGHT 8' SECTION DIAGONAL	24	EA	684.00	LB
	1202043		5/8" X 2" A325 BOLT ASS'Y - HDG PAILS	19	EA	7.85	LB
	1202042		5/8" X 1-3/4" A325 BOLT ASS'Y-HDG PAILS	50	EA	19.60	LB
	1202212		5/8" F-436 FLAT WASHER - HDG RACK	23	EA	0.90	LB
	3.963.0700.105	A	5/16" THK 1 HOLE SPACER (11/16" DIA)	13	EA	1.69	LB
			Page Sub Total Weight (not 5.)			1,265.73	
			Page Sub Total Weight (5.)			0.00	
			Page Sub Total Weight			1,265.73	



<u>LotID</u>	<u>Part ID</u>	<u>Rev</u>	<u>Description</u>	<u>Ext Qty</u>	<u>UM</u>	<u>Ext Weight</u>	<u>UM</u>
<b>2</b>	<b>9.915.13</b>		<b>MAST MATERIAL</b>				
	4.319.0560.001		SA19.13108.02.02.02	1	EA		
			<i>MODIFIED</i>				
			<i>PAINT: ORANGE</i>				
			<i>PAINT COMPLETE PART EXCEPT LEG</i>				
			<i>REFER TO DWG 159737.319.900 FOR PAINT SCHEME</i>				
			<i>REFER TO 9.963.95 FOR SPEC</i>				
	3.319.0128.001	A	REGULAR LEG - V 4"x4"x5/16" (STR)	3	EA	241.80	LB
	3.319.0060.004	A	STRAIGHT 8' SECTION HORIZONTAL	3	EA	74.40	LB
	3.319.0059.007	B	STRAIGHT 8' SECTION DIAGONAL	12	EA	342.00	LB
	1202043		5/8" X 2" A325 BOLT ASS'Y - HDG PAILS	7	EA	2.89	LB
	1202042		5/8" X 1-3/4" A325 BOLT ASS'Y-HDG PAILS	32	EA	12.54	LB
	3.963.0700.105	A	5/16" THK 1 HOLE SPACER (11/16" DIA)	7	EA	0.91	LB
			Page Sub Total Weight (not 5.)			674.55	
			Page Sub Total Weight (5.)			0.00	
			Page Sub Total Weight			674.55	

<u>LotID</u>	<u>Part ID</u>	<u>Rev</u>	<u>Description</u>	<u>Ext Qty</u>	<u>UM</u>	<u>Ext Weight</u>	<u>UM</u>
<b>2</b>	<b>9.918.1</b>		<b>LADDER MATERIAL</b>				
	4.918.0100.001		BASE LADDER KIT - KDSS INTERNAL	1	EA		
	3.918.0364.001	A	2-1/2' LADDER	1	EA	19.74	LB
	4.918.0100.019		19' LADDER KIT - KDSS INTERNAL	11	EA		
	3.918.0219.001	A	19' LADDER SECTION	11	EA	1785.30	LB
	3.918.0225.001	A	LADDER BRACKET	11	EA	77.00	LB
	3.918.0364.002	A	LADDER CLIP	22	EA	11.00	LB
	1202021		1/2" X 1-1/2" A325 BOLT ASSY-HDG PAILS	33	EA	7.00	LB
			800 PER PAIL				
	1202022		1/2" X 1-3/4" A325 BOLT ASS'Y-HDG PAILS	33	EA	7.43	LB
	4.924.0007.001		ANGLE LADDER SPLICE KIT	11	EA		
	3.918.0322.001	A	LADDER SPLICE	M	EA	48.40	LB
	1202021		1/2" X 1-1/2" A325 BOLT ASSY-HDG PAILS	M	EA	37.31	LB
			800 PER PAIL				
	4.918.0100.009		9.5' LADDER KIT - KDSS INTERNAL	1	EA		
	3.918.0219.002	A	9.5' LADDER SECTION	1	EA	80.00	LB
			***ONLY TO BE USED AT TOP OF TOWER***				
	3.918.0225.001	A	LADDER BRACKET	1	EA	7.00	LB
	3.918.0364.002	A	LADDER CLIP	2	EA	1.00	LB
	1202021		1/2" X 1-1/2" A325 BOLT ASSY-HDG PAILS	3	EA	0.64	LB
			800 PER PAIL				
	1202022		1/2" X 1-3/4" A325 BOLT ASS'Y-HDG PAILS	3	EA	0.68	LB
	4.924.0007.001		ANGLE LADDER SPLICE KIT	1	EA		
	3.918.0322.001	A	LADDER SPLICE	M	EA	4.40	LB
	1202021		1/2" X 1-1/2" A325 BOLT ASSY-HDG PAILS	M	EA	3.39	LB
			800 PER PAIL				
	4.918.0101.053		SA19L.0026.13	1	EA		
			319 KDSS LADDER KIT				
			26' H/H - V 8"x8"x1" LEG				
			MODIFIED				
	3.319.0061.006	A	LADDER SUPPORT (1-1/8" THK. 1-3/8" Ga)	1	EA	35.20	LB
	1202042		5/8" X 1-3/4" A325 BOLT ASS'Y-HDG PAILS	3	EA	1.18	LB
	4.918.0101.053		SA19L.0026.13	1	EA		
			319 KDSS LADDER KIT				
			26' H/H - V 8"x8"x1" LEG				
	3.319.0061.005	A	LADDER SUPPORT (1" THK. 1-3/8" Ga)	1	EA	35.20	LB
	1202042		5/8" X 1-3/4" A325 BOLT ASS'Y-HDG PAILS	3	EA	1.18	LB
	4.918.0101.055		SA19L.0022.12	1	EA		
			319 KDSS LADDER KIT				
			22' H/H - V 8"x8"x7/8" LEG				
	3.319.0061.004	A	LADDER SUPPORT (7/8" THK. 1-3/8" Ga)	1	EA	35.00	LB
	1202042		5/8" X 1-3/4" A325 BOLT ASS'Y-HDG PAILS	3	EA	1.18	LB
	4.918.0101.056		SA19L.0020.11	1	EA		
			319 KDSS LADDER KIT				
			20' H/H - V 8"x8"x3/4" LEG				
	3.319.0061.003	A	LADDER SUPPORT (3/4" THK. 1-3/8" Ga)	1	EA	35.00	LB
	1202042		5/8" X 1-3/4" A325 BOLT ASS'Y-HDG PAILS	3	EA	1.18	LB
	4.918.0101.012		SA19L.0018.10	1	EA		
			319 KDSS LADDER KIT				
			18' H/H - V 8"x8"x5/8" LEG				
	3.319.0061.002	A	LADDER SUPPORT (5/8" THK. 1-3/8" Ga)	1	EA	34.90	LB
	1202042		5/8" X 1-3/4" A325 BOLT ASS'Y-HDG PAILS	3	EA	1.18	LB
	4.918.0101.023		SA19L.0016.08	1	EA		
			319 KDSS LADDER KIT				
			16' H/H - V 6"x6"x3/4" LEG				
	3.319.0111.006	A	INT LADDER HORIZ V6 x 3/4 - 16' H/H	1	EA	34.50	LB
	1202042		5/8" X 1-3/4" A325 BOLT ASS'Y-HDG PAILS	3	EA	1.18	LB
	4.918.0101.030		SA19L.0012.05	1	EA		
			319 KDSS LADDER KIT				
			12' H/H - V 5"x5"x5/8" LEG				

<u>LotID</u>	<u>Part ID</u>	<u>Rev</u>	<u>Description</u>	<u>Ext Qty</u>	<u>UM</u>	<u>Ext Weight</u>	<u>UM</u>
			<i>MODIFIED</i>				
3.319.0113.004		B	INT LADDER HORIZ V6 x 1/2 - 12' H/H	1	EA	42.30	LB
1202042			5/8" X 1-3/4" A325 BOLT ASS'Y-HDG PAILS	3	EA	1.18	LB
4.918.0101.033			SA19L.0010.04	1	EA		
			<i>319 KDSS LADDER KIT</i>				
			<i>10' H/H - V 5"x5"x1/2" LEG</i>				
3.319.0061.009		A	LADDER SUPPORT (1/2" THK. 1-1/8" Ga)	1	EA	34.70	LB
1202042			5/8" X 1-3/4" A325 BOLT ASS'Y-HDG PAILS	3	EA	1.18	LB
4.918.0101.038			SA19L.0030.10	1	EA		
			<i>319 KDSS LADDER KIT</i>				
			<i>8' H/H - V 5"x5"x3/8" LEG</i>				
3.319.0061.002		A	LADDER SUPPORT (5/8" THK. 1-3/8" Ga)	1	EA	34.90	LB
1202042			5/8" X 1-3/4" A325 BOLT ASS'Y-HDG PAILS	3	EA	1.18	LB
4.918.0101.046			SA19L.10408.01	2	EA		
			<i>319 KDSS LADDER KIT</i>				
			<i>8' H/H STRAIGHT SECTION - V 4"x4"x1/4" LEG</i>				
3.319.0061.007		A	LADDER SUPPORT (1/4_5/16" THK 1-1/8" Ga)	2	EA	69.00	LB
1202042			5/8" X 1-3/4" A325 BOLT ASS'Y-HDG PAILS	6	EA	2.35	LB
4.963.0001.085		-	3/8" X 5" J-BOLT ASSEMBLY	16	EA		
			<i>THESE J-BOLTS WILL ALSO HAVE A RUBBER STOP ON THE END TO KEEP HARDWARE ON. 4/29/15</i>				
3.963.0700.503		E	3/16" THK 1 HOLE SPACER (1/2" DIA)	16	EA	3.36	LB
3.918.0382.001		A	REST PLATFORM	4	EA	84.00	LB

Page Sub Total Weight (not 5.) 2,585.27

Page Sub Total Weight (5.) 0.00

Page Sub Total Weight 2,585.27

<u>LotID</u>	<u>Part ID</u>	<u>Rev</u>	<u>Description</u>	<u>Ext Qty</u>	<u>UM</u>	<u>Ext Weight</u>	<u>UM</u>
<b>2</b>	<b>9.918.2</b>		<b>ADDT'L LADDER MATERIAL</b>				
	4.918.0062.001		INT. LADDER CANTILEVER (2" TIE RODS)	1	EA		
			<i>MODIFIED</i>				
	1202044		5/8" X 2-1/4" A325 BOLT ASS'Y-HDG PAILS	5	EA	2.19	LB
	1202045		5/8" X 2-1/2" A325 BOLT ASS'Y - HDG	9	EA	4.10	LB
	3.918.0380.001	A	18" PANEL	2	EA	65.60	LB
	3.918.0342.001	A	LADDER ANGLE	1	EA	13.90	LB
	3.918.0383.002	A	CANTILEVER ANGLE 2" TIE ROD	4	EA	84.00	LB
	3.918.0383.001	A	CANTILEVER ANGLE	2	EA	216.80	LB
			<i>2" DIAMETER TIE ROD</i>				
			<i>8" LEGS</i>				
	1203428		DIAMOND GRIP GRATING ATTACHMENT KIT	8	EA	4.60	LB
			<i>AMICO DIAMOND GRIP GRATING ATTACHMENT KIT</i>				
			<i>CONTAINS:</i>				
			<i>(1) DIAMOND GRIP BOLT SEAT #HBSRG11060202</i>				
			<i>(1) J-CLIP #HJCLIPSZ0212</i>				
			<i>(1) 3/8"-16 x 3-1/2" HEX HEAD BOLT #HBHZ0616035</i>				
			<i>(1) 3/8"-16 HEX HEAD NUT #HMHZ0616</i>				
			<i>(1) 3/8" FLAT WASHER #HWFG06</i>				
			Page Sub Total Weight (not 5.)			391.19	
			Page Sub Total Weight (5.)			0.00	
			Page Sub Total Weight			391.19	

<u>LotID</u>	<u>Part ID</u>	<u>Rev</u>	<u>Description</u>	<u>Ext Qty</u>	<u>UM</u>	<u>Ext Weight</u>	<u>UM</u>
<b>2</b>	<b>9.924.1</b>		<b>SPLICE MATERIAL</b>				
	4.924.0006.041	-	KDSS ANGLE LEG SPLICE #41 <i>V 8"x8"x1-1/8" TOP &amp; BOTTOM</i>	1	EA		
	3.924.0214.001	A	OUTER SPLICE PLATE	6	EA	250.20	LB
	3.924.0214.002	A	INNER SPLICE PLATE	6	EA	153.00	LB
	1202080		3/4" X 4" A325 BOLT ASS'Y - HDG	100	EA	87.80	LB
	4.924.0006.040	-	KDSS ANGLE LEG SPLICE #40 <i>V 8"x8"x1" TOP &amp; V 8"x8"x1-1/8" BOTTOM</i>	1	EA		
	3.924.0218.001	A	OUTER SPLICE PLATE	6	EA	236.40	LB
	3.924.0218.002	A	INNER SPLICE PLATE	6	EA	120.60	LB
	3.924.0218.003	A	FILLER PLATE (16 Ga)	6	EA	5.40	LB
	1202080		3/4" X 4" A325 BOLT ASS'Y - HDG	94	EA	82.53	LB
	4.924.0006.038	-	KDSS ANGLE LEG SPLICE #38 <i>V 8"x8"x7/8" TOP &amp; V 8"x8"x1" BOTTOM</i>	1	EA		
	3.924.0213.001	A	OUTER SPLICE PLATE	6	EA	167.40	LB
	3.924.0213.002	A	INNER SPLICE PLATE	6	EA	99.60	LB
	3.924.0213.003	A	FILLER PLATE (16 Ga)	12	EA	10.80	LB
	1202079		3/4" X 3-3/4" A325 BOLT ASS'Y - HDG	87	EA	73.69	LB
	4.924.0006.036	-	KDSS ANGLE LEG SPLICE #36 <i>V 8"x8"x3/4" TOP &amp; V 8"x8"x7/8" BOTTOM</i>	1	EA		
	3.924.0217.001	A	OUTER SPLICE PLATE	6	EA	179.40	LB
	3.924.0217.002	A	INNER SPLICE PLATE	6	EA	106.80	LB
	3.924.0217.003	A	FILLER PLATE (16 Ga)	6	EA	4.80	LB
	1202079		3/4" X 3-3/4" A325 BOLT ASS'Y - HDG	81	EA	68.61	LB
	4.924.0006.033	-	KDSS ANGLE LEG SPLICE #33 <i>V 8"x8"x5/8" TOP &amp; V 8"x8"x3/4" BOTTOM</i>	1	EA		
	3.924.0212.001	A	OUTER SPLICE PLATE	6	EA	167.40	LB
	3.924.0212.002	A	INNER SPLICE PLATE	6	EA	99.60	LB
	3.924.0212.003	A	FILLER PLATE (16 Ga)	6	EA	4.80	LB
	1202078		3/4" X 3-1/2" A325 BOLT ASS'Y - HDG	75	EA	61.20	LB
	4.924.0006.030	-	KDSS ANGLE LEG SPLICE #30 <i>V 6"x6"x3/4" TOP &amp; V 8"x8"x5/8" BOTTOM</i>	1	EA		
	3.924.0216.001	A	OUTER SPLICE PLATE	6	EA	199.20	LB
	3.924.0216.002	A	INNER SPLICE PLATE	6	EA	118.80	LB
	3.924.0216.003	A	FILLER PLATE (16 Ga)	6	EA	4.80	LB
	1202049		5/8" X 3-1/2" A325 BOLT ASS'Y - HDG	38	EA	20.63	LB
	1202078		3/4" X 3-1/2" A325 BOLT ASS'Y - HDG	38	EA	31.01	LB
	4.924.0006.027	-	KDSS ANGLE LEG SPLICE #27 <i>V 6"x6"x5/8" TOP &amp; V 6"x6"x3/4" BOTTOM</i>	1	EA		
	3.924.0211.001	A	OUTER SPLICE PLATE	6	EA	90.60	LB
	3.924.0211.002	A	INNER SPLICE PLATE	6	EA	70.80	LB
	3.924.0211.003	A	FILLER PLATE (16 Ga)	6	EA	3.60	LB
	1202046		5/8" X 2-3/4" A325 BOLT ASS'Y - HDG	69	EA	32.98	LB
	4.924.0006.024	-	KDSS ANGLE LEG SPLICE #24 <i>V 6"x6"x1/2" TOP &amp; V 6"x6"x5/8" BOTTOM</i>	1	EA		
	3.924.0203.001	A	OUTER SPLICE PLATE	6	EA	82.80	LB
	3.924.0203.002	A	INNER SPLICE PLATE	6	EA	64.20	LB
	3.924.0203.003	A	FILLER PLATE (16 Ga)	12	EA	8.40	LB
	1202046		5/8" X 2-3/4" A325 BOLT ASS'Y - HDG	63	EA	30.11	LB
	4.924.0006.018	-	KDSS ANGLE LEG SPLICE #18 <i>V 5"x5"x1/2" TOP &amp; V 6"x6"x1/2" BOTTOM</i>	1	EA		
	3.924.0207.001	A	OUTER SPLICE PLATE	6	EA	66.60	LB
	3.924.0207.002	A	INNER SPLICE PLATE	6	EA	39.00	LB
	1202046		5/8" X 2-3/4" A325 BOLT ASS'Y - HDG	50	EA	23.90	LB
	4.924.0006.014	-	KDSS ANGLE LEG SPLICE #14 <i>V 5"x5"x3/8" TOP &amp; V 5"x5"x1/2" BOTTOM</i>	1	EA		
	3.924.0201.001	A	OUTER SPLICE PLATE	6	EA	33.60	LB
	3.924.0201.002	A	INNER SPLICE PLATE	6	EA	25.20	LB

<u>LotID</u>	<u>Part ID</u>	<u>Rev</u>	<u>Description</u>	<u>Ext Qty</u>	<u>UM</u>	<u>Ext Weight</u>	<u>UM</u>
	3.924.0201.003	A	FILLER PLATE (10 Ga)	6	EA	4.20	LB
	1202045		5/8" X 2-1/2" A325 BOLT ASS'Y - HDG	38	EA	17.33	LB
	4.924.0006.008	-	KDSS ANGLE LEG SPLICE #8	1	EA		
			<i>V 4"x4"x5/16" TOP &amp; V 5"x5"x3/8" BOTTOM</i>				
	3.924.0200.001	A	OUTER SPLICE PLATE	6	EA	29.40	LB
	3.924.0200.002	A	INNER SPLICE PLATE	6	EA	21.00	LB
	1202044		5/8" X 2-1/4" A325 BOLT ASS'Y-HDG PAILS	38	EA	16.61	LB
	4.924.0006.006		KDSS ANGLE LEG SPLICE #6	1	EA		
	3.924.0200.001	A	OUTER SPLICE PLATE	6	EA	29.40	LB
	3.924.0200.002	A	INNER SPLICE PLATE	6	EA	21.00	LB
	1202044		5/8" X 2-1/4" A325 BOLT ASS'Y-HDG PAILS	38	EA	16.61	LB
			Page Sub Total Weight (not 5.)			3,148.93	
			Page Sub Total Weight (5.)			0.00	
			Page Sub Total Weight			3,148.93	

<u>LotID</u>	<u>Part ID</u>	<u>Rev</u>	<u>Description</u>	<u>Ext Qty</u>	<u>UM</u>	<u>Ext Weight</u>	<u>UM</u>
<b>2</b>	<b>9.939.1</b>		<b>W/G MATERIAL</b>				
	4.939.0083.019		Tx-BRACKET KIT - 19' INTERNAL LADDER	11	EA		
	3.939.0362.001	A	Tx BRACKET	132	EA	303.60	LB
	1202020		1/2" X 1-1/4" A325 BOLT ASS'Y - HDG	275	EA	54.73	LB
	4.939.0083.009		Tx-BRACKET KIT - 9.5' INTERNAL LADDER	1	EA		
	3.939.0362.001	A	Tx BRACKET	6	EA	13.80	LB
	1202020		1/2" X 1-1/4" A325 BOLT ASS'Y - HDG	13	EA	2.59	LB
			Page Sub Total Weight (not 5.)			374.71	
			Page Sub Total Weight (5.)			0.00	
			Page Sub Total Weight			374.71	

<u>LotID</u>	<u>Part ID</u>	<u>Rev</u>	<u>Description</u>	<u>Ext Qty</u>	<u>UM</u>	<u>Ext Weight</u>	<u>UM</u>
2	9.963.95		<b>B.O.M. NOTES</b>				
	9.963.108		CUSTOM PAINT SPEC	1	EA		
			<i>SPECIAL NOTE PER CUSTOMER:</i>				
			<i>PAINT PRIMER BEFORE TOP COAT</i>				
			<i>PRIMER: MACROPOXY 646-100</i>				
			<i>TOP COAT: SHERLOXANE 800</i>				
			<i>Obstruction paint colour in accordance with United States Federal Standard FED-STD-595B Paint Specification / International Orange, colour code 12197 (RGB Hex Code BA160C) Insignia White, colour code 17875 (RGB Hex Code EDF2F8)</i>				
			Page Sub Total Weight (not 5.)			0.00	
			Page Sub Total Weight (5.)			0.00	
			Page Sub Total Weight			0.00	



<u>LotID</u>	<u>Part ID</u>	<u>Rev</u>	<u>Description</u>	<u>Ext Qty</u>	<u>UM</u>	<u>Ext Weight</u>	<u>UM</u>
<b>3</b>	<b>9.912.2</b>		<b>ABOVE GRADE GROUNDING MATERIAL</b>				
	4.912.1012.001		UNIVERSAL LIGHTNING ROD KIT (COPPERCLAD)	1	EA		
	3.912.0060.101	H	COPPERCLAD LIGHTNING ROD 3/4" x 60"	1	EA	7.50	LB
	3.912.0060.002	A	MOUNTING PLATE - 2-7/8" PIPE	1	EA	6.90	LB
	3.960.0067.020	A	2.875" OD x 0.203" WALL x 20' PIPE	1	EA	121.59	LB
	4.963.0001.001	-	3/8" U-BOLT ASS'Y (3/4"S.R.)	2	EA	0.44	LB
	4.963.0001.208	-	1/2" U-BOLT ASSEMBLY (3") KANBAN	2	EA	1.80	LB
	5.960.0005.003	-	UNIVERSAL CROSSOVER ASS'Y (5-5/8"OD)	2	EA		
	3.930.0005.002	-	LARGE UNIVERSAL PIPE-PIPE PLATE	M	2 EA	15.40	LB
	3.963.0209.001	A	MEDIUM BACKING CHANNEL STAMP PART NUMBER	M	8 EA	22.40	LB
	4.963.0019.210	-	1/2" X 10" GALV THREAD ROD ASS'Y 2 flat washers, 2 lock washers, 2 nuts	M	8 EA	6.00	LB
	1201346	-	1/2"X2"HXHD BOLT GR5 FULL THRD HDG RACK	M	8 EA	1.21	LB
	1201120	-	1/2" HEX NUT GR. 5 - HDG RACK	M	8 EA	0.29	LB
	1201121	-	1/2" LOCK WASHER GR. 5 - HDG RACK	M	8 EA	0.08	LB
	1201122	-	1/2" FLAT WASHER GR. 5 - HDG RACK	M	8 EA	0.16	LB
	4.912.1007.001	-	BUSS BAR KIT (INTERNAL LADDER) - TINNED KIT CONTAINS MATERIAL FOR ONE BUSS BAR ASSEMBLY	1	EA		
	3.912.0053.001	A	TINNED COPPER BUS BAR; 6"x24"x1/4"	1	EA	11.63	LB
	3.912.0061.001	A	BUSS BAR MOUNT	1	EA	3.10	LB
	3.963.0104.003	A	3/8" N-BOLT	2	EA	0.84	LB
	1201050	-	3/8" HEX NUT GR. 5 - HDG RACK	4	EA	0.08	LB
	1201051	-	3/8" LOCK WASHER GR. 5 - HDG RACK	4	EA	0.02	LB
	4.963.0022.125	-	3/8" x 1-1/4" GR.5 BOLT ASS'Y	6	EA	0.42	LB
	1201062	-	3/8" X 1-1/4" HEX HEAD BOLT GR5 HDG RACK	M	6 EA	0.29	LB
	1201050	-	3/8" HEX NUT GR. 5 - HDG RACK	M	6 EA	0.12	LB
	1201051	-	3/8" LOCK WASHER GR. 5 - HDG RACK	M	6 EA	0.03	LB
			Page Sub Total Weight (not 5.)			154.76	
			Page Sub Total Weight (5.)			45.54	
			Page Sub Total Weight			200.30	

<u>LotID</u>	<u>Part ID</u>	<u>Rev</u>	<u>Description</u>	<u>Ext Qty</u>	<u>UM</u>	<u>Ext Weight</u>	<u>UM</u>
<b>3</b>	<b>9.936.1</b>		<b>ANTI-CLIMBER MATERIAL</b>				
	4.936.0023.001		INTERIOR APEX ANGLE LADDER ANTI-CLIMBER	1	EA		
	3.936.0003.001	A	GATE	1	EA	21.00	LB
	3.936.0003.102	A	SCREEN	1	EA	42.00	LB
	3.936.0003.003	A	SCREEN	2	EA	16.80	LB
	3.939.0092.001	A	MOUNTING CLIP	4	EA	8.00	LB
	3.936.0003.005	A	CLIP	4	EA	2.12	LB
	3.936.0003.006	A	CLIP	4	EA	1.68	LB
	3.936.0097.001	A	MOUNTING BRACKET	4	EA	12.00	LB
	4.963.0001.080	-	1/2" J-BOLT - HDG	8	EA		
	1202020		1/2" X 1-1/4" A325 BOLT ASS'Y - HDG	9	EA	1.79	LB
	1202021		1/2" X 1-1/2" A325 BOLT ASSY-HDG PAILS	5	EA	1.06	LB
	1202022		1/2" X 1-3/4" A325 BOLT ASS'Y-HDG PAILS	24	EA	5.40	LB
	1202180		1/2" A563 DH HEX NUT - HDG	3	EA	0.19	LB
	1202211		1/2" F-436 FLAT WASHER - HDG RACK	5	EA	0.10	LB
	3.963.0700.003	A	3/16" THK 1 HOLE SPACER (9/16" DIA)	20	EA	4.40	LB
	2203031		#3 KALH MASTER PADLOCK	1	EA	0.44	LB
		#3753					
	2203010		3/16" GR. 30 GALVANIZED CHAIN	2	FT	0.78	LB
			Page Sub Total Weight (not 5.)			117.76	
			Page Sub Total Weight (5.)			0.00	
			Page Sub Total Weight			117.76	

<u>LotID</u>	<u>Part ID</u>	<u>Rev</u>	<u>Description</u>	<u>Ext Qty</u>	<u>UM</u>	<u>Ext Weight</u>	<u>UM</u>	
<b>3</b>	<b>9.942.1</b>		<b>LIGHTING MATERIAL</b>					
	4.942.1301.002		`DIALIGHT A1 FIXTURE KIT (120VAC)	1	EA			
	1404501		DIALIGHT A1 RED LED KIT - 120VAC CONTAINS: (1) DIALIGHT D564-A13-001 RED LED BEACON (1 CARDBOARD BOX, 19"x14"x18") (2) DIALIGHT RTO-6R07-002 RED LED DOL (2 CARDBOARD BOXES, 13"x19"x7" OR 12"x24"x8") (1) GBX-A1-N4 GREENBOX LED LIGHTING CONTROLLER c/w PHOTOCELL (1 CARDBOARD BOX, 11"x14"x7")	1	EA			
	1404137		RVA JB3333V-08 JUNCTION BOX (3/4" NTP) Cast Aluminum Junction Box 6" x 8" x 5" Deep outside dimensions With cover, gasket and hardware 3/4" NTP ports, top/right/bottom/left 8 terminal blocks	3	EA	17.77	LB	
	3.942.0015.001	A	FDO-2-8-2222 ASSEMBLY FDO BOX: HOT DIP GALVANIZED	1	EA	6.00	LB	
	1404192		FS-200G COVER/GASKET/SCREWS	1	EA	0.93	LB	
	1404161		PLG-75RA AEP 3/4" PLUG	5	EA	0.13	LB	
	1404333	-	3/4" X 24" ALUMINUM NIPPLE THREADED 0.79" BOTH ENDS STANDARD PIPE THREAD	2	EA	1.58	LB	
	1404320	-	3/4" X 6" ALUMINUM NIPPLE THREADED 0.79" BOTH ENDS STANDARD PIPE THREAD	1	EA	0.19	LB	
	1404295		1/2" X 18" ALUMINUM CONDUIT THREADED 0.79" BOTH ENDS STANDARD PIPE THREAD	1	EA	0.42	LB	
	1404051		3/4" ALUMINUM COUPLING	2	EA	0.18	LB	
	1404050		1/2" ALUMINUM COUPLING	2	EA	0.12	LB	
	1403036		TMC2-050075A 1/2" APPLETON CONNECTOR SUITABLE SUB. IS A THOMAS & BETTS ST050-464 AND IBERVILLE CITEK-50-079  Replaced Appleton connector 5076 (1403035)	18	EA	2.92	LB	
	1404170		RB-75-50A REDUCER BUSHING	12	EA	0.24	LB	
	1403040		#31/331P MARR CONNECTOR	3	EA	0.01	LB	
	1404010		TY-RAP; 1/4" x 14" LG (TY27MX) 63130 STD PACKAGES OF 100	20	EA	0.40	LB	
	2205030		NUCO 302CLR80 CLEAR SQUEEZE TUBE	1	EA	0.25	LB	
	1202023		1/2" X 2" A325 BOLT ASS'Y - HDG RACK	5	EA	1.20	LB	
	1202211		1/2" F-436 FLAT WASHER - HDG RACK	5	EA	0.10	LB	
	4.942.1308.001		RVA JUNCTION BOX MOUNT (CONTAINS PARTS TO MOUNT ONE BOX)	3	EA			
	3.942.0075.001	A	JUNCTION BOX MOUNT	M	3	EA	12.60	LB
	3.963.0182.001	-	SMALL BACKING PLATE	M	3	EA	4.80	LB
	3.963.0183.001	A	LARGE BACKING CHANNEL	M	3	EA	12.60	LB
	4.963.0022.150		3/8" x 1-1/2" GR.5 BOLT ASS'Y	L	6	EA		
	1201063	-	3/8" X 1-1/2" HEX HEAD BOLT GR5 HDG RACK (CONTAINS PARTS TO MOUNT ONE BOX)	6	EA	0.32	LB	
	1201050	-	3/8" HEX NUT GR. 5 - HDG RACK (CONTAINS PARTS TO MOUNT ONE BOX)	6	EA	0.12	LB	
	1201051	-	3/8" LOCK WASHER GR. 5 - HDG RACK (CONTAINS PARTS TO MOUNT ONE BOX)	6	EA	0.03	LB	
	1201362		1/2"X6"HX HD BOLT GR5 FULL THRD HDG RACK	M	6	EA	2.25	LB
	4.963.0019.213	-	1/2" X 13" GALV THREAD ROD ASS'Y	M	6	EA	5.40	LB
	1202021		1/2" X 1-1/2" A325 BOLT ASSY-HDG PAILS 800 PER PAIL	M	9	EA	1.91	LB
	4.942.1308.002		APPLETON JUNCTION BOX MOUNT (CONTAINS PARTS TO MOUNT ONE BOX)	1	EA			
	3.963.0001.046							

<u>LotID</u>	<u>Part ID</u>	<u>Rev</u>	<u>Description</u>		<u>Ext Qty</u>	<u>UM</u>	<u>Ext Weight</u>	<u>UM</u>
		A	3/4" ALUMINUM BAR CLAMP	M	1	EA	0.05	LB
3.963.0001.047		A	7/8" ALUMINUM BAR CLAMP	M	1	EA	0.08	LB
1213050			STANDARD ANGLE ADAPTER (31768A)10PK	M	1	EA	0.35	LB
			<i>PACKAGED IN BOX OF 10</i>					
			<i>SOLD INDIVIDUALLY</i>					
4.942.1301.220			DIALIGHT A1 ELECTRICAL KIT (220' TWR)		1	EA		
1401001R			2#14 TECK 90		24	M		
1401002			3#14 TECK 90 CHECK LIST		104	M	76.78	LB
3.963.0001.045		A	11/16" ALUMINUM BAR CLAMP		126	EA	6.30	LB
4.963.0022.125			3/8" x 1-1/4" GR.5 BOLT ASS'Y		126	EA	8.82	LB
1201062		-	3/8" X 1-1/4" HEX HEAD BOLT GR5 HDG RACK	M	126	EA	6.05	LB
1201050		-	3/8" HEX NUT GR. 5 - HDG RACK	M	126	EA	2.52	LB
1201051		-	3/8" LOCK WASHER GR. 5 - HDG RACK	M	126	EA	0.63	LB
			Page Sub Total Weight (not 5.)				174.04	
			Page Sub Total Weight (5.)				0.00	
			Page Sub Total Weight				174.04	

<u>LotID</u>	<u>Part ID</u>	<u>Rev</u>	<u>Description</u>	<u>Ext Qty</u>	<u>UM</u>	<u>Ext Weight</u>	<u>UM</u>	
<b>3</b>	<b>9.942.2</b>		<b>LIGHTING MATERIAL</b>					
	3.942.0056.001	A	BEACON MOUNTING WELDMENT	1	EA	37.60	LB	
	4.942.0050.001		LIGHT FIXTURE MOUNT 'A' KIT	3	EA			
	3.942.0076.001	A	LIGHT FIXTURE MOUNT	3	EA	60.90	LB	
	3.963.0209.001	A	MEDIUM BACKING CHANNEL	6	EA	16.80	LB	
			<i>STAMP PART NUMBER</i>					
	4.963.0019.210	-	1/2" X 10" GALV THREAD ROD ASS'Y	12	EA	9.00	LB	
			<i>2 flat washers, 2 lock washers, 2 nuts</i>					
	4.963.0001.206	-	1/2" U-BOLT ASSEMBLY (3-1/2")	6	EA	5.40	LB	
	3.963.0001.028	A	3/4" CONDUIT ALUMINUM SADDLE CLAMP	6	EA	0.30	LB	
	3.963.0001.030	A	1/2" CONDUIT ALUMINUM SADDLE CLAMP	6	EA	0.30	LB	
	4.963.0022.150		3/8" x 1-1/2" GR.5 BOLT ASS'Y	12	EA			
			<i>consists of:</i>					
			<i>(1) 1201063</i>					
			<i>(1) 1201050</i>					
			<i>(1) 1201051</i>					
	1201063	-	3/8" X 1-1/2" HEX HEAD BOLT GR5 HDG RACK	M	12	EA	0.64	LB
	1201050	-	3/8" HEX NUT GR. 5 - HDG RACK	M	12	EA	0.24	LB
	1201051	-	3/8" LOCK WASHER GR. 5 - HDG RACK	M	12	EA	0.06	LB
	3.942.0076.002	A	SHIM PLATE	3	EA	6.30	LB	
	5.933.0422.001		SM (12"x24") I/S w/ MD BACKING KITS	2	EA			
	5.933.0421.001	-	SMALL (12"x24") ICE SHIELD KIT	2	EA			
	3.933.0049.001	A	TX-LINE ICE SHIELD	M	2	EA	40.00	LB
	3.963.0507.004	-	PIPE SLEEVE; 1" LONG	M	8	EA	0.80	LB
	1202023	-	1/2" X 2" A325 BOLT ASS'Y - HDG RACK	M	8	EA	1.91	LB
	5.963.0001.210	-	MEDIUM BACKING 'B' ASSEMBLY	4	EA			
	3.963.0209.001	A	MEDIUM BACKING CHANNEL	M	8	EA	22.40	LB
			<i>STAMP PART NUMBER</i>					
	4.963.0019.213	-	1/2" X 13" GALV THREAD ROD ASS'Y	M	8	EA	7.20	LB
	1202021	-	1/2" X 1-1/2" A325 BOLT ASSY-HDG PAILS	M	8	EA	1.70	LB
			<i>800 PER PAIL</i>					
			<i>ASSEMBLY:</i>					
			<i>1 x 1202021</i>					
			<i>1 x 1202211</i>					
			<i>1 x 1202180</i>					
	5.933.0422.002	-	SM (12"x24") I/S w/ LG BACKING KITS	1	EA			
	5.933.0421.001	-	SMALL (12"x24") ICE SHIELD KIT	1	EA			
	3.933.0049.001	A	TX-LINE ICE SHIELD	M	1	EA	20.00	LB
	3.963.0507.004	-	PIPE SLEEVE; 1" LONG	M	4	EA	0.40	LB
	1202023	-	1/2" X 2" A325 BOLT ASS'Y - HDG RACK	M	4	EA	0.96	LB
	5.963.0002.002	-	LARGE BACKING CHANNEL 'B' ASS'Y	2	EA			
	3.963.0183.001	A	LARGE BACKING CHANNEL	M	4	EA	16.80	LB
	4.963.0019.218	-	1/2" X 18" GALV THREAD ROD ASS'Y	M	4	EA	4.80	LB
	1202021	-	1/2" X 1-1/2" A325 BOLT ASSY-HDG PAILS	M	4	EA	0.85	LB
	4.942.0051.001	A	LIGHT FIXTURE MOUNT 'B' KIT	1	EA			
	3.942.0076.001	A	LIGHT FIXTURE MOUNT	1	EA	20.30	LB	
	3.963.0183.001	A	LARGE BACKING CHANNEL	2	EA	8.40	LB	
	4.963.0019.213	-	1/2" X 13" GALV THREAD ROD ASS'Y	4	EA	3.60	LB	
	4.963.0001.206	-	1/2" U-BOLT ASSEMBLY (3-1/2")	2	EA	1.80	LB	
	3.963.0001.028	A	3/4" CONDUIT ALUMINUM SADDLE CLAMP	2	EA	0.10	LB	
	3.963.0001.030	A	1/2" CONDUIT ALUMINUM SADDLE CLAMP	2	EA	0.10	LB	
	4.963.0022.150		3/8" x 1-1/2" GR.5 BOLT ASS'Y	4	EA			
	1201063	-	3/8" X 1-1/2" HEX HEAD BOLT GR5 HDG RACK	M	4	EA	0.21	LB
	1201050	-	3/8" HEX NUT GR. 5 - HDG RACK	M	4	EA	0.08	LB
	1201051	-	3/8" LOCK WASHER GR. 5 - HDG RACK	M	4	EA	0.02	LB

<u>LotID</u>	<u>Part ID</u>	<u>Rev</u>	<u>Description</u>	<u>Ext Qty</u>	<u>UM</u>	<u>Ext Weight</u>	<u>UM</u>
	3.942.0076.002	A	SHIM PLATE	1	EA	2.10	LB
				Page Sub Total Weight (not 5.)		174.25	
				Page Sub Total Weight (5.)		117.81	
				Page Sub Total Weight		292.06	

<u>LotID</u>	<u>Part ID</u>	<u>Rev</u>	<u>Description</u>	<u>Ext Qty</u>	<u>UM</u>	<u>Ext Weight</u>	<u>UM</u>
<b>3</b>	<b>9.963.3</b>		<b>MISC. MATERIALS - ABOVE GRADE</b>				
	9.963.4		INSTALLATION DRAWINGS	1	EA		
	4.963.0025.001		BASE WARNING SIGN KIT	0	EA		
	1201032	-	5/16" X 1" HEX HEAD BOLT GR 5 HDG KANBAN	0	EA	0.00	LB
	1201020	-	5/16" HEX NUT GR. 5 - HDG KANBAN	0	EA	0.00	LB
	1201021	-	5/16" LOCK WASHER GR. 5 - HDG KANBAN	0	EA	0.00	LB
	3.963.0725.001	A	WARNING SIGN TAB	0	EA	0.00	LB
	1202021		1/2" X 1-1/2" A325 BOLT ASSY-HDG PAILS	0	EA	0.00	LB
			800 PER PAIL				
			ASSEMBLY:				
			1 x 1202021				
			1 x 1202211				
			1 x 1202180				
	3.963.0001.047	A	7/8" ALUMINUM BAR CLAMP	0	EA	0.00	LB
	3.963.0505.002	A	BASE WARNING SIGN	0	EA	0.00	LB
			NOTE:				
			1) BACKGROUND OF SIGN TO BE WHITE				
			2) WARNING LETTERING TO BE RED				
			3) UNDERLINE & ALL OTHER TEXT TO BE BLACK				
	3.963.0505.102	A	BASE WARNING SIGN - FRENCH	0	EA	0.00	LB
			NOTE:				
			1) BACKGROUND OF SIGN TO BE WHITE				
			2) WARNING LETTERING TO BE RED				
			3) UNDERLINE & ALL OTHER TEXT TO BE BLACK				
	4.963.0031.001		NAME PLATE KIT	1	EA		
	1209069		#6 X 3/8" U DRIVE SCREW STN.STL	4	EA		
	2208001	A	NAME PLATE	1	EA	0.02	LB
			3.00 X 3.00 ALUMINUM .025				
			BLACK INK, ONE SIDE				

JOB NO:159737  
 HEIGHT:218.5 ft  
 TYPE:KDSS  
 STANDARD: TIA-222-H  
 WIND: 160 mph  
 ICE: 0 in  
 INSTALLED: 2020

Page Sub Total Weight (not 5.) 0.02  
 Page Sub Total Weight (5.) 0.00  
 Page Sub Total Weight 0.02

<u>LotID</u>	<u>Part ID</u>	<u>Rev</u>	<u>Description</u>	<u>Ext Qty</u>	<u>UM</u>	<u>Ext Weight</u>	<u>UM</u>
<b>4</b>	<b>9.957.1</b>		<b>SAFETY MATERIAL</b>				
	4.99.0415.000	-	250' 3/8" COUGAR CABLE KIT (W/SLIDER)	1	EA		
	1705148	-	250 FT 3/8" SAFETY CABLE ASS'Y C/W 3/8" THIMBLE & COMP. SLEEVE ONE END	1	EA	60.75	LB
	9.963.4	-	INSTALLATION DRAWINGS CABLE KIT BOOKLET	1	EA		
	4.99.0203.000	-	STANDARD MOUNTING KIT	1	EA		
	1705050	-	1/2" BOLT TYPE ANCH SHACK HDG W/LOC PIN	1	EA	0.73	LB
	1601092		3/8" H THIMBLE - HDG CROSBY	1	EA	0.22	LB
	1705020	-	3/8" U-BOLT" CLIP - HDG - OTHER	3	EA	1.32	LB
	1705040	-	1/2" X 12" J/J TURNBUCKLE - HDG OTHER	1	EA	2.31	LB
	2.85.0007.001	A	TENSION SPRING MATERIAL TO BE 302 S.S. MANUFACTURED SPRING TO BE RATED AT 130 LBS/IN	1	EA		
	3.957.0071.001	A	SAFETY CABLE SUPPORT	2	EA	14.60	LB
	3.85.0026.003	-	BACK PLATE FOR CABLE SUPPORT-HDG	4	EA	2.00	LB
	1201136	-	1/2 X 2-1/2 HEX HEAD BOLT GR. 5 HDG RACK	6	EA	1.07	LB
	1201120	-	1/2" HEX NUT GR. 5 - HDG RACK	8	EA	0.29	LB
	1201121	-	1/2" LOCK WASHER GR. 5 - HDG RACK	8	EA	0.08	LB
	3.957.0060.001	B	TOP BRACKET PLATE	1	EA	1.20	LB
	1201350		1/2"X3"HX HD BOLT GR5FULL THRD HDG RACK	2	EA	0.41	LB
	4.99.0204.000	-	STAND-OFF BRACKET ASSEMBLY	9	EA		
	3.85.0034.001	-	STAND-OFF BRACKET	9	EA	4.50	LB
	3.85.0012.001	-	RAIL CLAMPING BAR	9	EA	2.25	LB
	1201300	-	3/8"X2"HX HD BLT GR5 FULL THRD HDG RACK	18	EA	1.26	LB
	1201050	-	3/8" HEX NUT GR. 5 - HDG RACK	18	EA	0.36	LB
	1201051	-	3/8" LOCK WASHER GR. 5 - HDG RACK	18	EA	0.09	LB
	4.99.0101.001	-	COUGAR CABLE SLIDER; C/W KARABINER	0	EA		
	3.957.0047.001	A	COUGAR CABLE SLIDER	0	EA	0.00	LB
	1706001	-	STEEL KWIK-LOCK KARABINER	0	EA	0.00	LB
	9.963.4	-	INSTALLATION DRAWINGS SLIDER BOOKLET	0	EA		
	1702023		SAFETY CABLE METAL LABEL COUGAR REVISED SIZE: Quote #: S15-3015 2.5 X 5. (REVISED 1702023 PLATE) 2 SIDES .025 NATURAL ALUMINUM.  OLD SPEC. 2.69 X 10.19 ALUMINUM .025 Die Cutting Quote #: S13-1599	1	EA		
	1404009		TY-RAP; 1/4" x 8" LG BLACK UV STD PACKAGES OF 100	2	EA	0.04	LB
	1706022		Tuf-Tug TTWG-500 wire grabs	1	EA	2.10	LB
			Page Sub Total Weight (not 5.)			95.58	
			Page Sub Total Weight (5.)			0.00	
			Page Sub Total Weight			95.58	



<u>LotID</u>	<u>Part ID</u>	<u>Rev</u>	<u>Description</u>	<u>Ext Qty</u>	<u>UM</u>	<u>Ext Weight</u>	<u>UM</u>
<b>7</b>	<b>9.927.1</b>		<b>ANTENNA MOUNT MATERIAL</b>				
			<i>OWNER ECL- ANT.No 1, EL. 40', Az. 0, 1' SQUARE PANEL</i>				
	5.960.0010.226	-	EXTRA LARGE 26" ADJ. PARALLEL CLAMP ASSY	4	EA		
	3.963.0183.001	A	LARGE BACKING CHANNEL	8	EA	33.60	LB
	3.963.0209.001	A	MEDIUM BACKING CHANNEL	8	EA	22.40	LB
	4.963.0019.208	-	1/2" X 8" GALV THREAD ROD ASS'Y	8	EA	5.60	LB
	4.963.0019.218	-	1/2" X 18" GALV THREAD ROD ASS'Y	8	EA	9.60	LB
	1201120	-	1/2" HEX NUT GR. 5 - HDG RACK	16	EA	0.57	LB
	1201121	-	1/2" LOCK WASHER GR. 5 - HDG RACK	16	EA	0.16	LB
	1201122	-	1/2" FLAT WASHER GR. 5 - HDG RACK	16	EA	0.32	LB
	3.960.0067.008	A	2.875" OD x 0.203" WALL x 8' PIPE	1	EA	48.64	LB
			Page Sub Total Weight (not 5.)			48.64	
			Page Sub Total Weight (5.)			72.25	
			Page Sub Total Weight			120.89	

<u>LotID</u>	<u>Part ID</u>	<u>Rev</u>	<u>Description</u>	<u>Ext Qty</u>	<u>UM</u>	<u>Ext Weight</u>	<u>UM</u>
<b>7</b>	<b>9.927.2</b>		<b>ANTENNA MOUNT MATERIAL</b>				
			<i>OWNER BMOC:</i>				
			<i>ANT.No 2, EL. 46', Az. 235, 3' DISH</i>				
			<i>ANT. No 3, EL. 48.5', Az. 50, 3' DISH</i>				
3.930.1012.001		A	CUSTOM STANDOFF	2	EA	170.66	LB
5.963.0002.002		-	LARGE BACKING CHANNEL 'B' ASS'Y	8	EA		
3.963.0183.001		A	LARGE BACKING CHANNEL	16	EA	67.20	LB
4.963.0019.218		-	1/2" X 18" GALV THREAD ROD ASS'Y	16	EA	19.20	LB
1202021		-	1/2" X 1-1/2" A325 BOLT ASSY-HDG PAILS	16	EA	3.39	LB
			Page Sub Total Weight (not 5.)			170.66	
			Page Sub Total Weight (5.)			89.79	
			Page Sub Total Weight			260.45	

<u>LotID</u>	<u>Part ID</u>	<u>Rev</u>	<u>Description</u>	<u>Ext Qty</u>	<u>UM</u>	<u>Ext Weight</u>	<u>UM</u>
<b>7</b>	<b>9.927.3</b>		<b>ANTENNA MOUNT MATERIAL</b>				
			<i>OWNER CCS/BPS:</i>				
			<i>ANT.No 4, EL. 58', Az. 235, 4' DISH</i>				
			<i>ANT.No 5, EL. 57', Az. 50, 4' DISH</i>				
	3.930.1012.001	A	CUSTOM STANDOFF	2	EA	170.66	LB
	5.963.0002.002	-	LARGE BACKING CHANNEL 'B' ASS'Y	8	EA		
	3.963.0183.001	A	LARGE BACKING CHANNEL	16	EA	67.20	LB
	4.963.0019.218	-	1/2" X 18" GALV THREAD ROD ASS'Y	16	EA	19.20	LB
	1202021	-	1/2" X 1-1/2" A325 BOLT ASSY-HDG PAILS	16	EA	3.39	LB
	3.146812.9000.001	A	SUPPORT ANGLE	4	EA	92.40	LB
	3.146812.9001.001	b	BACKING CHANNEL	16	EA	179.20	LB
	4.963.0001.012	-	5/8" U-BOLT ASS'Y (4-1/2"S.R.)	8	EA		
	3.960.0070.022	F	4.500" OD x 0.237" WALL x 22' PIPE	2	EA	498.50	LB
	4.963.0019.218	-	1/2" X 18" GALV THREAD ROD ASS'Y	16	EA		
	3.963.0202.001	A	ANGLE INSERT	8	EA	8.80	LB
	3.960.0068.012	A	3.500" OD x 0.216" WALL x 12' PIPE	2	EA	191.02	LB
	5.960.0004.002	-	FIXED CROSSOVER ASSEMBLY (3-1/2"-4-1/2")	4	EA		
	3.930.0338.001	A	LARGE PIPE-PIPE CONN PLATE	4	EA	32.40	LB
	4.963.0001.206	-	1/2" U-BOLT ASSEMBLY (3-1/2")	8	EA	7.20	LB
	4.963.0001.207	-	1/2" U-BOLT ASSEMBLY (4-1/2")	8	EA	8.80	LB
	5.927.0100.003	-	STABILIZER CLIP KIT (FITS 3-1/2" PIPES)	2	EA		
	3.927.0428.001	A	STABILIZER CLIP	2	EA	10.60	LB
	4.963.0001.206	-	1/2" U-BOLT ASSEMBLY (3-1/2")	4	EA	3.60	LB
			Page Sub Total Weight (not 5.)			1,178.18	
			Page Sub Total Weight (5.)			152.39	
			Page Sub Total Weight			1,330.57	

<u>LotID</u>	<u>Part ID</u>	<u>Rev</u>	<u>Description</u>	<u>Ext Qty</u>	<u>UM</u>	<u>Ext Weight</u>	<u>UM</u>
7	9.927.4		<b>ANTENNA MOUNT MATERIAL</b>				
			OWNER GOV:				
			ANT.No 6, EL. 63', Az. 270, 2' DISH				
			ANT.No 7, EL. 63', Az. 90, 4' DISH				
			OWNER CCS/BPS:				
			ANT.No 8, EL. 63', Az. 315, 3' DISH				
			ANT.No 9, EL. 63', Az. 50, 4' DISH				
3.930.1012.001		A	CUSTOM STANDOFF	2	EA	170.66	LB
5.927.0100.003		-	STABILIZER CLIP KIT (FITS 3-1/2" PIPES)	1	EA		
3.927.0428.001		A	STABILIZER CLIP	1	EA	5.30	LB
4.963.0001.206		-	1/2" U-BOLT ASSEMBLY (3-1/2")	2	EA	1.80	LB
3.930.1013.001		A	CUSTOM STANDOFF (8' PIPE)	1	EA	108.01	LB
5.963.0002.002		-	LARGE BACKING CHANNEL 'B' ASS'Y	12	EA		
3.963.0183.001		A	LARGE BACKING CHANNEL	24	EA	100.80	LB
4.963.0019.218		-	1/2" X 18" GALV THREAD ROD ASS'Y	24	EA	28.80	LB
1202021		-	1/2" X 1-1/2" A325 BOLT ASSY-HDG PAILS	24	EA	5.09	LB
			Page Sub Total Weight (not 5.)			278.67	
			Page Sub Total Weight (5.)			141.79	
			Page Sub Total Weight			420.46	

<u>LotID</u>	<u>Part ID</u>	<u>Rev</u>	<u>Description</u>	<u>Ext Qty</u>	<u>UM</u>	<u>Ext Weight</u>	<u>UM</u>
<b>7</b>	<b>9.927.5</b>		<b>ANTENNA MOUNT MATERIAL</b>				
			<i>OWNER CCS/BPS:</i>				
			<i>ANT.No 11, EL. 71', Az. 235, 1' DISH</i>				
			<i>ANT.No 13, EL. 75.5', Az. 195, 2' DISH</i>				
3.930.1013.001		A	CUSTOM STANDOFF (8' PIPE)	1	EA	108.01	LB
5.963.0002.002		-	LARGE BACKING CHANNEL 'B' ASS'Y	4	EA		
3.963.0183.001		A	LARGE BACKING CHANNEL	8	EA	33.60	LB
4.963.0019.218		-	1/2" X 18" GALV THREAD ROD ASS'Y	8	EA	9.60	LB
1202021		-	1/2" X 1-1/2" A325 BOLT ASSY-HDG PAILS	8	EA	1.70	LB
			Page Sub Total Weight (not 5.)			108.01	
			Page Sub Total Weight (5.)			44.90	
			Page Sub Total Weight			152.91	

<u>LotID</u>	<u>Part ID</u>	<u>Rev</u>	<u>Description</u>	<u>Ext Qty</u>	<u>UM</u>	<u>Ext Weight</u>	<u>UM</u>
<b>7</b>	<b>9.927.6</b>		<b>ANTENNA MOUNT MATERIAL</b>				
			<i>OWNER CCS/BPS:</i>				
			<i>ANT.No 12, EL. 73', Az. 50, 2' PANEL</i>				
			<i>ANT.No 14, EL. 76', Az. 315, 2' PANEL</i>				
5.960.0010.226		-	EXTRA LARGE 26" ADJ. PARALLEL CLAMP ASSY	4	EA		
3.963.0183.001		A	LARGE BACKING CHANNEL	8	EA	33.60	LB
3.963.0209.001		A	MEDIUM BACKING CHANNEL	8	EA	22.40	LB
4.963.0019.208		-	1/2" X 8" GALV THREAD ROD ASS'Y	8	EA	5.60	LB
4.963.0019.218		-	1/2" X 18" GALV THREAD ROD ASS'Y	8	EA	9.60	LB
1201120		-	1/2" HEX NUT GR. 5 - HDG RACK	16	EA	0.57	LB
1201121		-	1/2" LOCK WASHER GR. 5 - HDG RACK	16	EA	0.16	LB
1201122		-	1/2" FLAT WASHER GR. 5 - HDG RACK	16	EA	0.32	LB
3.960.0067.008		A	2.875" OD x 0.203" WALL x 8' PIPE	1	EA	48.64	LB
			Page Sub Total Weight (not 5.)			48.64	
			Page Sub Total Weight (5.)			72.25	
			Page Sub Total Weight			120.89	

<u>LotID</u>	<u>Part ID</u>	<u>Rev</u>	<u>Description</u>	<u>Ext Qty</u>	<u>UM</u>	<u>Ext Weight</u>	<u>UM</u>
<b>7</b>	<b>9.927.7</b>		<b>ANTENNA MOUNT MATERIAL</b>				
			<i>OWNER CCS/BPS:</i>				
			<i>ANT.No 15, EL. 80', Az. 300, 2' DISH</i>				
			<i>ANT.No 16, EL. 83', Az. 300, 2' DISH</i>				
			<i>ANT.No 17, EL. 83', Az. 15, 1' DISH</i>				
5.963.0002.002		-	LARGE BACKING CHANNEL 'B' ASS'Y	8	EA		
3.963.0183.001		A	LARGE BACKING CHANNEL	16	EA	67.20	LB
4.963.0019.218		-	1/2" X 18" GALV THREAD ROD ASS'Y	16	EA	19.20	LB
1202021		-	1/2" X 1-1/2" A325 BOLT ASSY-HDG PAILS	16	EA	3.39	LB
3.930.1012.001		A	CUSTOM STANDOFF	1	EA	85.33	LB
3.930.1013.001		A	CUSTOM STANDOFF (8' PIPE)	1	EA	108.01	LB
			Page Sub Total Weight (not 5.)			193.34	
			Page Sub Total Weight (5.)			89.79	
			Page Sub Total Weight			283.13	

<u>LotID</u>	<u>Part ID</u>	<u>Rev</u>	<u>Description</u>	<u>Ext Qty</u>	<u>UM</u>	<u>Ext Weight</u>	<u>UM</u>
<b>7</b>	<b>9.927.8</b>		<b>ANTENNA MOUNT MATERIAL</b>				
			<i>OWNER CCS/BPS:</i>				
			<i>ANT.No 18, EL. 103', Az. 195, 1' DISH</i>				
	5.963.0002.002	-	LARGE BACKING CHANNEL 'B' ASSY	4	EA		
	3.963.0183.001	A	LARGE BACKING CHANNEL	8	EA	33.60	LB
	4.963.0019.218	-	1/2" X 18" GALV THREAD ROD ASS'Y	8	EA	9.60	LB
	1202021	-	1/2" X 1-1/2" A325 BOLT ASSY-HDG PAILS	8	EA	1.70	LB
	3.930.1012.001	A	CUSTOM STANDOFF	1	EA	85.33	LB

Page Sub Total Weight (not 5.) 85.33

Page Sub Total Weight (5.) 44.90

Page Sub Total Weight 130.23



<u>LotID</u>	<u>Part ID</u>	<u>Rev</u>	<u>Description</u>	<u>Ext Qty</u>	<u>UM</u>	<u>Ext Weight</u>	<u>UM</u>
<b>7</b>	<b>9.927.9</b>		<b>ANTENNA MOUNT MATERIAL</b>				
			<i>OWNER GOV:</i>				
			<i>ANT.No 23, EL. 152', AZ. 0,90,2700 3 LTE PANELS</i>				
	5.930.0107.012		- HD (4-1/2x72) 1' T-S/O; 4LBA	3	EA		
	3.930.0346.001	B	1' TAPERED S/O (4-1/2" X 72")	3	EA	289.20	LB
	5.963.0002.002		- LARGE BACKING CHANNEL 'B' ASS'Y	12	EA		
	3.963.0183.001	A	LARGE BACKING CHANNEL	M	EA	100.80	LB
	4.963.0019.218		- 1/2" X 18" GALV THREAD ROD ASS'Y	M	EA	28.80	LB
	1202021		- 1/2" X 1-1/2" A325 BOLT ASSY-HDG PAILS	M	EA	5.09	LB
	5.960.0010.018		- MEDIUM 18" ADJ. PARALLEL CLAMP ASS'Y	12	EA		
	3.963.0209.001	A	MEDIUM BACKING CHANNEL	48	EA	134.40	LB
	4.963.0019.218		- 1/2" X 18" GALV THREAD ROD ASS'Y	24	EA	28.80	LB
	1201120		- 1/2" HEX NUT GR. 5 - HDG RACK	48	EA	1.72	LB
	1201121		- 1/2" LOCK WASHER GR. 5 - HDG RACK	48	EA	0.48	LB
	1201122		- 1/2" FLAT WASHER GR. 5 - HDG RACK	48	EA	0.96	LB
	3.960.0067.008	A	2.875" OD x 0.203" WALL x 8' PIPE	3	EA	145.92	LB
			Page Sub Total Weight (not 5.)			145.92	
			Page Sub Total Weight (5.)			590.25	
			Page Sub Total Weight			736.17	

<u>LotID</u>	<u>Part ID</u>	<u>Rev</u>	<u>Description</u>	<u>Ext Qty</u>	<u>UM</u>	<u>Ext Weight</u>	<u>UM</u>
<b>7</b>	<b>9.927.10</b>		<b>ANTENNA MOUNT MATERIAL</b>				
			<i>OWNER EMO:</i>				
			<i>ANT NO. 10</i>				
			<i>ANT NO. 25</i>				
	5.960.0010.226	-	EXTRA LARGE 26" ADJ. PARALLEL CLAMP ASSY	8	EA		
	3.963.0183.001	A	LARGE BACKING CHANNEL	16	EA	67.20	LB
	3.963.0209.001	A	MEDIUM BACKING CHANNEL	16	EA	44.80	LB
	4.963.0019.208	-	1/2" X 8" GALV THREAD ROD ASS'Y	16	EA	11.20	LB
	4.963.0019.218	-	1/2" X 18" GALV THREAD ROD ASS'Y	16	EA	19.20	LB
	1201120	-	1/2" HEX NUT GR. 5 - HDG RACK	32	EA	1.15	LB
	1201121	-	1/2" LOCK WASHER GR. 5 - HDG RACK	32	EA	0.32	LB
	1201122	-	1/2" FLAT WASHER GR. 5 - HDG RACK	32	EA	0.64	LB
	3.960.0067.008	A	2.875" OD x 0.203" WALL x 8' PIPE	2	EA	97.28	LB
			Page Sub Total Weight (not 5.)			97.28	
			Page Sub Total Weight (5.)			144.51	
			Page Sub Total Weight			241.79	

<u>LotID</u>	<u>Part ID</u>	<u>Rev</u>	<u>Description</u>	<u>Ext Qty</u>	<u>UM</u>	<u>Ext Weight</u>	<u>UM</u>
<b>8</b>	<b>9.906.2</b>		<b>ABOVE GRADE FOUNDATION MATERIAL</b>				
	5.939.0182.004	-	(4) 1/2" X 18" WGB POST ANCHOR RODS	8	EA		
			<i>PRE-SHIPED FOUNDATION ANCHORS FOR WGB BASE SHOE POSTS (1 KIT PER POST)</i>				
	4.963.0019.218	-	1/2" X 18" GALV THREAD ROD ASS'Y	32	EA	38.40	LB
	1201120	-	1/2" HEX NUT GR. 5 - HDG RACK	64	EA	2.30	LB
	1201122	-	1/2" FLAT WASHER GR. 5 - HDG RACK	32	EA	0.64	LB
			Page Sub Total Weight (not 5.)			0.00	
			Page Sub Total Weight (5.)			41.34	
			Page Sub Total Weight			41.34	

<u>LotID</u>	<u>Part ID</u>	<u>Rev</u>	<u>Description</u>	<u>Ext Qty</u>	<u>UM</u>	<u>Ext Weight</u>	<u>UM</u>
<b>8</b>	<b>9.939.1</b>		<b>W/G MATERIAL</b>				
	5.939.0715.101	-	12" X 30' DWGB (WITH 4-1/2" POSTS) 12" X 30' DWGB C/W:	1	EA		
			(6) 12" X 10' SOLID COVER (4) UNIVERSAL SPLICE (4) 4-1/2"x12' BASE SHOE POST (4) KNEE BRACE 3 (4-1/2") (18) 2 RUNG 12" TRAPEZE B				
	3.939.0172.003	D	11-3/4" X 10' SOLID W/G COVER	6	EA	493.80	LB
	5.939.0189.001	-	UNIVERSAL W/G SPLICE ASSEMBLY	4	EA		
	3.939.0171.401	C	UNIVERSAL SPLICE	8	EA	43.20	LB
	1202021	-	1/2" X 1-1/2" A325 BOLT ASSY-HDG PAILS	32	EA	6.78	LB
	5.939.0181.013	-	4-1/2"OD x 12'-0" BASE SHOE POST & CAP	4	EA		
	3.939.0170.007	C	1POST F (4-1/2"OD X 12' BASE SHOE)	4	EA	552.40	LB
	2201902	-	POST CAP (FITS 4-1/2" OD PIPE)	4	EA	6.00	LB
	5.939.0185.212	-	12" DWGB BRACE (4-1/2") KIT	4	EA		
	3.939.0179.004	-	12" DWGB BRACE	4	EA	58.92	LB
	4.963.0001.207	-	1/2" U-BOLT ASSEMBLY (4-1/2")	8	EA	8.80	LB
	4.963.0001.087	-	1/2" X 5" J-BOLT ASSEMBLY (R=5/8")	16	EA	9.60	LB
	5.939.0187.012	-	12" W/G TRAPEZE B (ANGLE) ASSEMBLY	18	EA		
	3.939.0171.303	D	12" TRAPEZE B	36	EA	79.20	LB
	3.939.0171.304	B	TRAPEZE ANGLE	36	EA	126.00	LB
	1202021	-	1/2" X 1-1/2" A325 BOLT ASSY-HDG PAILS	36	EA	7.63	LB
	1201062	-	3/8" X 1-1/4" HEX HEAD BOLT GR5 HDG RACK	72	EA	3.46	LB
	1201050	-	3/8" HEX NUT GR. 5 - HDG RACK	72	EA	1.44	LB
	1201053	-	3/8" FLAT WASHER GR. 5 - HDG RACK	72	EA	0.72	LB
	1201051	-	3/8" LOCK WASHER GR. 5 - HDG RACK	72	EA	0.36	LB
	5.939.0716.101	-	12" X 35' DWGB (WITH 4-1/2" POSTS) 12" X 35' DWGB C/W:	1	EA		
			(6) 12" X 10' SOLID COVER (2) 12" X 5' SOLID COVER (6) UNIVERSAL SPLICE (4) 4-1/2"x10-1/2' BASE SHOE POST (4) KNEE BRACE 3 (4-1/2") (22) 2 RUNG 12" TRAPEZE B				
	3.939.0172.003	D	11-3/4" X 10' SOLID W/G COVER	6	EA	493.80	LB
	3.939.0172.212	A	11-3/4" X 5' SOLID W/G COVER	2	EA	82.40	LB
	5.939.0189.001	-	UNIVERSAL W/G SPLICE ASSEMBLY	6	EA		
	3.939.0171.401	C	UNIVERSAL SPLICE	12	EA	64.80	LB
	1202021	-	1/2" X 1-1/2" A325 BOLT ASSY-HDG PAILS	48	EA	10.18	LB
	5.939.0181.013	-	4-1/2"OD x 12'-0" BASE SHOE POST & CAP	4	EA		
	3.939.0170.007	C	1POST F (4-1/2"OD X 12' BASE SHOE)	4	EA	552.40	LB
	2201902	-	POST CAP (FITS 4-1/2" OD PIPE)	4	EA	6.00	LB
	5.939.0185.040	-	KNEE BRACE 3 (4-1/2" POST) ASSEMBLY	4	EA		
	3.939.0171.003	D	2' CARPORT BRACE	4	EA	91.20	LB
	4.963.0001.207	-	1/2" U-BOLT ASSEMBLY (4-1/2")	8	EA	8.80	LB
	4.963.0001.087	-	1/2" X 5" J-BOLT ASSEMBLY (R=5/8")	16	EA	9.60	LB
	5.939.0187.012	-	12" W/G TRAPEZE B (ANGLE) ASSEMBLY	22	EA		
	3.939.0171.303	D	12" TRAPEZE B	44	EA	96.80	LB
	3.939.0171.304	B	TRAPEZE ANGLE	44	EA	154.00	LB
	1202021	-	1/2" X 1-1/2" A325 BOLT ASSY-HDG PAILS	44	EA	9.33	LB
	1201062	-	3/8" X 1-1/4" HEX HEAD BOLT GR5 HDG RACK	88	EA	4.22	LB
	1201050	-	3/8" HEX NUT GR. 5 - HDG RACK	88	EA	1.76	LB
	1201053	-	3/8" FLAT WASHER GR. 5 - HDG RACK	88	EA	0.88	LB

<u>LotID</u>	<u>Part ID</u>	<u>Rev</u>	<u>Description</u>	<u>Ext Qty</u>	<u>UM</u>	<u>Ext Weight</u>	<u>UM</u>	
	1201051	-	3/8" LOCK WASHER GR. 5 - HDG RACK	M	88	EA	0.44	LB
5.939.0192.045		-	45° W/G SPLICE ASSEMBLY		1	EA		
3.939.0172.005		A	45° ADJUSTABLE W/G SPLICE PLATE		1	EA	26.30	LB
	1201062	-	3/8" X 1-1/4" HEX HEAD BOLT GR5 HDG RACK		4	EA	0.19	LB
	1201050	-	3/8" HEX NUT GR. 5 - HDG RACK		4	EA	0.08	LB
	1201051	-	3/8" LOCK WASHER GR. 5 - HDG RACK		4	EA	0.02	LB
	1201053	-	3/8" FLAT WASHER GR. 5 - HDG RACK		8	EA	0.08	LB
	1201122	-	1/2" FLAT WASHER GR. 5 - HDG RACK		4	EA	0.08	LB
5.939.0190.060		-	60" W/G SHIELD ASSEMBLY		2	EA		
3.939.0172.004		B	60" W/G SHIELD		2	EA	101.20	LB
4.963.0001.087		-	1/2" X 5" J-BOLT ASSEMBLY (R=5/8")		4	EA	2.40	LB
						Page Sub Total Weight (not 5.)	0.00	
						Page Sub Total Weight (5.)	3,115.27	
						Page Sub Total Weight	3,115.27	

<u>LotID</u>	<u>Part ID</u>	<u>Rev</u>	<u>Description</u>	<u>Ext Qty</u>	<u>UM</u>	<u>Ext Weight</u>	<u>UM</u>
<b>9</b>	<b>9.927.1</b>		<b>ANTENNA MOUNT MATERIAL</b>				
			<i>OWNER BMOC:</i>				
			<i>ANT.No 19, EL. 111', 20' 4" OMNI</i>				
			<i>FIELD CUT AND FIELD DRILL KNEE BRACE, TO</i>				
			<i>SUIT LENGHT</i>				
5.930.0323.007		-	2' SINGLE ARM S/O (3-1/2") c/w (1) MBA	4	EA		
3.930.0398.004		B	3-1/2" x 2' STANDOFF ARM D	4	EA	78.40	LB
5.963.0001.210		-	MEDIUM BACKING 'B' ASSEMBLY	8	EA		
3.963.0209.001		A	MEDIUM BACKING CHANNEL	16	EA	44.80	LB
4.963.0019.213		-	1/2" X 13" GALV THREAD ROD ASS'Y	16	EA	14.40	LB
1202021		-	1/2" X 1-1/2" A325 BOLT ASSY-HDG PAILS	16	EA	3.39	LB
5.960.0003.001		-	FIXED CROSSOVER ASSEMBLY (3-1/2"-3-1/2")	4	EA		
3.930.0338.002		A	MEDIUM PIPE-PIPE CONN PLATE	4	EA	24.00	LB
4.963.0001.206		-	1/2" U-BOLT ASSEMBLY (3-1/2")	16	EA	14.40	LB
5.960.0003.002		-	FIXED CROSSOVER ASSEMBLY (2-7/8"-3-1/2")	2	EA		
3.930.0338.002		A	MEDIUM PIPE-PIPE CONN PLATE	2	EA	12.00	LB
4.963.0001.208		-	1/2" U-BOLT ASSEMBLY (3") KANBAN	4	EA	3.60	LB
4.963.0001.206		-	1/2" U-BOLT ASSEMBLY (3-1/2")	4	EA	3.60	LB
5.927.0100.003		-	STABILIZER CLIP KIT (FITS 3-1/2" PIPES)	2	EA		
3.927.0428.001		A	STABILIZER CLIP	2	EA	10.60	LB
4.963.0001.206		-	1/2" U-BOLT ASSEMBLY (3-1/2")	4	EA	3.60	LB
3.930.1008.002		A	KNEE BRACE	1	EA	25.20	LB
3.960.0067.008		A	2.875" OD x 0.203" WALL x 8' PIPE	1	EA	48.64	LB
3.963.0202.001		A	ANGLE INSERT	4	EA	4.40	LB
3.960.0068.021		A	3.500" OD x 0.216" WALL x 21' PIPE	2	EA	334.28	LB
1202041			5/8" X 1-1/2" A325 BOLT ASS'Y - HDG	3	EA	1.11	LB
			Page Sub Total Weight (not 5.)			413.63	
			Page Sub Total Weight (5.)			212.79	
			Page Sub Total Weight			626.42	

<u>LotID</u>	<u>Part ID</u>	<u>Rev</u>	<u>Description</u>	<u>Ext Qty</u>	<u>UM</u>	<u>Ext Weight</u>	<u>UM</u>
<b>9</b>	<b>9.927.2</b>		<b>ANTENNA MOUNT MATERIAL</b>				
			OWNER BMOG: ANT.No 22, EL. 143', 20' 4" OMNI FIELD CUT AND FIELD DRILL KNEE BRACE, TO SUIT LENGHT (V 6" x 6" x 1/2" LEG)				
	5.930.0323.007	-	2' SINGLE ARM S/O (3-1/2") c/w (1) MBA	4	EA		
	3.930.0398.004	B	3-1/2" x 2' STANDOFF ARM D	4	EA	78.40	LB
	5.963.0001.210	-	MEDIUM BACKING 'B' ASSEMBLY	8	EA		
	3.963.0209.001	A	MEDIUM BACKING CHANNEL	M	16 EA	44.80	LB
	4.963.0019.213	-	1/2" X 13" GALV THREAD ROD ASS'Y	M	16 EA	14.40	LB
	1202021	-	1/2" X 1-1/2" A325 BOLT ASSY-HDG PAILS	M	16 EA	3.39	LB
	5.960.0003.001	-	FIXED CROSSOVER ASSEMBLY (3-1/2"-3-1/2")	4	EA		
	3.930.0338.002	A	MEDIUM PIPE-PIPE CONN PLATE	4	EA	24.00	LB
	4.963.0001.206	-	1/2" U-BOLT ASSEMBLY (3-1/2")	16	EA	14.40	LB
	5.960.0003.002	-	FIXED CROSSOVER ASSEMBLY (2-7/8"-3-1/2")	2	EA		
	3.930.0338.002	A	MEDIUM PIPE-PIPE CONN PLATE	2	EA	12.00	LB
	4.963.0001.208	-	1/2" U-BOLT ASSEMBLY (3") KANBAN	4	EA	3.60	LB
	4.963.0001.206	-	1/2" U-BOLT ASSEMBLY (3-1/2")	4	EA	3.60	LB
	5.927.0100.003	-	STABILIZER CLIP KIT (FITS 3-1/2" PIPES)	2	EA		
	3.927.0428.001	A	STABILIZER CLIP	2	EA	10.60	LB
	4.963.0001.206	-	1/2" U-BOLT ASSEMBLY (3-1/2")	4	EA	3.60	LB
	3.930.1008.002	A	KNEE BRACE	1	EA	25.20	LB
	3.960.0067.008	A	2.875" OD x 0.203" WALL x 8' PIPE	1	EA	48.64	LB
	3.963.0202.001	A	ANGLE INSERT	4	EA	4.40	LB
	3.960.0068.017	A	3.500" OD x 0.216" WALL x 17' PIPE	2	EA	270.60	LB
	1202041		5/8" X 1-1/2" A325 BOLT ASS'Y - HDG	3	EA	1.11	LB
			Page Sub Total Weight (not 5.)			349.95	
			Page Sub Total Weight (5.)			212.79	
			Page Sub Total Weight			562.74	

<u>LotID</u>	<u>Part ID</u>	<u>Rev</u>	<u>Description</u>	<u>Ext Qty</u>	<u>UM</u>	<u>Ext Weight</u>	<u>UM</u>
<b>9</b>	<b>9.927.3</b>		<b>ANTENNA MOUNT MATERIAL</b>				
			OWNER GOV: ANT.No 26, EL. 190', TETRA AE3, AZ. 270 FIELD CUT AND FIELD DRILL KNEE BRACE, TO SUIT LENGHT				
	5.930.0323.007	-	2' SINGLE ARM S/O (3-1/2") c/w (1) MBA	4	EA		
	3.930.0398.004	B	3-1/2" x 2' STANDOFF ARM D	4	EA	78.40	LB
	5.963.0001.210	-	MEDIUM BACKING 'B' ASSEMBLY	8	EA		
	3.963.0209.001	A	MEDIUM BACKING CHANNEL	16	EA	44.80	LB
	4.963.0019.213	-	1/2" X 13" GALV THREAD ROD ASS'Y	16	EA	14.40	LB
	1202021	-	1/2" X 1-1/2" A325 BOLT ASSY-HDG PAILS	16	EA	3.39	LB
	5.960.0003.001	-	FIXED CROSSOVER ASSEMBLY (3-1/2"-3-1/2")	4	EA		
	3.930.0338.002	A	MEDIUM PIPE-PIPE CONN PLATE	4	EA	24.00	LB
	4.963.0001.206	-	1/2" U-BOLT ASSEMBLY (3-1/2")	16	EA	14.40	LB
	5.960.0003.002	-	FIXED CROSSOVER ASSEMBLY (2-7/8"-3-1/2")	2	EA		
	3.930.0338.002	A	MEDIUM PIPE-PIPE CONN PLATE	2	EA	12.00	LB
	4.963.0001.208	-	1/2" U-BOLT ASSEMBLY (3") KANBAN	4	EA	3.60	LB
	4.963.0001.206	-	1/2" U-BOLT ASSEMBLY (3-1/2")	4	EA	3.60	LB
	5.927.0100.003	-	STABILIZER CLIP KIT (FITS 3-1/2" PIPES)	2	EA		
	3.927.0428.001	A	STABILIZER CLIP	2	EA	10.60	LB
	4.963.0001.206	-	1/2" U-BOLT ASSEMBLY (3-1/2")	4	EA	3.60	LB
	3.930.1008.002	A	KNEE BRACE	1	EA	25.20	LB
	3.960.0067.008	A	2.875" OD x 0.203" WALL x 8' PIPE	1	EA	48.64	LB
	3.963.0202.001	A	ANGLE INSERT	4	EA	4.40	LB
	3.960.0068.015	A	3.500" OD x 0.216" WALL x 15' PIPE	2	EA	238.78	LB
	1202041		5/8" X 1-1/2" A325 BOLT ASS'Y - HDG	3	EA	1.11	LB
			Page Sub Total Weight (not 5.)			318.13	
			Page Sub Total Weight (5.)			212.79	
			Page Sub Total Weight			530.92	



<u>LotID</u>	<u>Part ID</u>	<u>Rev</u>	<u>Description</u>	<u>Ext Qty</u>	<u>UM</u>	<u>Ext Weight</u>	<u>UM</u>
<b>9</b>	<b>9.927.4</b>		<b>ANTENNA MOUNT MATERIAL</b>				
			OWNER BMOG: ANT.No 27, EL. 198', 20' 4" OMNI OWNER ECL: ANT.No 28, EL. 200', TETRA 8' WHIP, AZ. 180 FIELD CUT AND FIELD DRILL KNEE BRACE, TO SUIT LENGHT				
	5.930.0323.007	-	2' SINGLE ARM S/O (3-1/2") c/w (1) MBA	4	EA		
	3.930.0398.004	B	3-1/2" x 2' STANDOFF ARM D	4	EA	78.40	LB
	5.963.0001.210	-	MEDIUM BACKING 'B' ASSEMBLY	8	EA		
	3.963.0209.001	A	MEDIUM BACKING CHANNEL	M	16 EA	44.80	LB
	4.963.0019.213	-	1/2" X 13" GALV THREAD ROD ASS'Y	M	16 EA	14.40	LB
	1202021	-	1/2" X 1-1/2" A325 BOLT ASSY-HDG PAILS	M	16 EA	3.39	LB
	5.960.0003.001	-	FIXED CROSSOVER ASSEMBLY (3-1/2"-3-1/2")	4	EA		
	3.930.0338.002	A	MEDIUM PIPE-PIPE CONN PLATE	4	EA	24.00	LB
	4.963.0001.206	-	1/2" U-BOLT ASSEMBLY (3-1/2")	16	EA	14.40	LB
	5.960.0003.002	-	FIXED CROSSOVER ASSEMBLY (2-7/8"-3-1/2")	4	EA		
	3.930.0338.002	A	MEDIUM PIPE-PIPE CONN PLATE	4	EA	24.00	LB
	4.963.0001.208	-	1/2" U-BOLT ASSEMBLY (3") KANBAN	8	EA	7.20	LB
	4.963.0001.206	-	1/2" U-BOLT ASSEMBLY (3-1/2")	8	EA	7.20	LB
	5.927.0100.003	-	STABILIZER CLIP KIT (FITS 3-1/2" PIPES)	4	EA		
	3.927.0428.001	A	STABILIZER CLIP	4	EA	21.20	LB
	4.963.0001.206	-	1/2" U-BOLT ASSEMBLY (3-1/2")	8	EA	7.20	LB
	3.930.1008.002	A	KNEE BRACE	2	EA	50.40	LB
	3.960.0067.008	A	2.875" OD x 0.203" WALL x 8' PIPE	2	EA	97.28	LB
	3.963.0202.001	A	ANGLE INSERT	4	EA	4.40	LB
	3.960.0068.020	A	3.500" OD x 0.216" WALL x 20' PIPE	2	EA	318.36	LB
	1202041		5/8" X 1-1/2" A325 BOLT ASS'Y - HDG	5	EA	1.85	LB
			Page Sub Total Weight (not 5.)			472.29	
			Page Sub Total Weight (5.)			246.19	
			Page Sub Total Weight			718.48	

<u>LotID</u>	<u>Part ID</u>	<u>Rev</u>	<u>Description</u>	<u>Ext Qty</u>	<u>UM</u>	<u>Ext Weight</u>	<u>UM</u>
<b>9</b>	<b>9.927.5</b>		<b>ANTENNA MOUNT MATERIAL</b>				
			OWNER GOV: ANT.No 29, EL. 210', TETRA AE2, AZ. 90 FIELD CUT AND FIELD DRILL KNEE BRACE, TO SUIT LENGHT				
	5.930.0323.007	-	2' SINGLE ARM S/O (3-1/2") c/w (1) MBA	4	EA		
	3.930.0398.004	B	3-1/2" x 2' STANDOFF ARM D	4	EA	78.40	LB
	5.963.0001.210	-	MEDIUM BACKING 'B' ASSEMBLY	8	EA		
	3.963.0209.001	A	MEDIUM BACKING CHANNEL	16	EA	44.80	LB
	4.963.0019.213	-	1/2" X 13" GALV THREAD ROD ASS'Y	16	EA	14.40	LB
	1202021	-	1/2" X 1-1/2" A325 BOLT ASSY-HDG PAILS	16	EA	3.39	LB
	5.960.0003.001	-	FIXED CROSSOVER ASSEMBLY (3-1/2"-3-1/2")	4	EA		
	3.930.0338.002	A	MEDIUM PIPE-PIPE CONN PLATE	4	EA	24.00	LB
	4.963.0001.206	-	1/2" U-BOLT ASSEMBLY (3-1/2")	16	EA	14.40	LB
	5.960.0003.002	-	FIXED CROSSOVER ASSEMBLY (2-7/8"-3-1/2")	2	EA		
	3.930.0338.002	A	MEDIUM PIPE-PIPE CONN PLATE	2	EA	12.00	LB
	4.963.0001.208	-	1/2" U-BOLT ASSEMBLY (3") KANBAN	4	EA	3.60	LB
	4.963.0001.206	-	1/2" U-BOLT ASSEMBLY (3-1/2")	4	EA	3.60	LB
	5.927.0100.003	-	STABILIZER CLIP KIT (FITS 3-1/2" PIPES)	2	EA		
	3.927.0428.001	A	STABILIZER CLIP	2	EA	10.60	LB
	4.963.0001.206	-	1/2" U-BOLT ASSEMBLY (3-1/2")	4	EA	3.60	LB
	3.930.1008.002	A	KNEE BRACE	1	EA	25.20	LB
	3.960.0067.008	A	2.875" OD x 0.203" WALL x 8' PIPE	1	EA	48.64	LB
	3.963.0202.001	A	ANGLE INSERT	4	EA	4.40	LB
	3.960.0068.015	A	3.500" OD x 0.216" WALL x 15' PIPE	2	EA	238.78	LB
	1202041		5/8" X 1-1/2" A325 BOLT ASS'Y - HDG	3	EA	1.11	LB
			Page Sub Total Weight (not 5.)			318.13	
			Page Sub Total Weight (5.)			212.79	
			Page Sub Total Weight			530.92	

<u>LotID</u>	<u>Part ID</u>	<u>Rev</u>	<u>Description</u>	<u>Ext Qty</u>	<u>UM</u>	<u>Ext Weight</u>	<u>UM</u>
<b>9</b>	<b>9.927.6</b>		<b>ANTENNA MOUNT MATERIAL</b>				
			OWNER GOV: ANT.No 30, EL. 220', TETRA AE1, AZ. 180 FIELD CUT AND FIELD DRILL KNEE BRACE, TO SUIT LENGHT				
	5.930.0323.007	-	2' SINGLE ARM S/O (3-1/2") c/w (1) MBA	4	EA		
	3.930.0398.004	B	3-1/2" x 2' STANDOFF ARM D	4	EA	78.40	LB
	5.963.0001.210	-	MEDIUM BACKING 'B' ASSEMBLY	8	EA		
	3.963.0209.001	A	MEDIUM BACKING CHANNEL	16	EA	44.80	LB
	4.963.0019.213	-	1/2" X 13" GALV THREAD ROD ASS'Y	16	EA	14.40	LB
	1202021	-	1/2" X 1-1/2" A325 BOLT ASSY-HDG PAILS	16	EA	3.39	LB
	5.960.0003.001	-	FIXED CROSSOVER ASSEMBLY (3-1/2"-3-1/2")	4	EA		
	3.930.0338.002	A	MEDIUM PIPE-PIPE CONN PLATE	4	EA	24.00	LB
	4.963.0001.206	-	1/2" U-BOLT ASSEMBLY (3-1/2")	16	EA	14.40	LB
	5.960.0003.002	-	FIXED CROSSOVER ASSEMBLY (2-7/8"-3-1/2")	2	EA		
	3.930.0338.002	A	MEDIUM PIPE-PIPE CONN PLATE	2	EA	12.00	LB
	4.963.0001.208	-	1/2" U-BOLT ASSEMBLY (3") KANBAN	4	EA	3.60	LB
	4.963.0001.206	-	1/2" U-BOLT ASSEMBLY (3-1/2")	4	EA	3.60	LB
	5.927.0100.003	-	STABILIZER CLIP KIT (FITS 3-1/2" PIPES)	2	EA		
	3.927.0428.001	A	STABILIZER CLIP	2	EA	10.60	LB
	4.963.0001.206	-	1/2" U-BOLT ASSEMBLY (3-1/2")	4	EA	3.60	LB
	3.930.1008.002	A	KNEE BRACE	1	EA	25.20	LB
	3.960.0067.008	A	2.875" OD x 0.203" WALL x 8' PIPE	1	EA	48.64	LB
	3.963.0202.001	A	ANGLE INSERT	4	EA	4.40	LB
	3.960.0068.015	A	3.500" OD x 0.216" WALL x 15' PIPE	2	EA	238.78	LB
	1202041		5/8" X 1-1/2" A325 BOLT ASS'Y - HDG	3	EA	1.11	LB
			Page Sub Total Weight (not 5.)			318.13	
			Page Sub Total Weight (5.)			212.79	
			Page Sub Total Weight			530.92	

<u>LotID</u>	<u>Part ID</u>	<u>Rev</u>	<u>Description</u>	<u>Ext Qty</u>	<u>UM</u>	<u>Ext Weight</u>	<u>UM</u>
<b>9</b>	<b>9.927.7</b>		<b>ANTENNA MOUNT MATERIAL</b>				
			<i>OWNER IRIE FM</i>				
			<i>ANT. NO. (20)</i>				
			<i>2 BAY FM: 2' T X 2' W X 2' L</i>				
			<i>EL. = 115-125'</i>				
5.930.0323.007		-	2' SINGLE ARM S/O (3-1/2") c/w (1) MBA	4	EA		
3.930.0398.004		B	3-1/2" x 2' STANDOFF ARM D	4	EA	78.40	LB
5.963.0001.210		-	MEDIUM BACKING 'B' ASSEMBLY	8	EA		
3.963.0209.001		A	MEDIUM BACKING CHANNEL	16	EA	44.80	LB
4.963.0019.213		-	1/2" X 13" GALV THREAD ROD ASS'Y	16	EA	14.40	LB
1202021		-	1/2" X 1-1/2" A325 BOLT ASSY-HDG PAILS	16	EA	3.39	LB
5.960.0003.001		-	FIXED CROSSOVER ASSEMBLY (3-1/2"-3-1/2")	4	EA		
3.930.0338.002		A	MEDIUM PIPE-PIPE CONN PLATE	4	EA	24.00	LB
4.963.0001.206		-	1/2" U-BOLT ASSEMBLY (3-1/2")	16	EA	14.40	LB
5.960.0003.002		-	FIXED CROSSOVER ASSEMBLY (2-7/8"-3-1/2")	2	EA		
3.930.0338.002		A	MEDIUM PIPE-PIPE CONN PLATE	2	EA	12.00	LB
4.963.0001.208		-	1/2" U-BOLT ASSEMBLY (3") KANBAN	4	EA	3.60	LB
4.963.0001.206		-	1/2" U-BOLT ASSEMBLY (3-1/2")	4	EA	3.60	LB
5.927.0100.003		-	STABILIZER CLIP KIT (FITS 3-1/2" PIPES)	2	EA		
3.927.0428.001		A	STABILIZER CLIP	2	EA	10.60	LB
4.963.0001.206		-	1/2" U-BOLT ASSEMBLY (3-1/2")	4	EA	3.60	LB
3.930.1008.002		A	KNEE BRACE	1	EA	25.20	LB
3.960.0067.008		A	2.875" OD x 0.203" WALL x 8' PIPE	1	EA	48.64	LB
3.963.0202.001		A	ANGLE INSERT	4	EA	4.40	LB
3.960.0068.021		A	3.500" OD x 0.216" WALL x 21' PIPE	2	EA	334.28	LB
1202041			5/8" X 1-1/2" A325 BOLT ASS'Y - HDG	3	EA	1.11	LB
			Page Sub Total Weight (not 5.)			413.63	
			Page Sub Total Weight (5.)			212.79	
			Page Sub Total Weight			626.42	
			<b><u>Total Weight (not 5.)</u></b>			<b><u>62,246.40</u></b>	
			<b><u>Total Weight (5.)</u></b>			<b><u>6,687.13</u></b>	
			<b><u>Total Weight</u></b>			<b><u>68,933.53</u></b>	