

Structures Section

BEACON LOCATIONS:

23A
LAT. 32 23.3010N
LONG. 64 49.9031W

24A
LAT. 32 23.3530N
LONG. 64 49.7666W

ISSUED FOR: TENDER 17/05/2016

AMENDMENTS:
NO REVISION BY/APP DATE

NO	REVISION	BY/APP	DATE

SCALE: AS SHOWN

SURVEY
PREPARED BY: DATE:

DESIGN
PREPARED BY: DATE: 02/05/14
R. CROSSLEY
CHECKED BY: DATE: 02/05/14
R. CROSSLEY

DRAWING
PREPARED BY: DATE: 02/05/14
T. HARMER
CHECKED BY: DATE: 02/05/14
R. CROSSLEY

APPROVED BY: DATE: 02/05/14
R. CROSSLEY

PROJECT NUMBER:

PROJECT NAME:
**NEW CHANNEL
MARKER BEACONS
BEACONS 23A & 24A**

SHEET TITLE:
NEW BEACON

SHEET NUMBER: SK1
REVISION

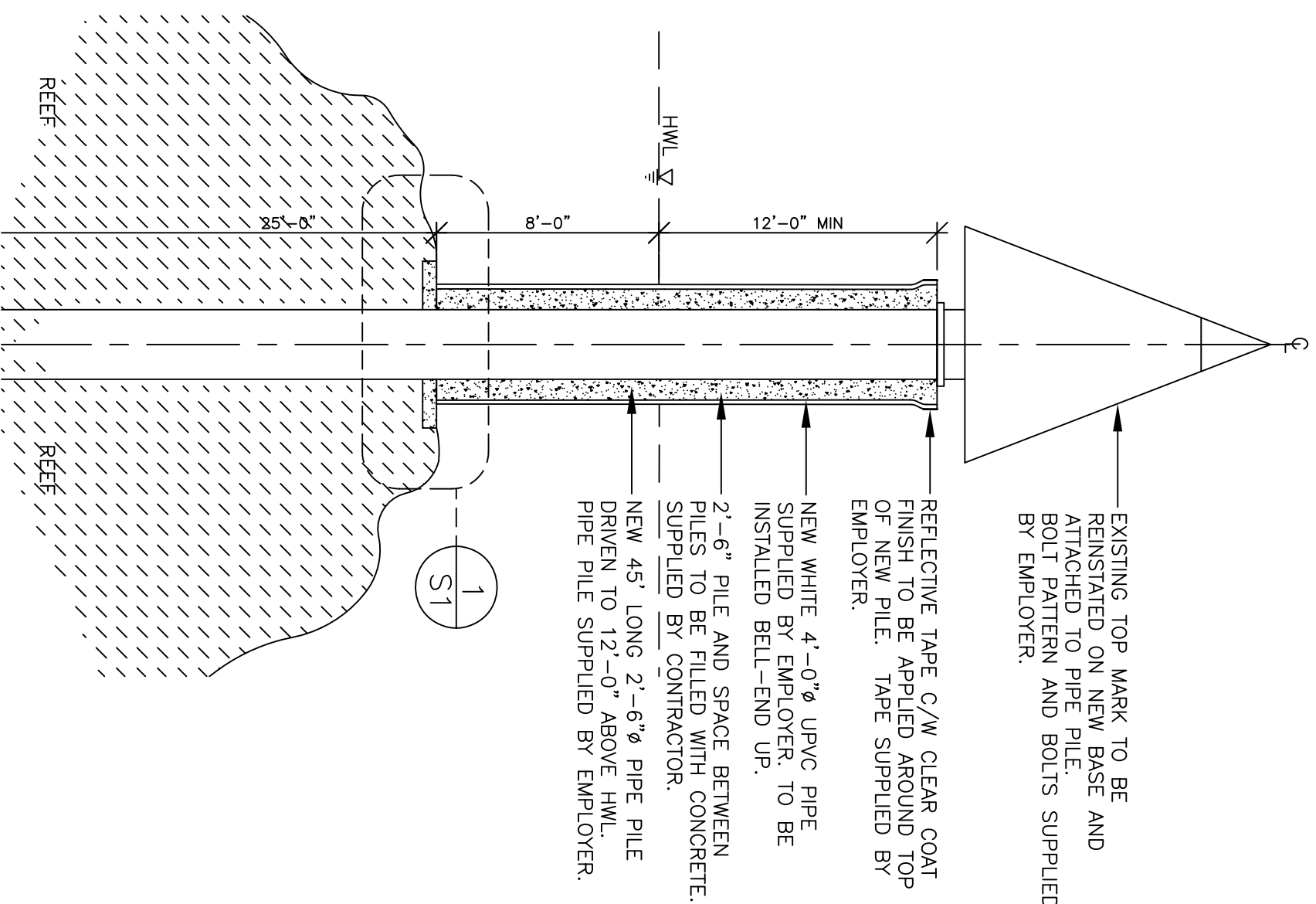
EXISTING TOP MARK TO BE REINSTATED ON NEW BASE AND ATTACHED TO PIPE PILE. BOLT PATTERN AND BOLTS SUPPLIED BY EMPLOYER.

REFLECTIVE TAPE C/W CLEAR COAT FINISH TO BE APPLIED AROUND TOP OF NEW PILE. TAPE SUPPLIED BY EMPLOYER.

NEW WHITE 4'-0"Ø UPVC PIPE SUPPLIED BY EMPLOYER. TO BE INSTALLED BELL-END UP.

2'-6" PILE AND SPACE BETWEEN PILES TO BE FILLED WITH CONCRETE. SUPPLIED BY CONTRACTOR.

NEW 45' LONG 2'-6"Ø PIPE PILE DRIVEN TO 12'-0" ABOVE HWL. PIPE PILE SUPPLIED BY EMPLOYER.



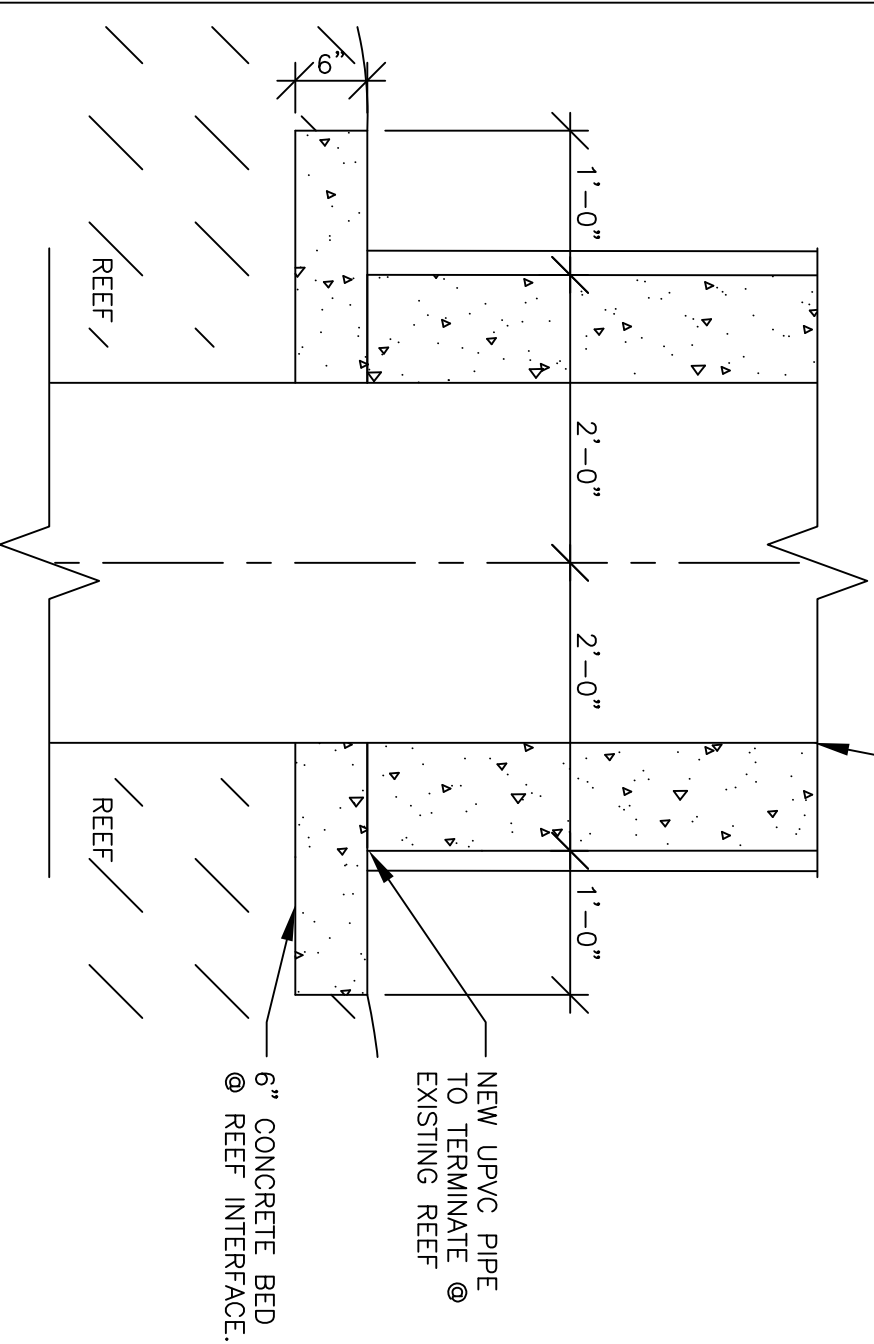
CROSS-SECTION

3/16" = 1'-0"

NEW 45' LONG 2'-6"Ø PIPE PILE DRIVEN TO 12'-0" ABOVE HWL. PIPE TO BE FILLED WITH CONCRETE SUPPLIED BY CONTRACTOR SUPPLIED BY EMPLOYER.

NEW UPVC PIPE TO TERMINATE @ EXISTING REEF

6" CONCRETE BED @ REEF INTERFACE.



CONCRETE DETAIL

3/4" = 1'-0"