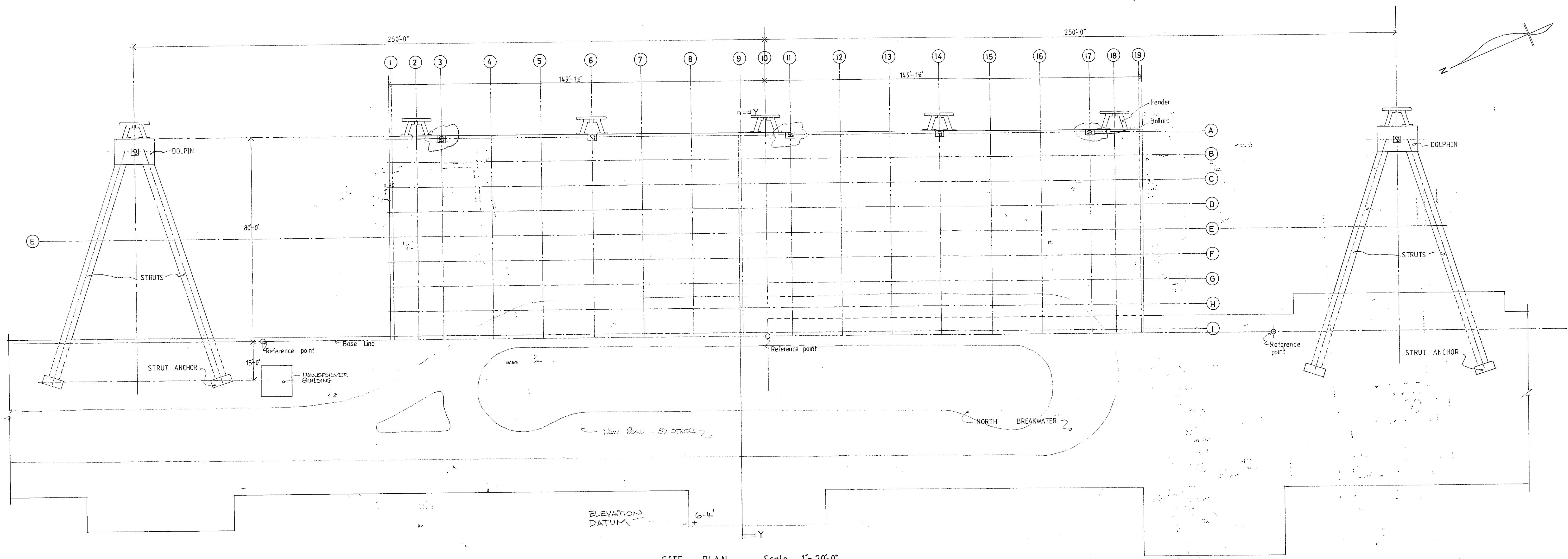


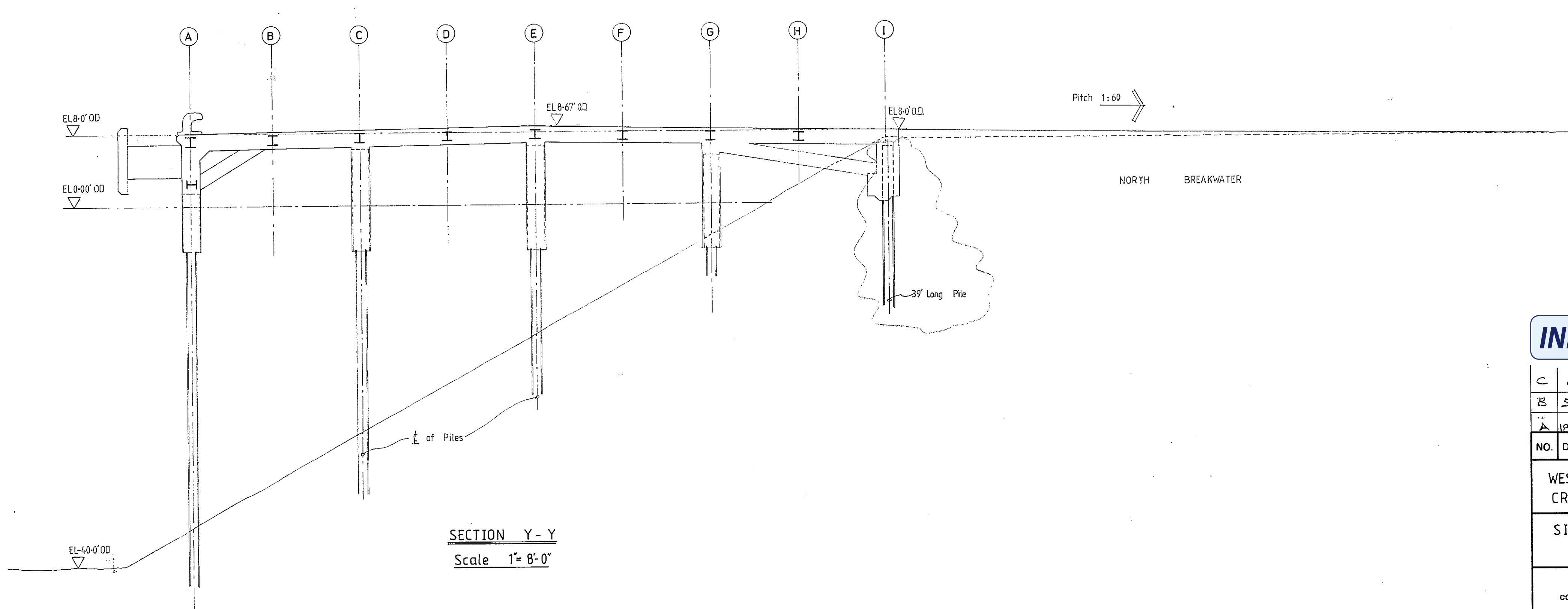
PLAN
 1/8" = 1'-0"

INFORMATION ONLY

NO.	DATE	REVISION
		WEDCO - NORTH ARM TERMINAL BUILDING.
<p>WOODBOURNE ASSOCIATES LTD. CONSULTING ENGINEERS, SURVEYORS, DESIGNERS & VALUERS</p> <p>P.O. BOX 934 HAMILTON 5, BERMUDA TEL: 809-29 2-7373 809-29 5-0319</p>		
DRAWN	SCALE 1/8" = 1'-0"	
CHECKED	JOB NO. 4755	
DATE Aja. '86	DRAWING NO.	



SITE PLAN Scale 1" = 20'-0"



SECTION Y-Y Scale 1" = 8'-0"

INFORMATION ONLY

C	1 May 87	Bolines positions adjusted.
B	5/8-87	Piles added to abutment wall.
A	18 JUNE 87	ELEV DATUM ADDED

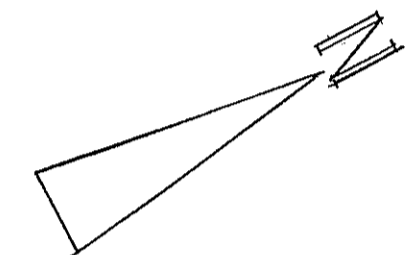
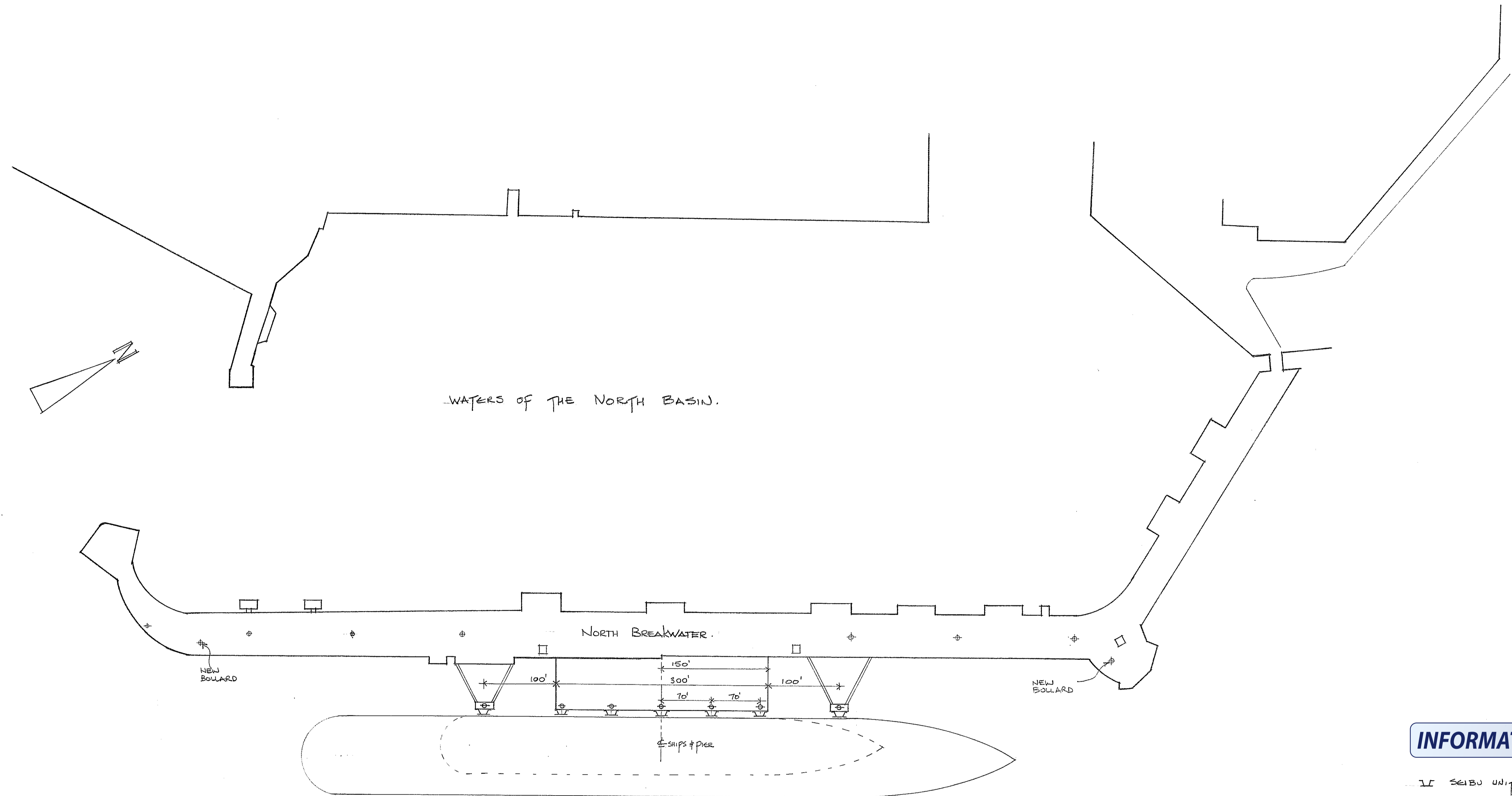
NO.	DATE	REVISION
-----	------	----------

WEST END DEVELOPMENT CORP.
CRUISE SHIP PIER

SITE PLAN & SECTION

WOODBOURNE ASSOCIATES LTD.
CONSULTING ENGINEERS, SURVEYORS, DESIGNERS & VALUERS
P.O. BOX 934
HAMILTON 5, BERMUDA
TEL: 809-29 2-7373 809-29 5-0319

DRAWN	RJA.	SCALE	As noted
CHECKED		JOB NO.	4755
DATE	March 87	DRAWING NO.	01



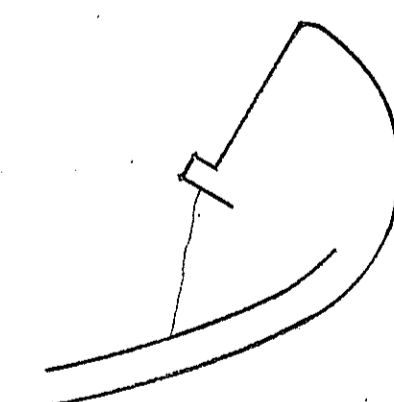
WATERS OF THE NORTH BASIN.

NORTH BREAKWATER

NEW BOLLARD

NEW BOLLARD

SHIPS + PIER



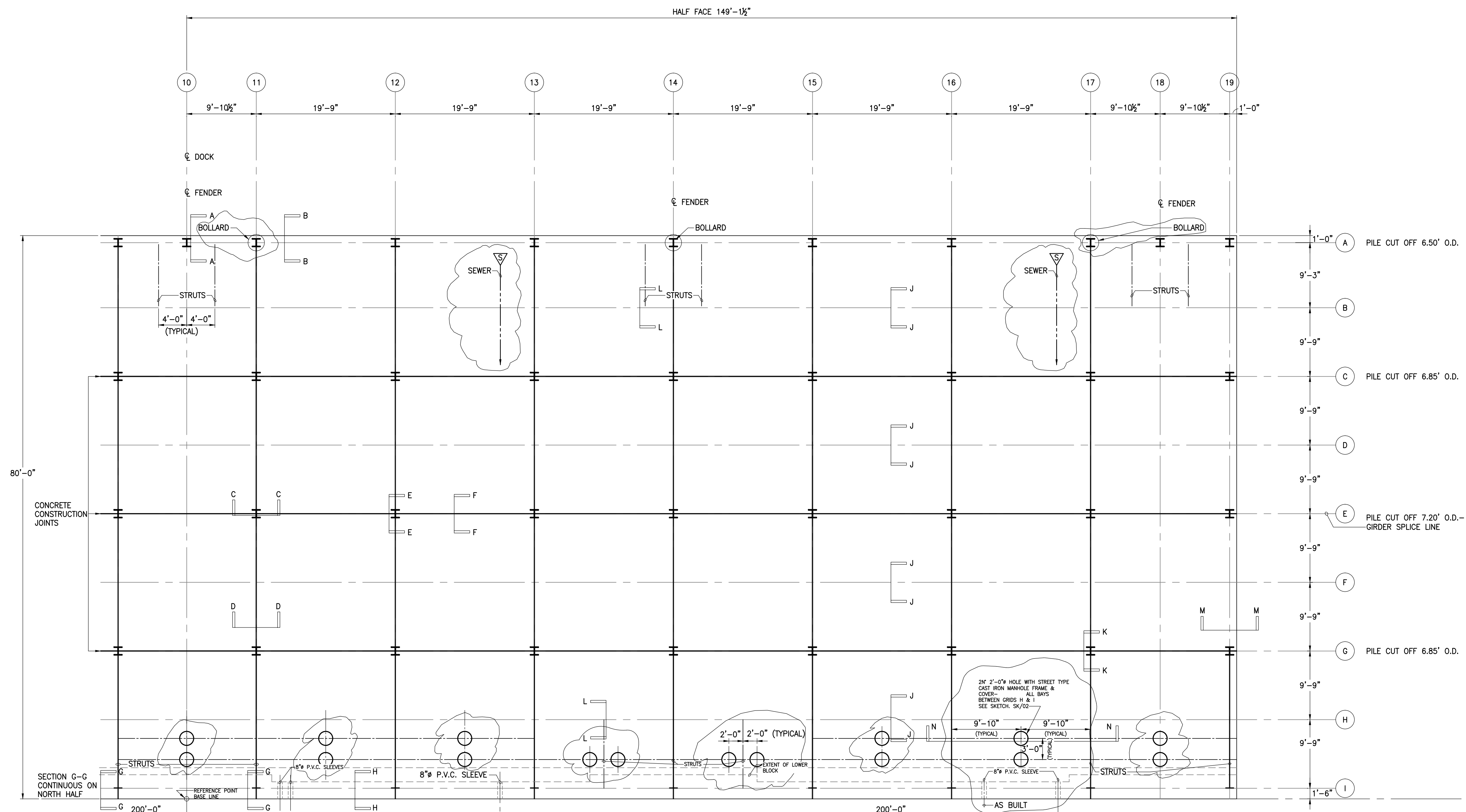
PLAN
1" = 80'

INFORMATION ONLY

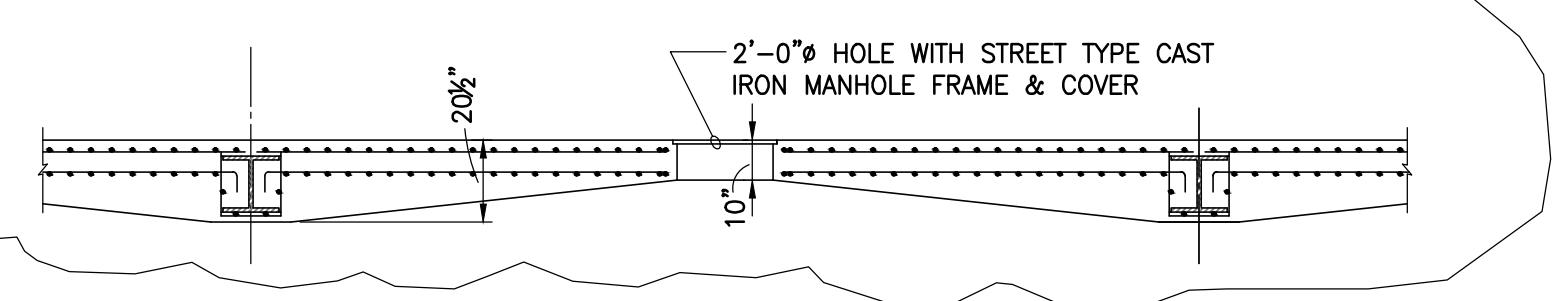
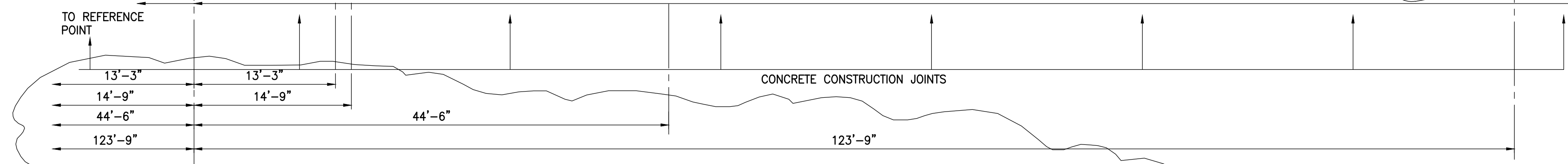
- I SEIBU UNIT TYPE FENDER.
- S SPRING LINE BOLLARD.
- B BREASTING LINE BOLLARD.

A 10-6-87 BREASTING LINE BOLLARDS ADDED.

NO.	DATE	REVISION
		PRELIMINARY DESIGN FOR CRUISE SHIP DOCK.
		IRELAND ISLAND, SANDY'S PAR.
WOODBOURNE ASSOCIATES LTD. <small>CONSULTING ENGINEERS, SURVEYORS, DESIGNERS & VALUERS</small>		
<small>P.O. BOX 934 HAMILTON 5, BERMUDA TEL: 809-29 2-7373 809-29 5-0319</small>		
DRAWN	SCALE 1" = 80'	
CHECKED	JOB NO. 4755	
DATE MAY 86	DRAWING NO. C.S.D.1	



INFORMATION ONLY



SECTION N-N
SCALE 1"=4'-0"

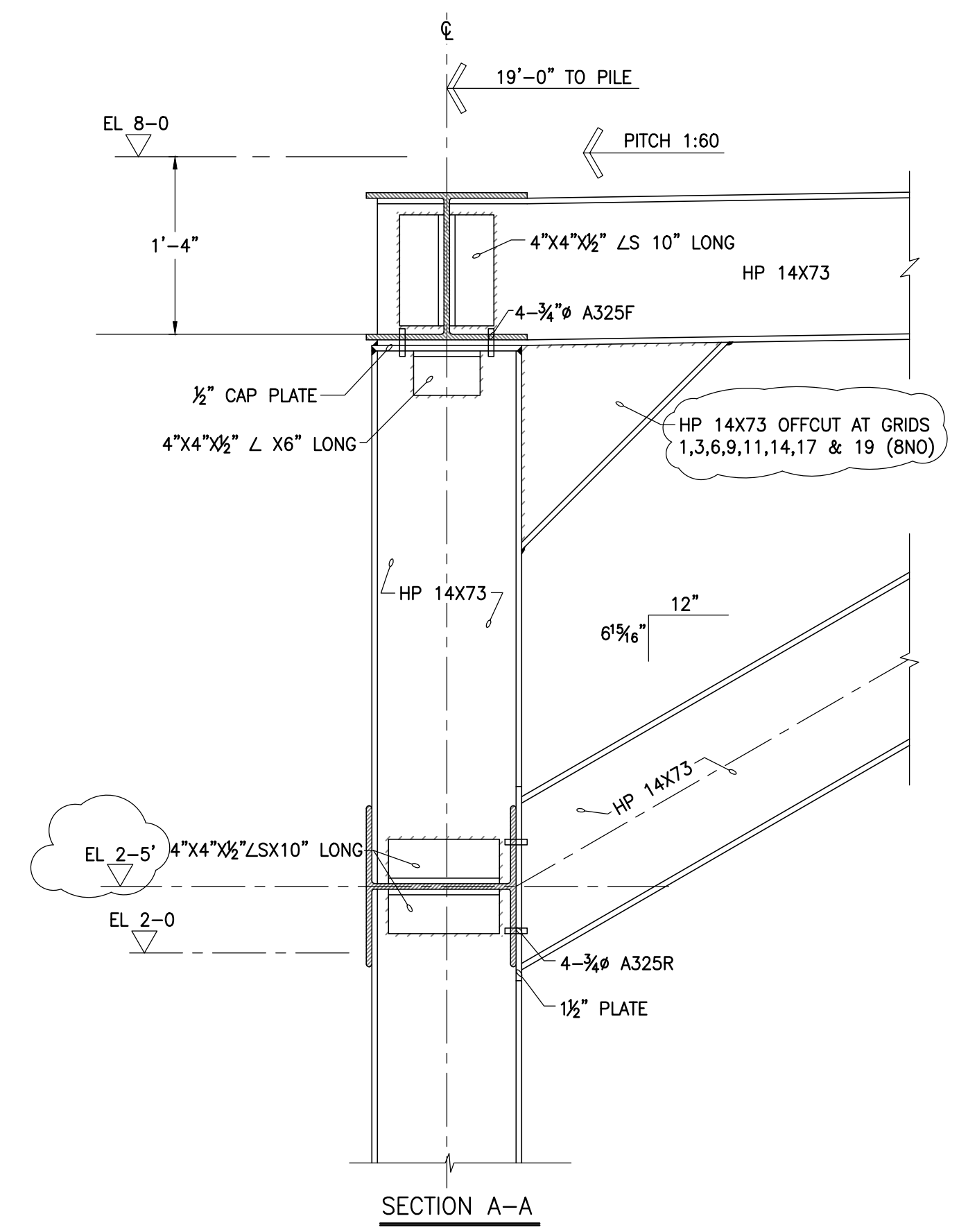
NO.	DATE	REVISION
D	DEC '87	M.H.'S LOCATIONS REVISED
C	NOV '87	BOLLARD POSITIONS ADJUSTED
B	5-8-87	PIPE SLEEVES, MANHOLES & SECTION N-N ADDED INCL. AMENDING SEWER LINES.
A	24-4-87	SECTION M-M & ADDIT. DIMS ADDED

**WEST END DEVELOPMENT CORP.
CRUISE SHIP PIER**

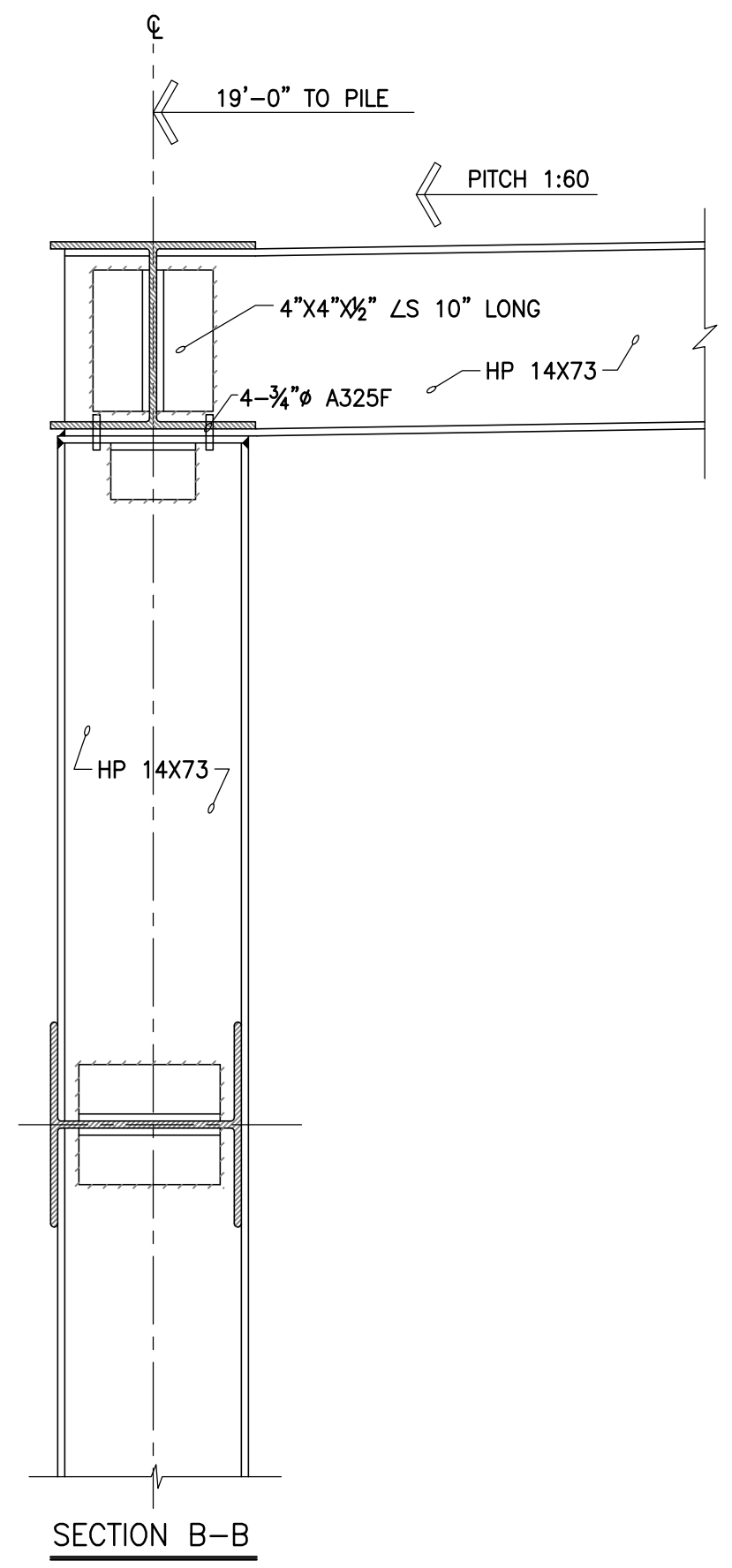
**MAIN PIER
PART PLAN**

WOODBURNE ASSOCIATES LTD.
CONSULTING ENGINEERS, SURVEYORS, DESIGNERS & VALUERS
P.O. BOX 934
HAMILTON 5, BERMUDA
TEL: 809-29 2-7373 809-29 5-0319

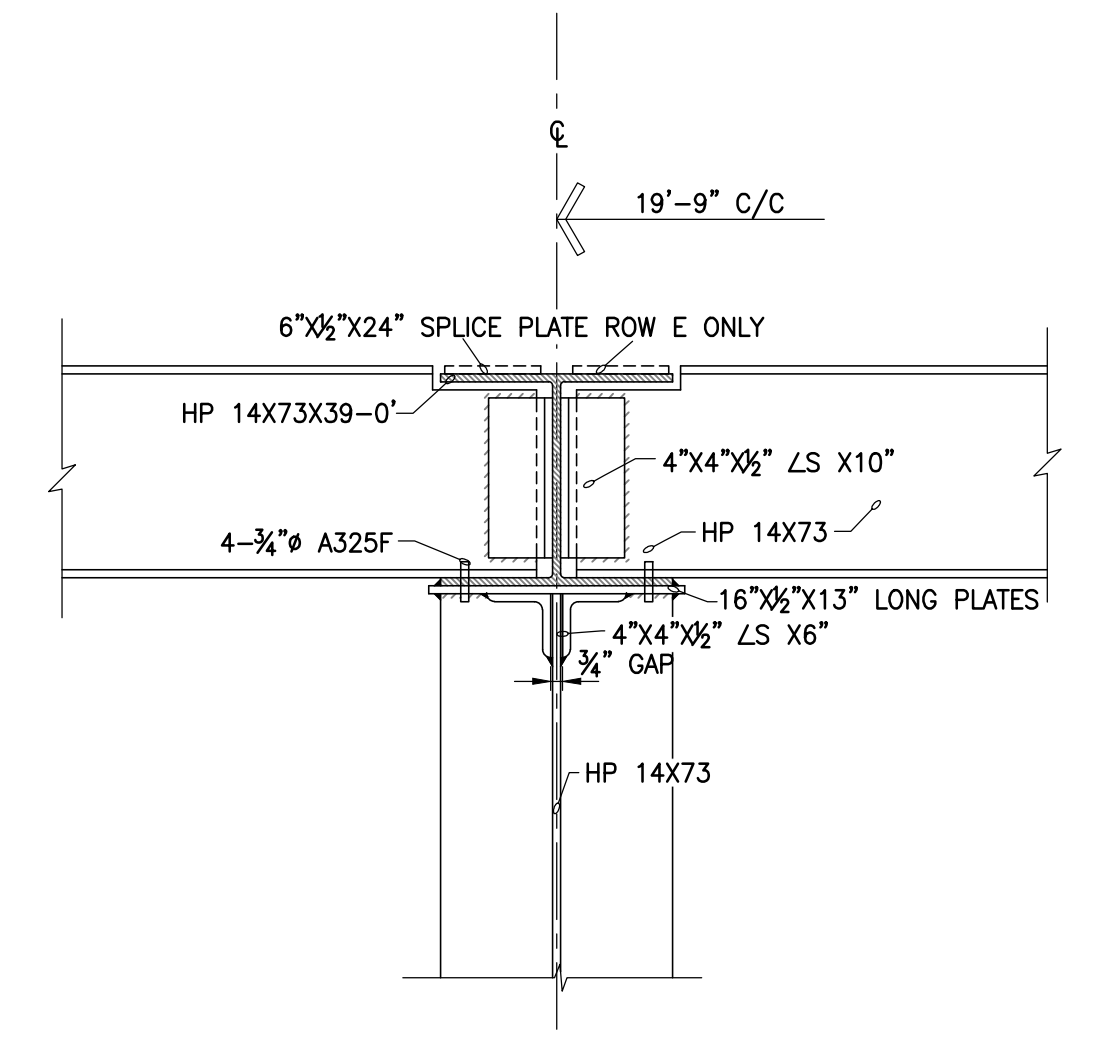
DRAWN	R.J.A.	SCALE	1"=8'-0"
CHECKED		JOB NO.	4755
DATE	March 87	DRAWING NO.	02



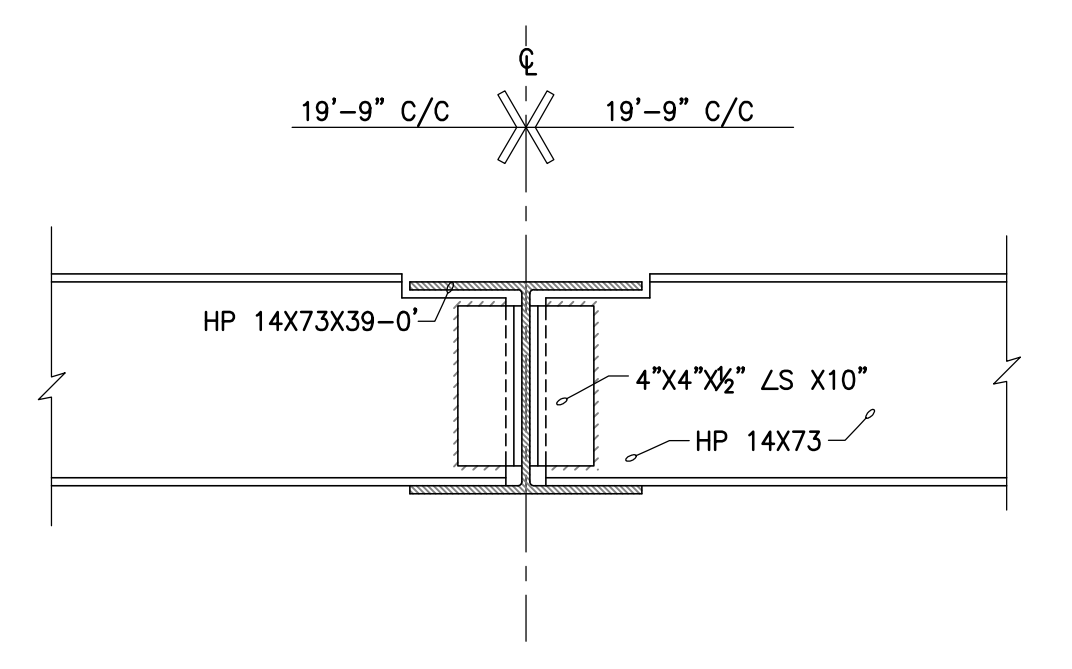
SECTION A-A



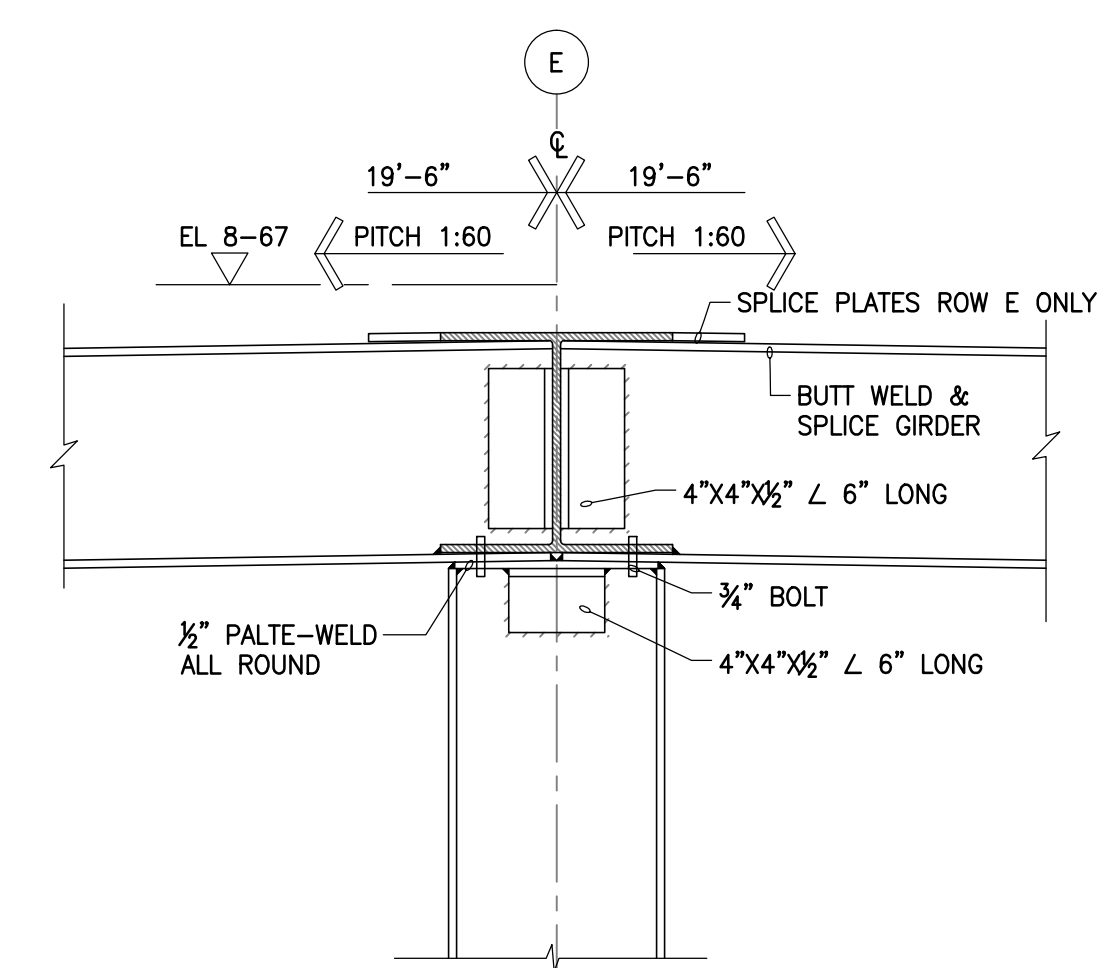
SECTION B-B



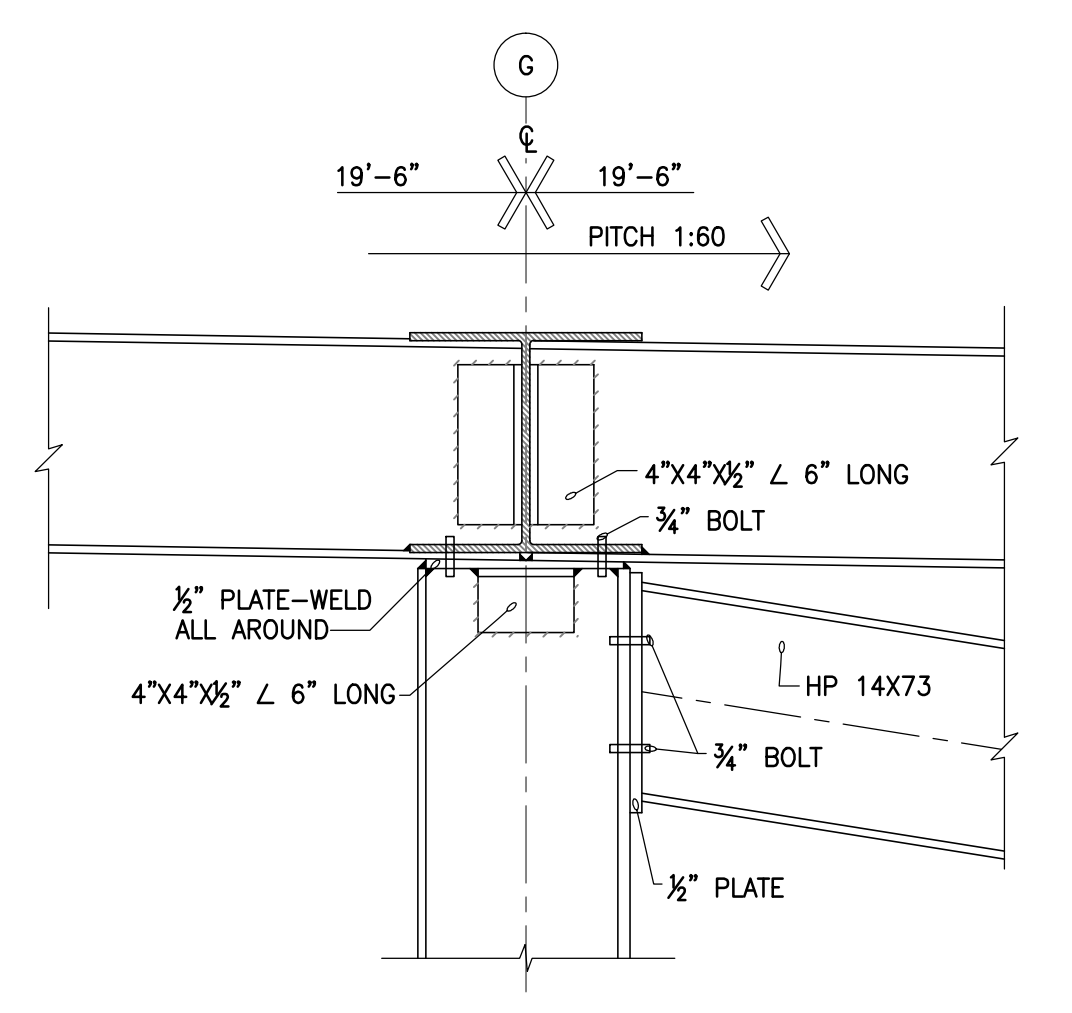
SECTION C-C
AT PILE



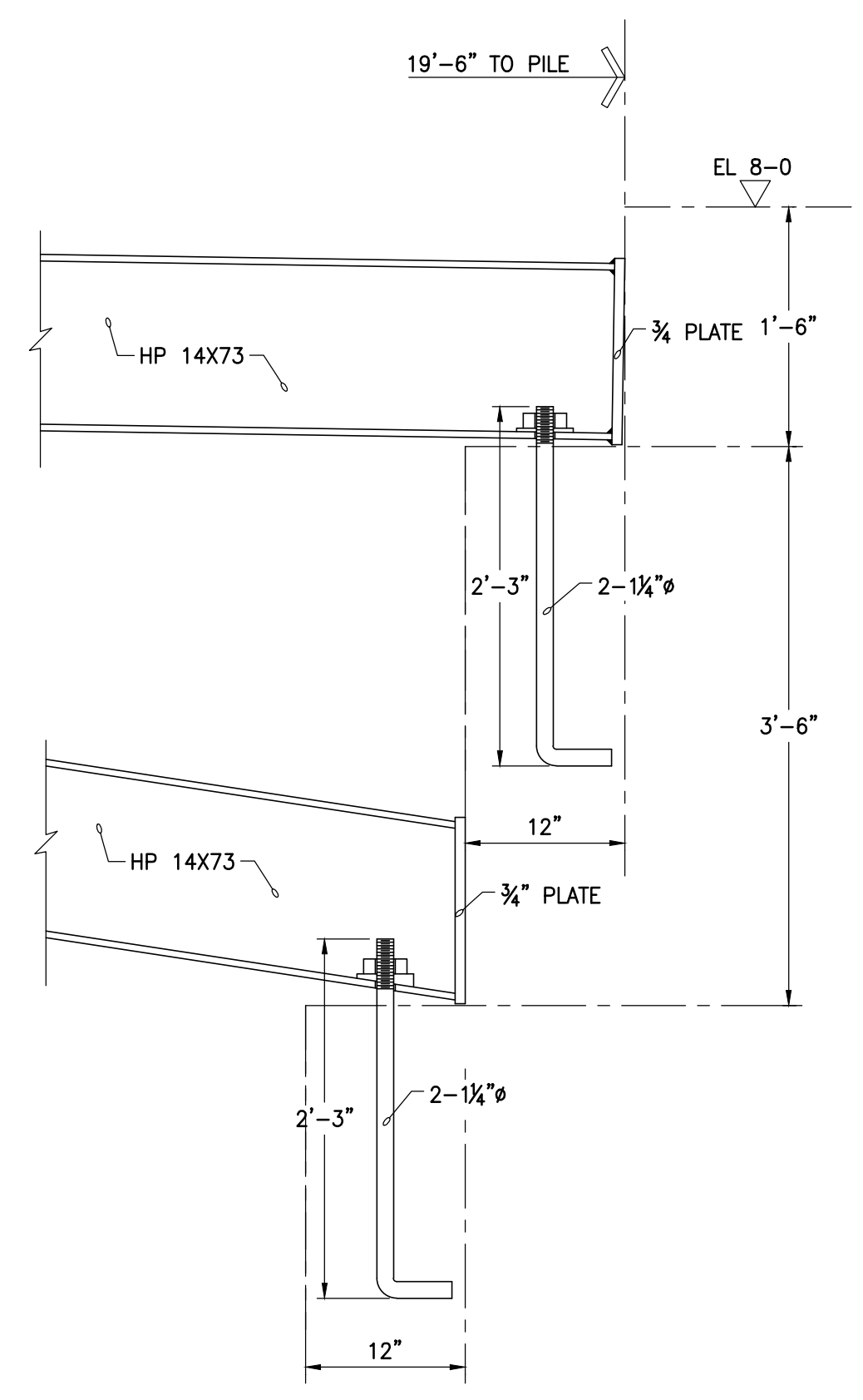
SECTION D-D
BEAMS TO GIRDER



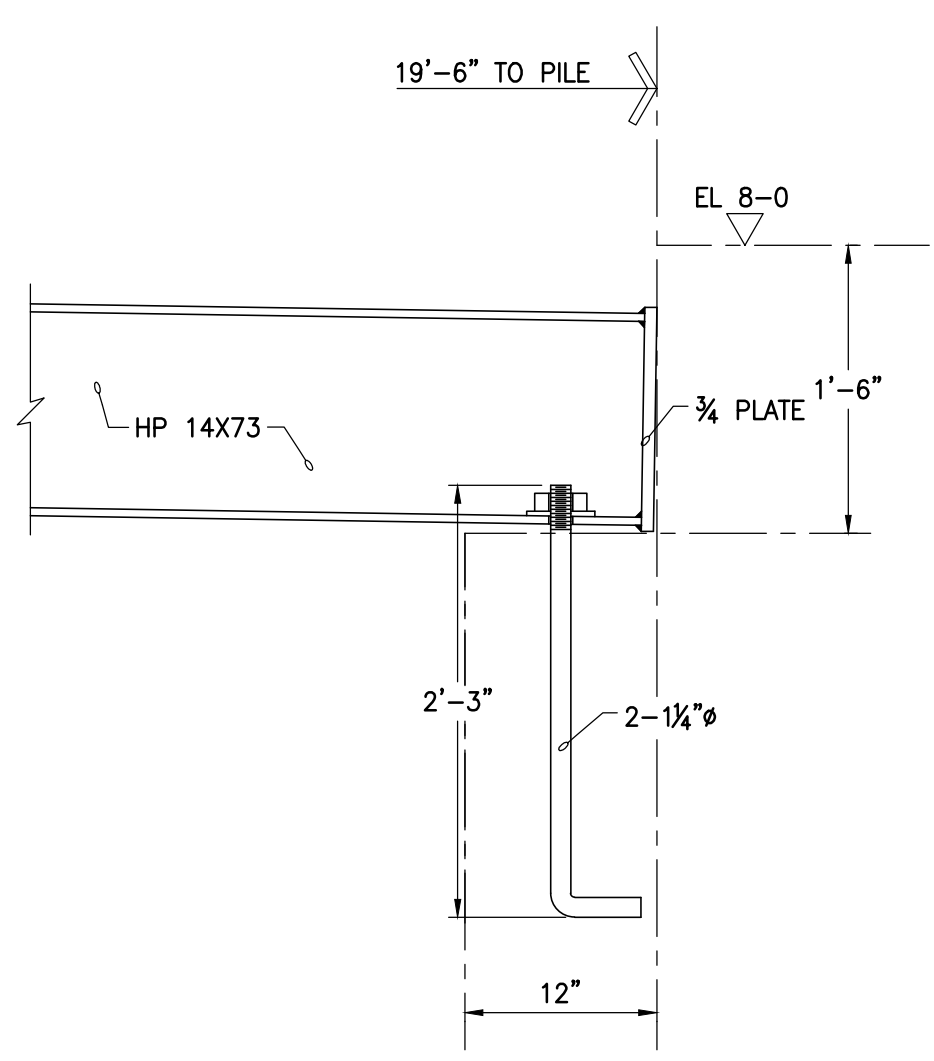
SECTION E-E
AT PILE



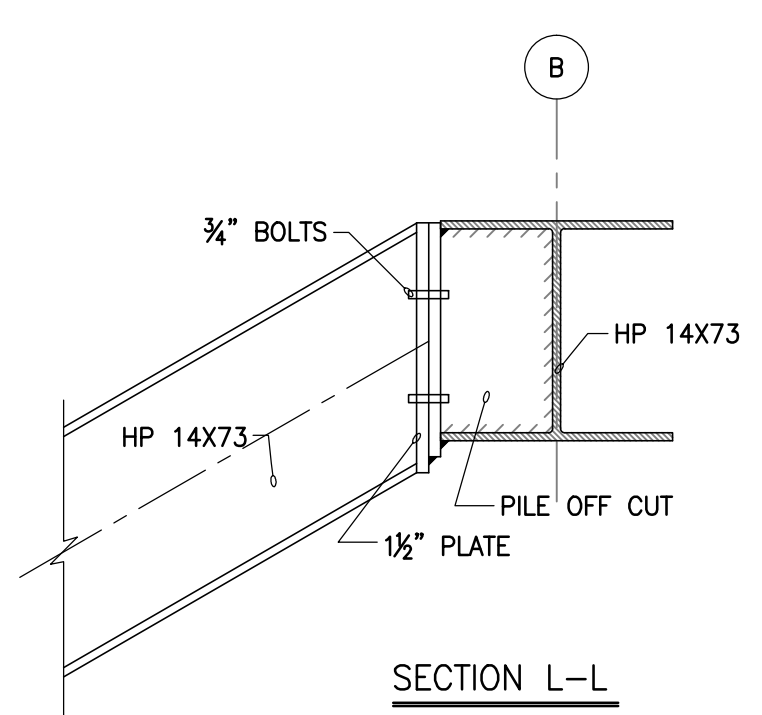
SECTION K-K



SECTION G-G



SECTION H-H

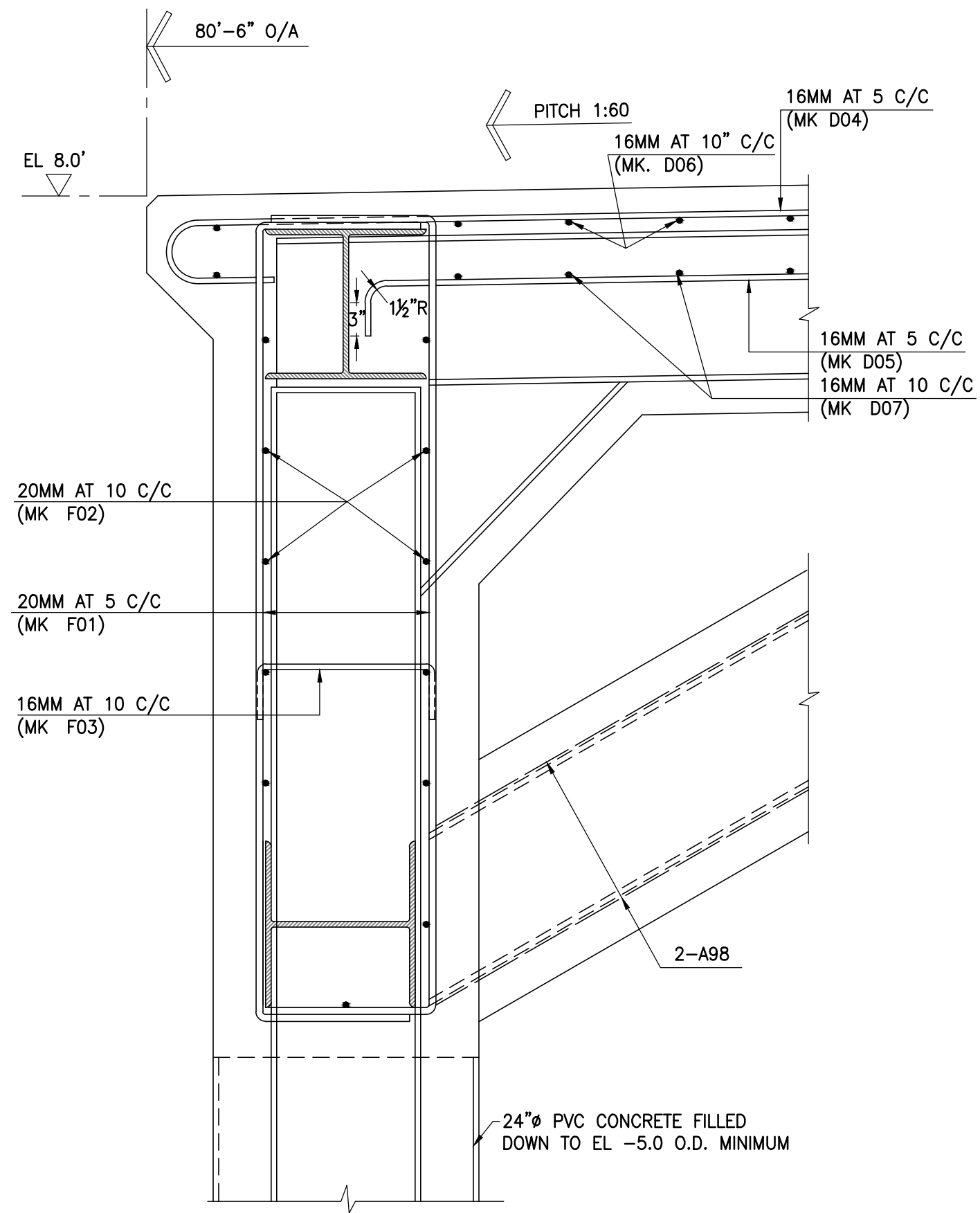


SECTION L-L

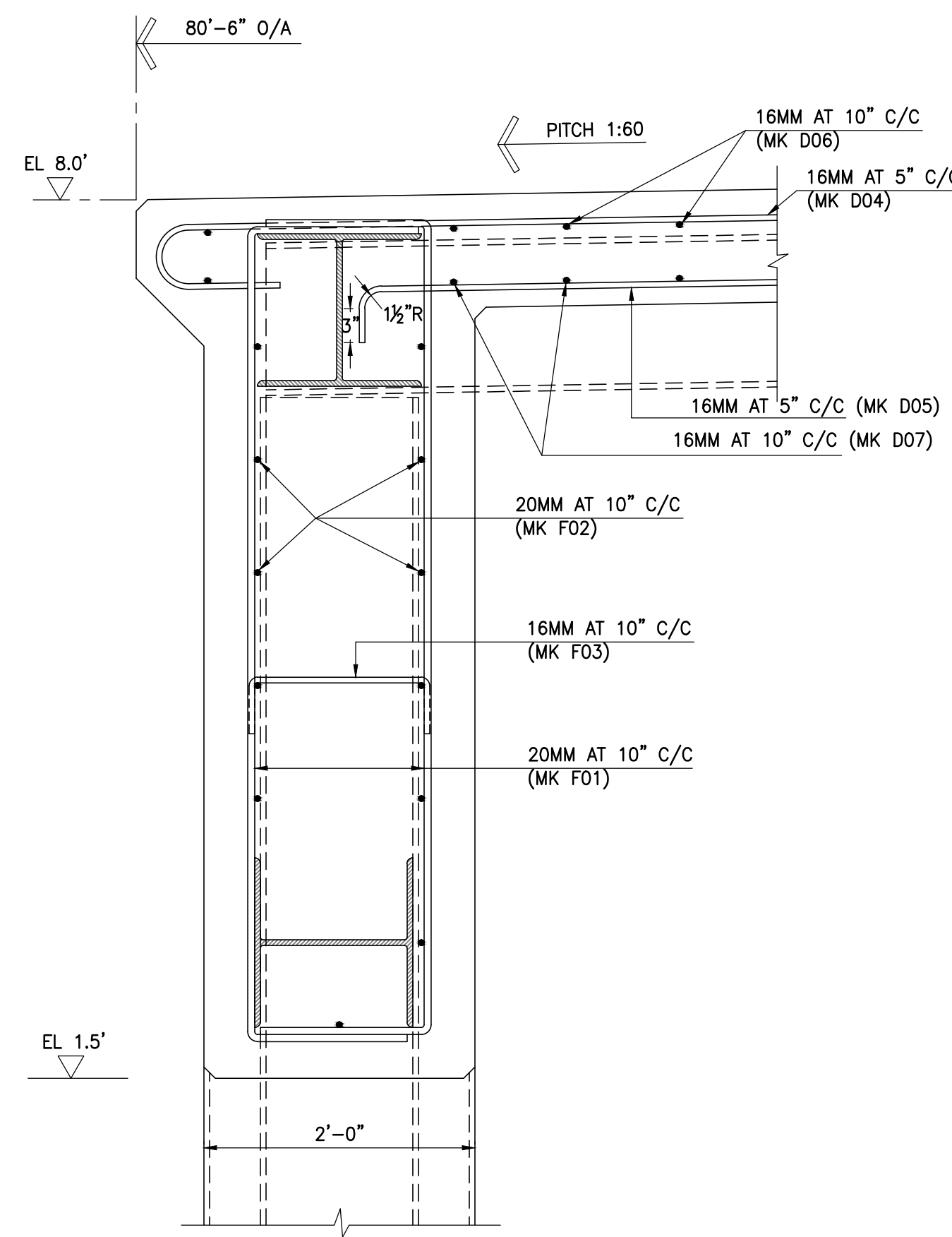
INFORMATION ONLY

A 24-4-87 OFFCUT NOTE AMENDED

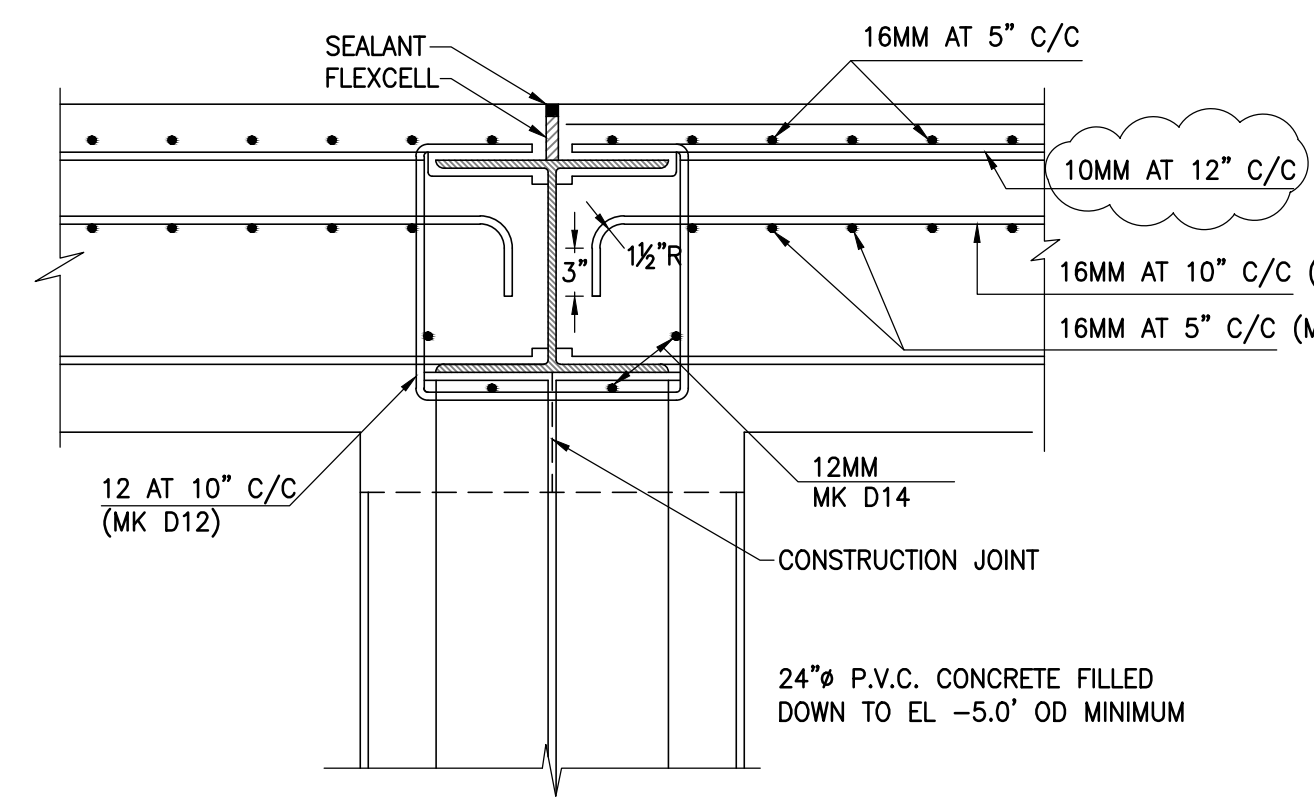
NO.	DATE	REVISION
WEST END DEVELOPMENT CORP. CRUISE SHIP PIER		
MAIN PIER STEEL DETAILS		
WOODBOURNE ASSOCIATES LTD. CONSULTING ENGINEERS, SURVEYORS, DESIGNERS & VALUERS P.O. BOX 934 HAMILTON 5, BERMUDA TEL: 809-29 2-7373 809-29 5-0319		
DRAWN	R.J.A	SCALE 1"=1'-0"
CHECKED		JOB NO. 4755
DATE	March 87	DRAWING NO. 03



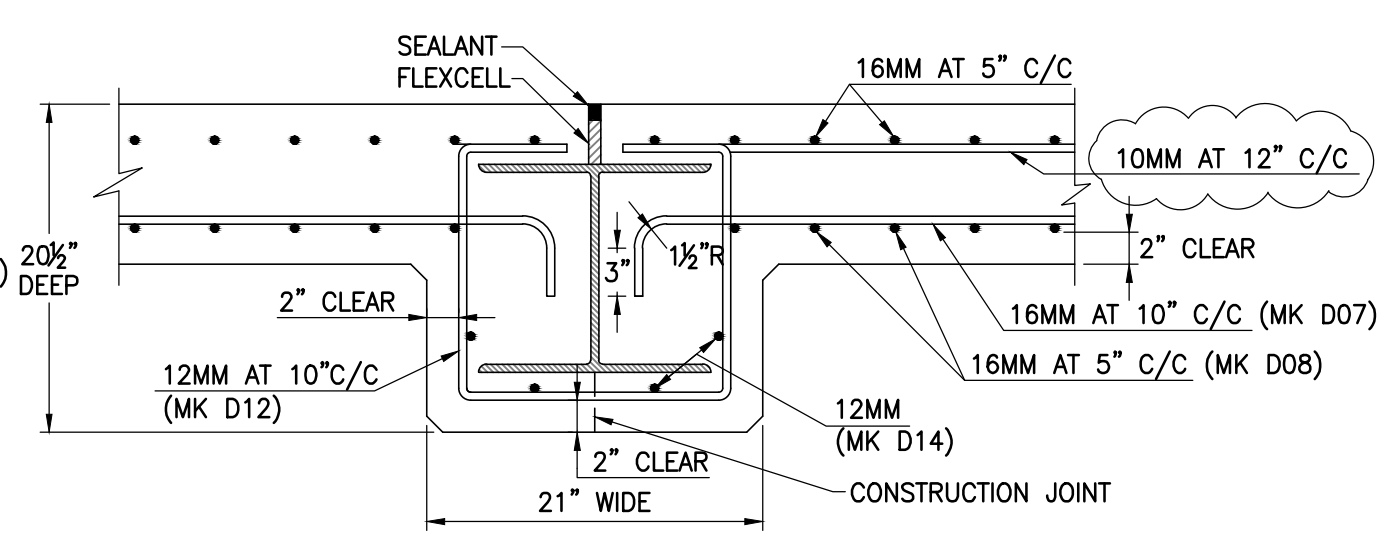
SECTION A-A



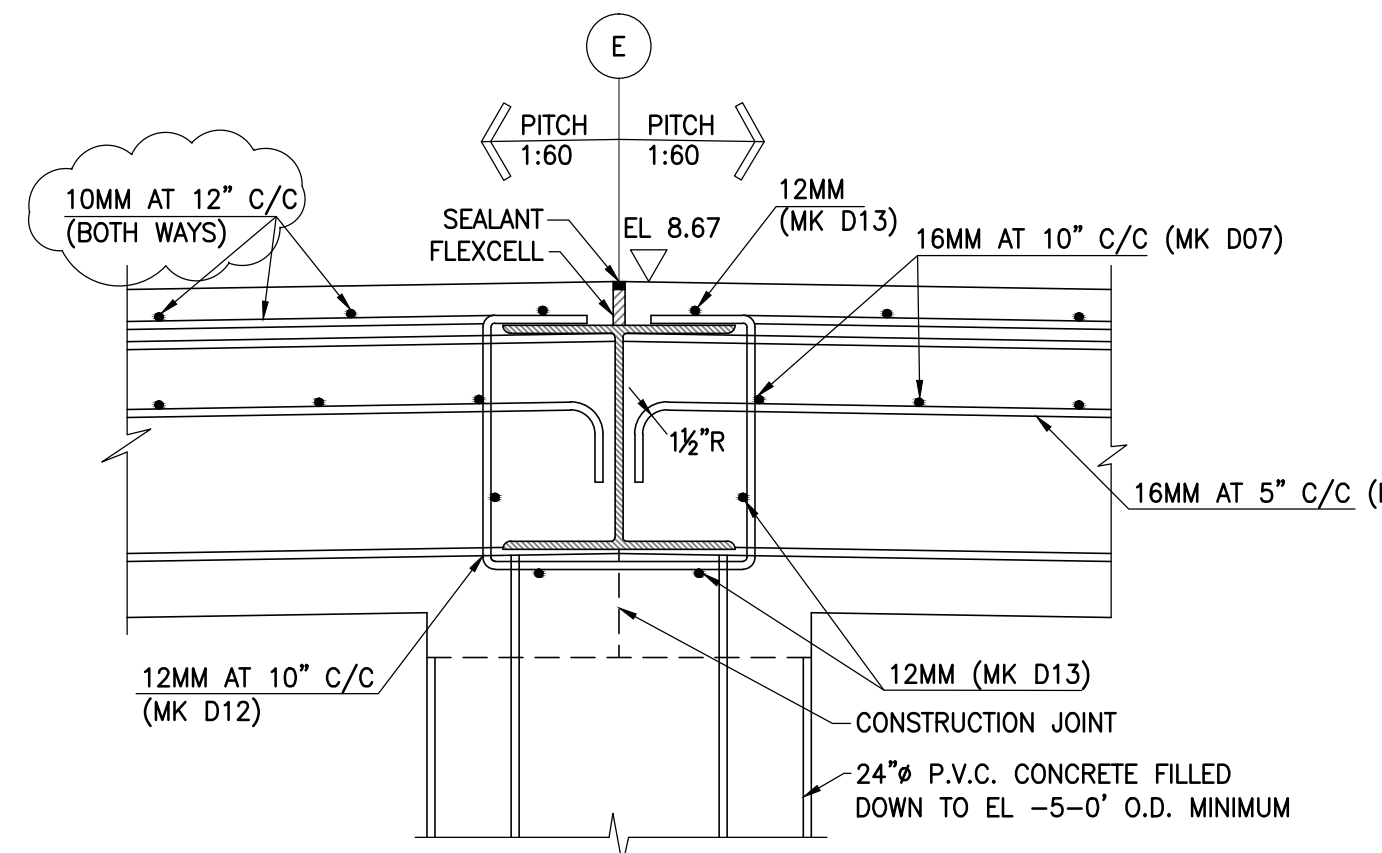
SECTION B-B



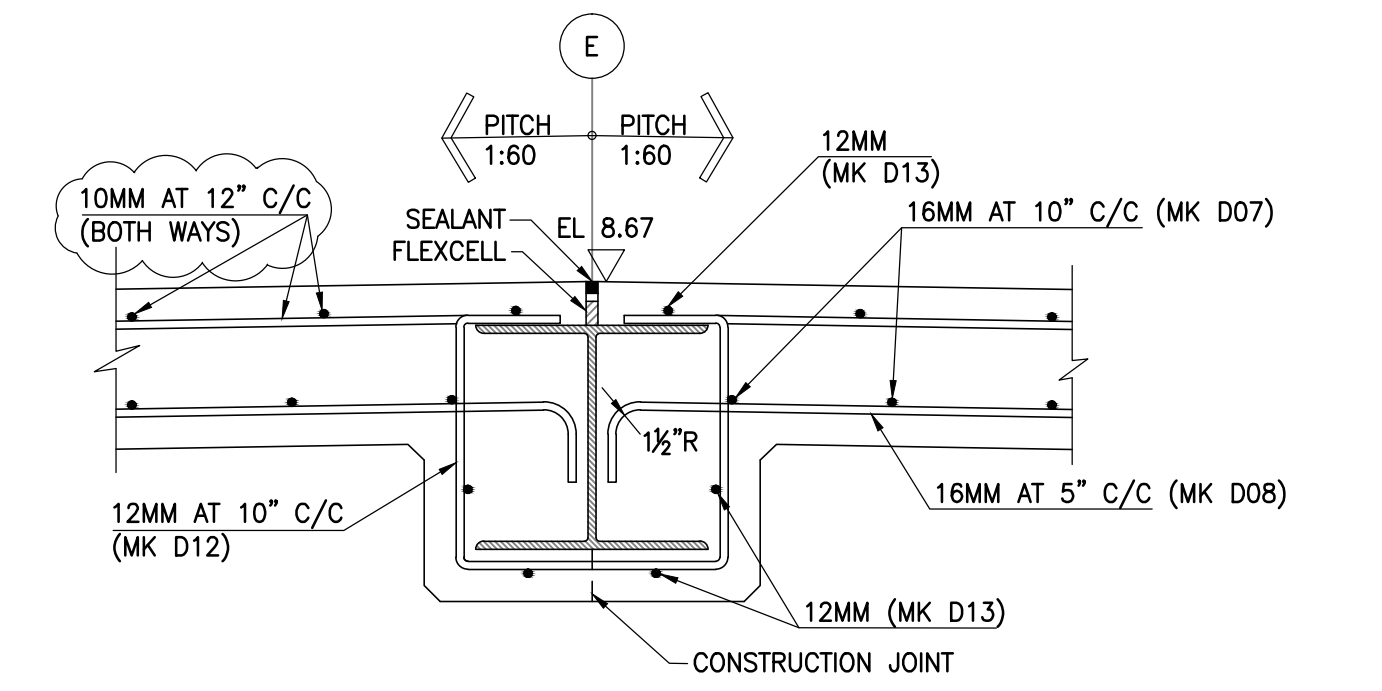
SECTION C-C



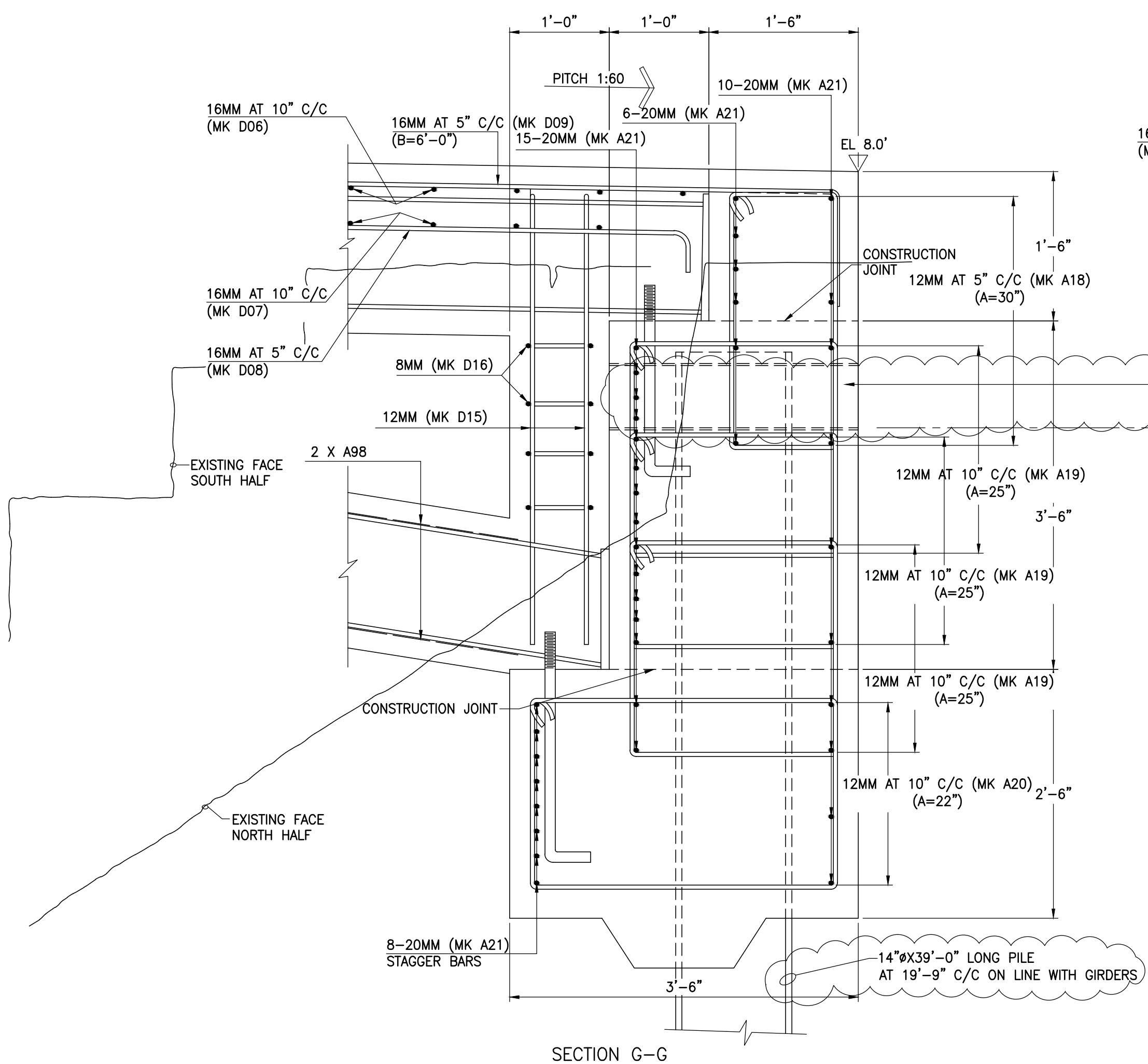
SECTION D-D



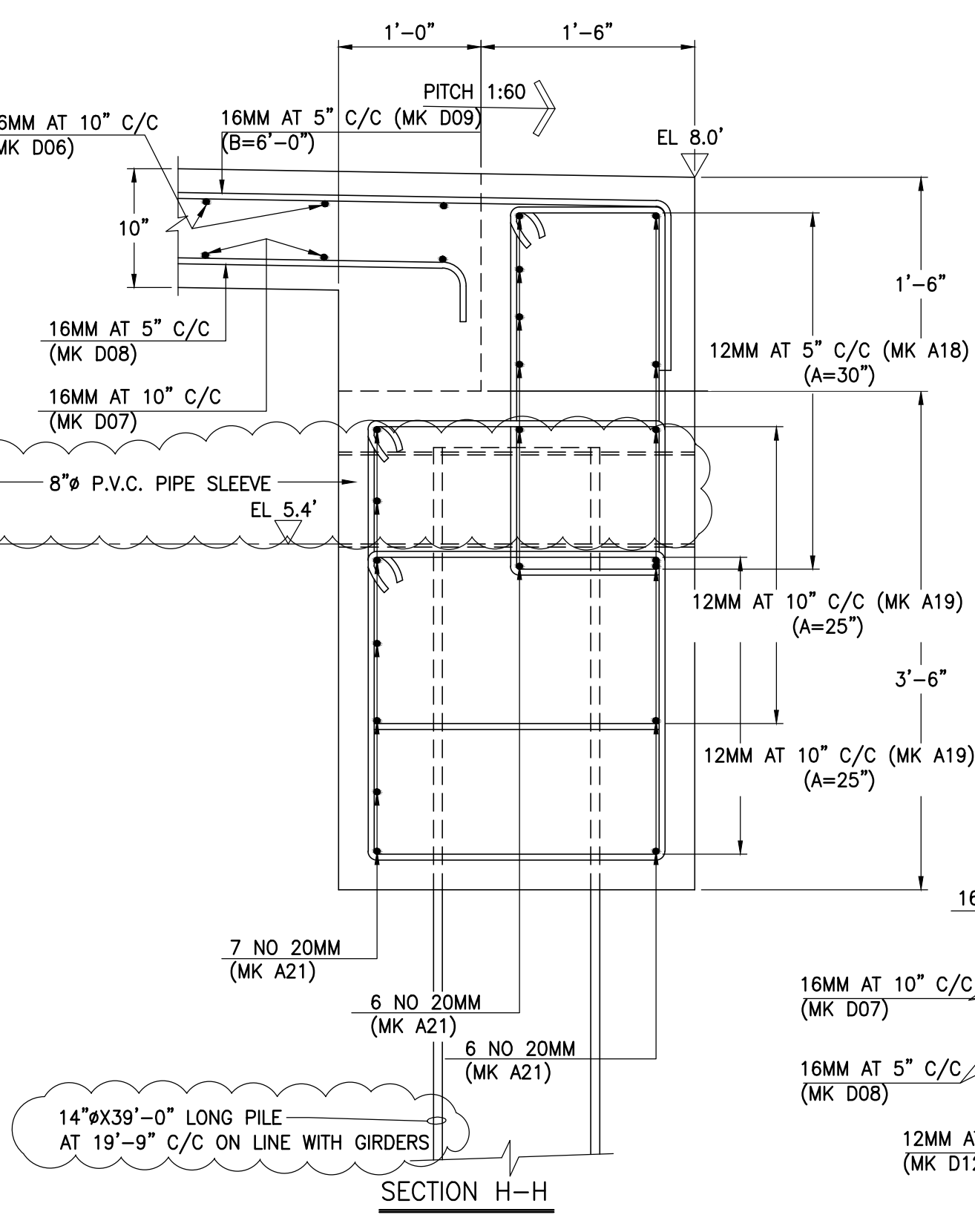
SECTION E-E



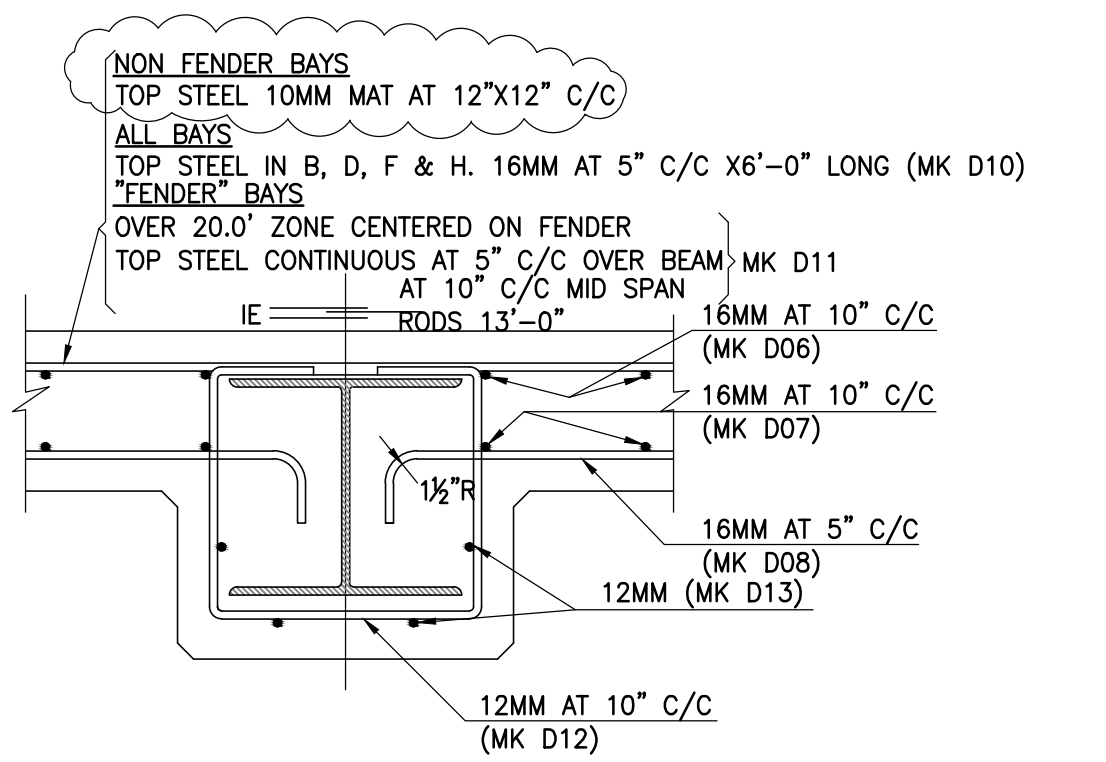
SECTION F-F



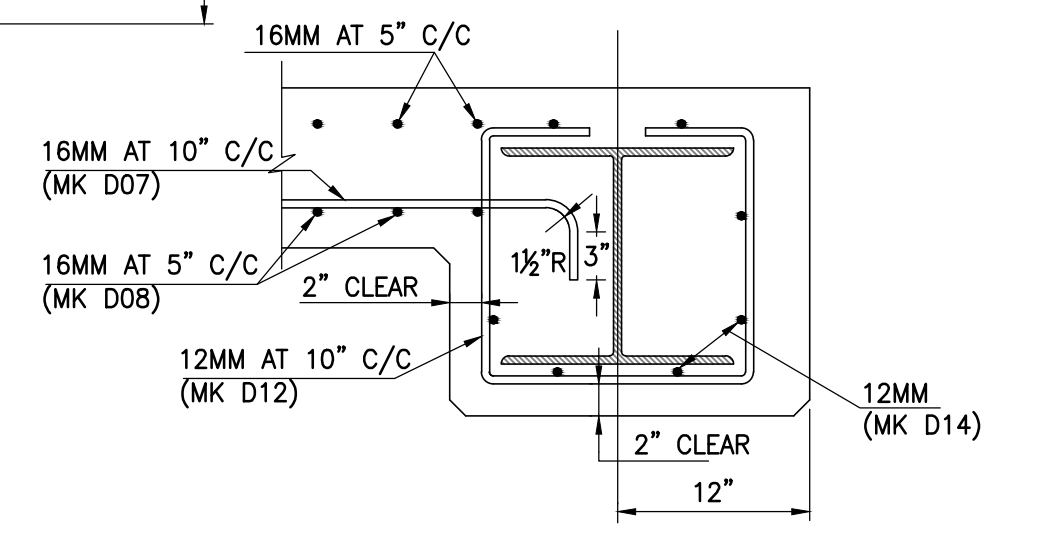
SECTION G-G



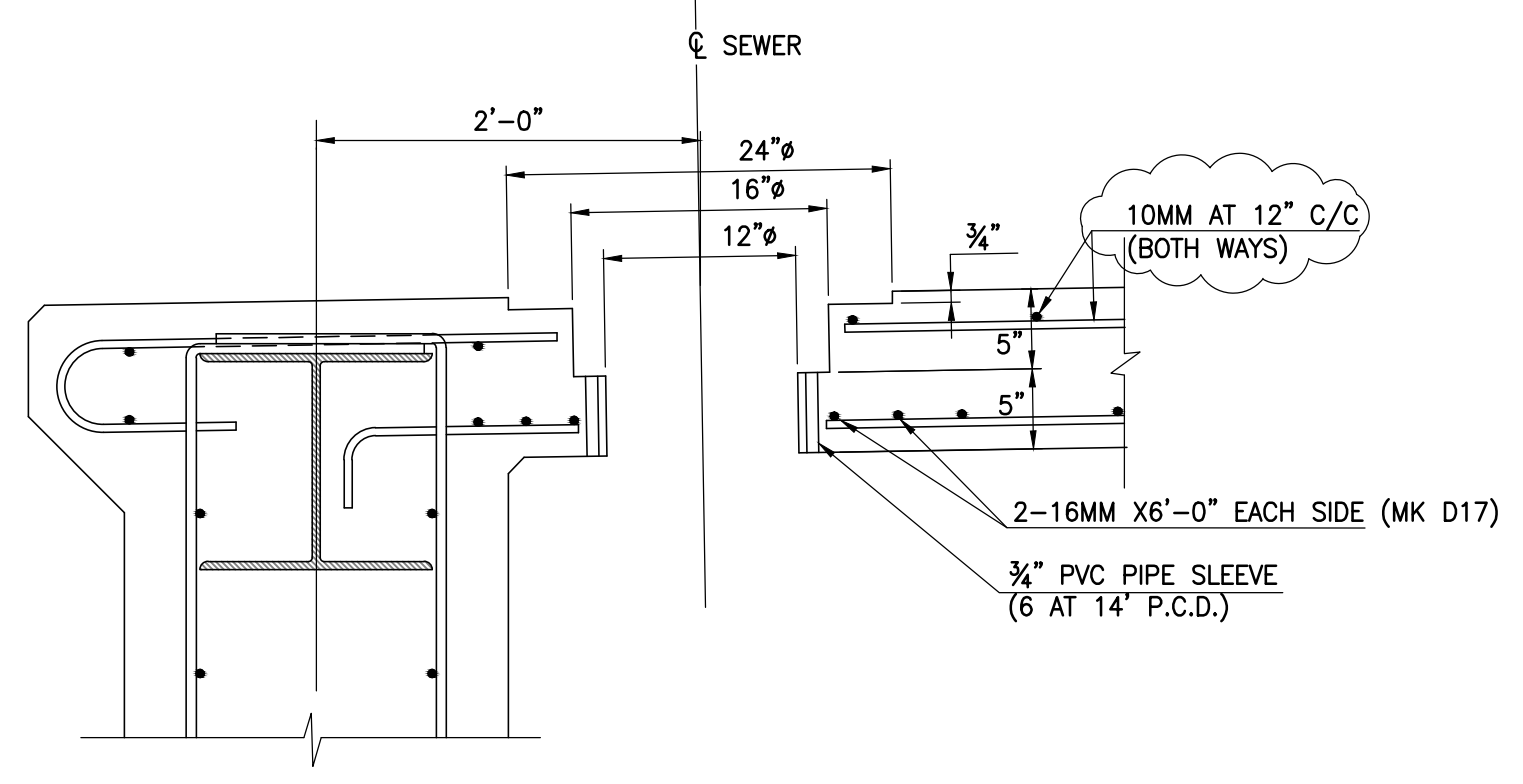
SECTION H-H



SECTION J-J



SECTION M-M



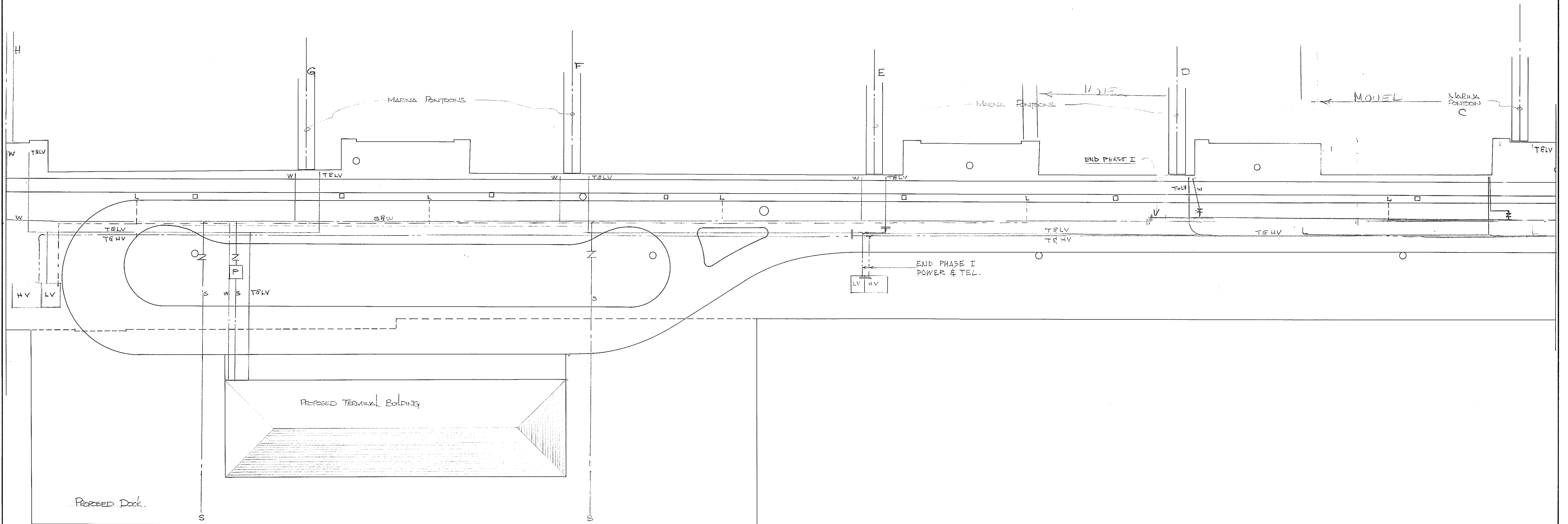
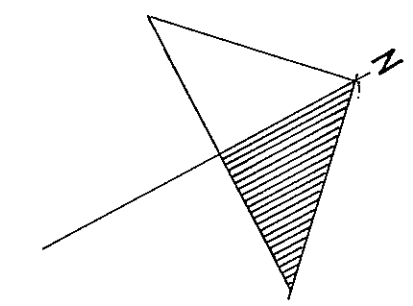
SECTION AT SEWER CONNECTION

INFORMATION ONLY

NOTE: BACKFILL BETWEEN THE ABUTMENT WALL & THE STONE BLOCK SEA WALL WITH CONCRETE TO ELEVATION 5.00'

- B 5-8-87 PIPE SLEEVES, MANHOLES, BACKFILL & ADDITIONAL TOP REINFORCEMENT ADDED TOGETHER WITH ASSOCIATED ALTERATIONS TO SLAB. PILES ADDED TO ABUTMENT WALL.
- A 24-4-87 SECTION M-M, CONST. JOINTS & ADDIT. DIMS ADDED

NO.	DATE	REVISION
WEST END DEVELOPMENT CORP. CRUISE SHIP PIER		
MAIN PIER CONCRETE DETAILS		
WOODBORNE ASSOCIATES LTD. <small>CONSULTING ENGINEERS, SURVEYORS, DESIGNERS & VALUERS</small> <small>P.O. BOX 934 HAMILTON 5, BERMUDA TEL: 809-29 2-7373 809-29 5-0319</small>		
DRAWN	R.J.A	SCALE 1"=1'-0"
CHECKED		JOB NO. 4755
DATE	March 87	DRAWING NO. 04



INFORMATION ONLY

NO.	DATE	REVISION
WEST END DEVELOPMENT CORPORATION NORTH BREAKWATER ARM		
PROPOSED ROAD & SIDEWALK ALIGNMENTS		
WOODBOURNE ASSOCIATES LTD. CONSULTING ENGINEERS, SURVEYORS, DESIGNERS & VALUERS P.O. BOX 934 HAMILTON 5, BERMUDA TEL: 809-29 2-7373 809-29 5-0319		
DRAWN	R.J.A.	SCALE 1" = 20'-0"
CHECKED		JOB NO. 4755
DATE	September 86	DRAWING NO. N.A.-2

REV POINTS MOVED MARKED