

AMENDMENTS:

NO	REVISION	BY	APP	DATE

SCALE: NTS

SURVEY
PREPARED BY: DATE:

DESIGN
PREPARED BY: DATE: 3/08/2017
KC
CHECKED BY: DATE:

DRAWING
PREPARED BY: DATE: 3/08/2017
KC
CHECKED BY: DATE:

APPROVED BY: DATE: 3/08/2017
KC

PROJECT NUMBER:

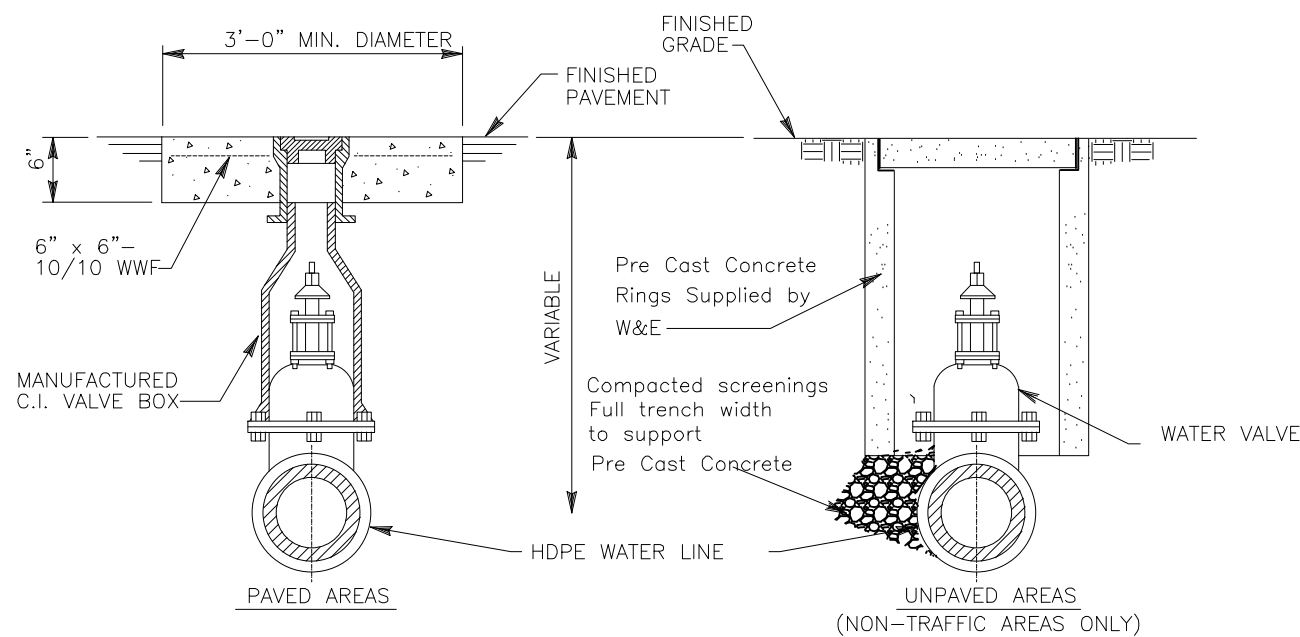
PROJECT NAME:

**WATER MAIN
IMPROVEMENTS
ST GEORGE'S**

SHEET TITLE:
PIPELINE-DETAILS

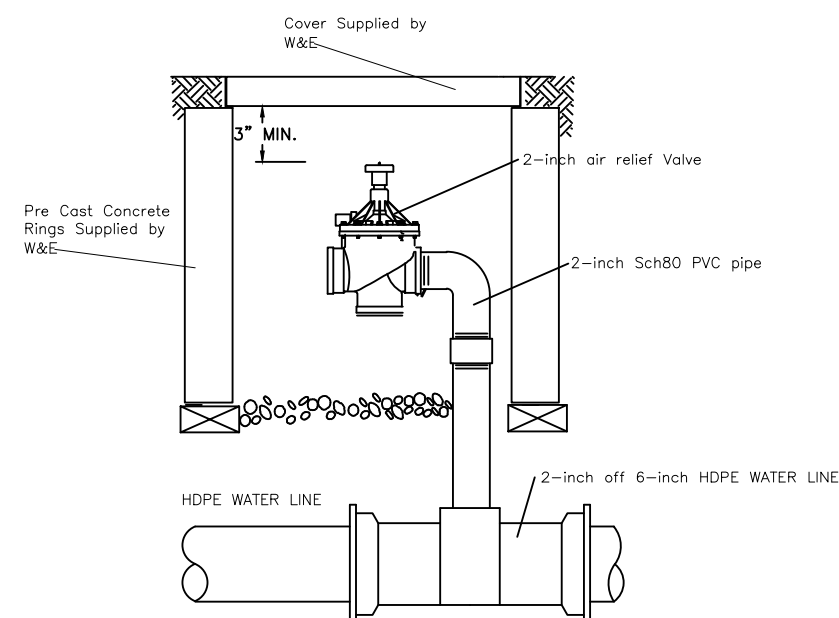
SHEET NUMBER:
SGI4

REVISION
1



TYPICAL VALVE BOX DETAILS
N.T.S.

VALVE BOX DETAILS
N.T.S.



AIR RELIEF VALVE BOX DETAILS
N.T.S.