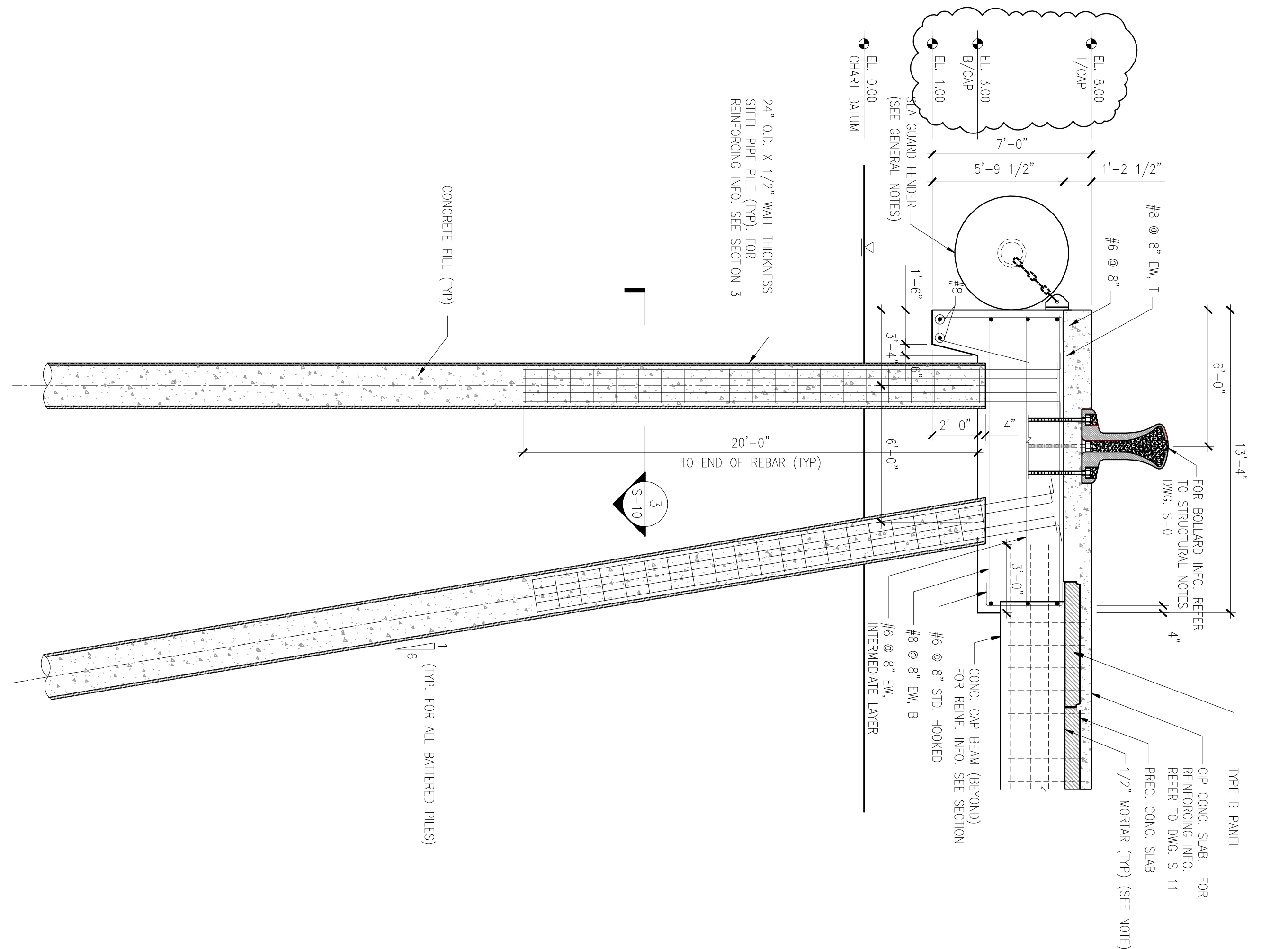
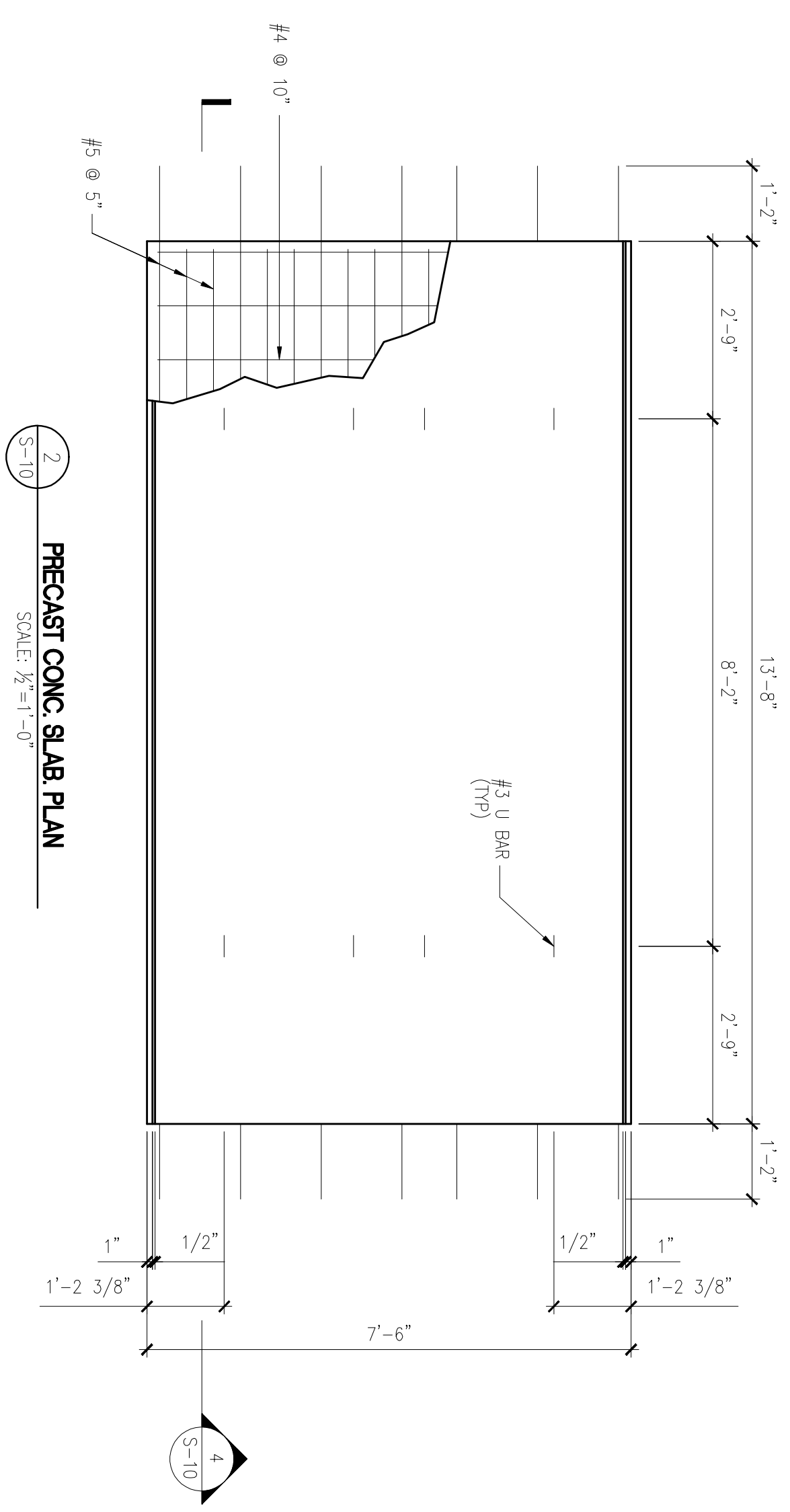


**GENERAL NOTES**  
1. REFER TO DWG. S-0 FOR GENERAL NOTES AND SPECIFICATIONS.

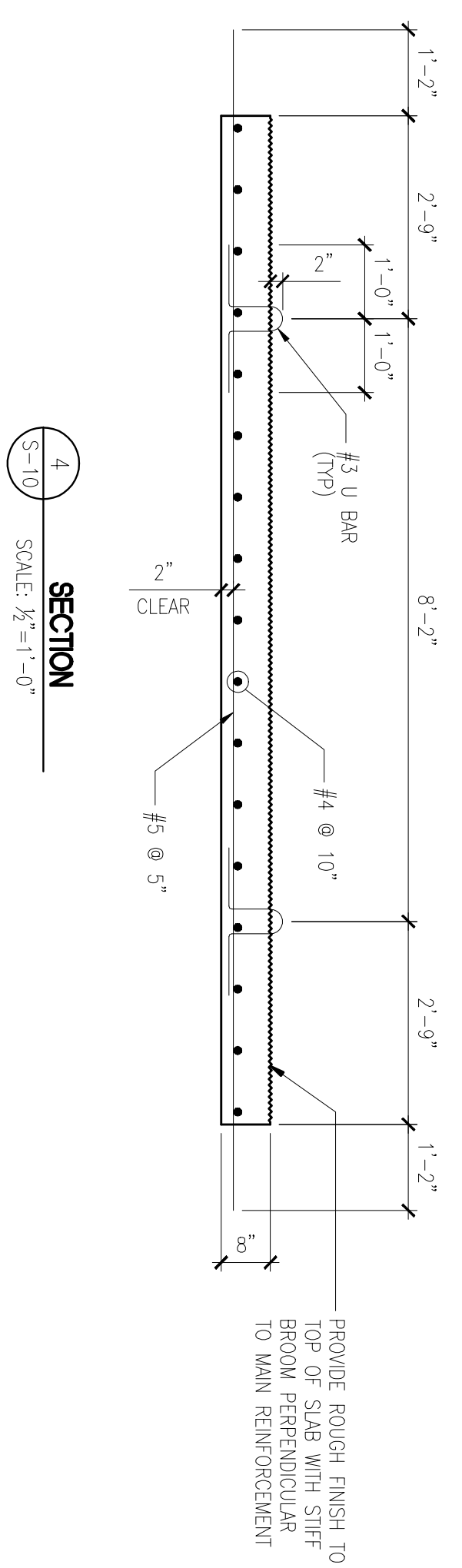
**AS BUILT**



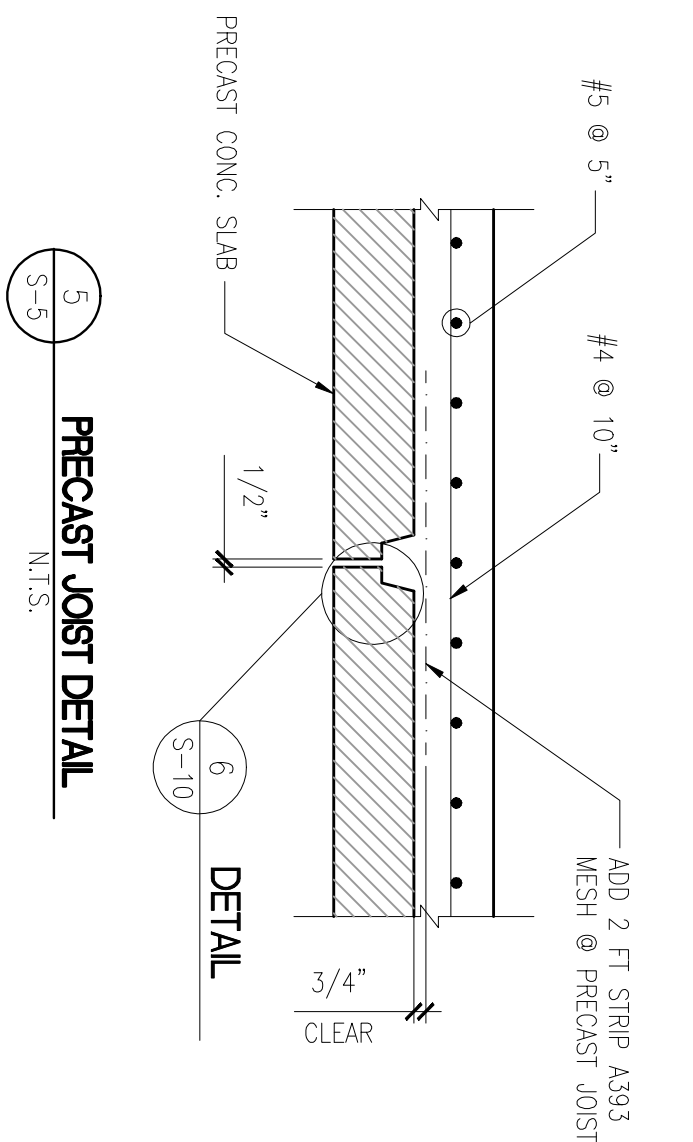
**1 DETAIL**  
S-5 N.T.S.



**2 PRECAST CONG. SLAB PLAN**  
S-10 SCALE: 1/2"=1'-0"

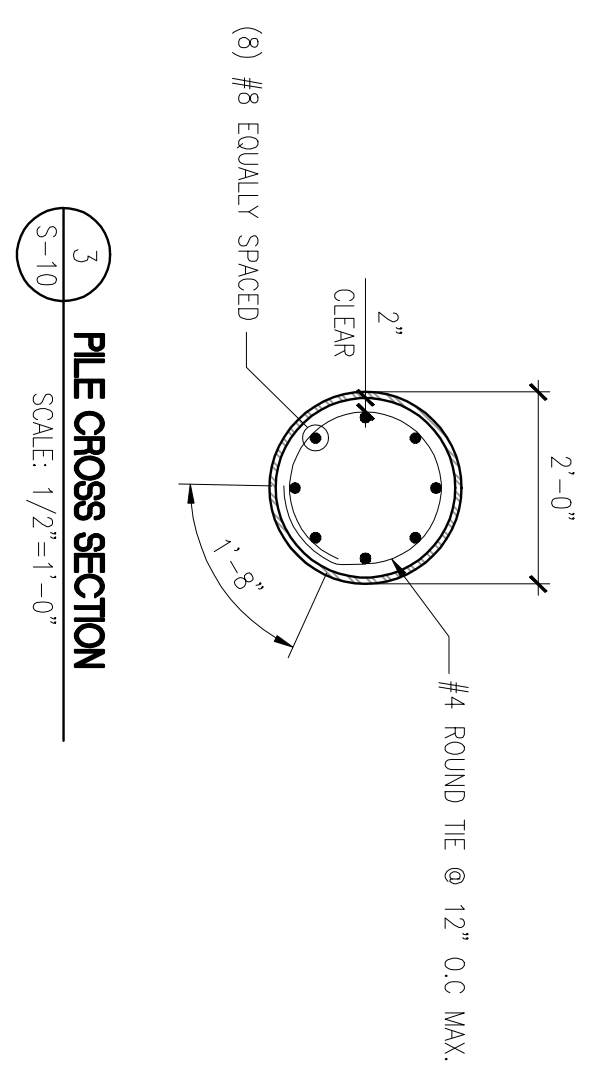


**4 SECTION**  
S-10 SCALE: 1/2"=1'-0"



**5 PRECAST JOIST DETAIL**  
S-5 N.T.S.

**6 DETAIL**  
S-10 N.T.S.



**3 PILE CROSS SECTION**  
S-10 SCALE: 1/2"=1'-0"

30.AUG.07	-	ADJUSTED ELEVATIONS
05.MAY.07	-	REVISED PRECAST DETAILS
01.MAY.07	-	ISSUED FOR BUILDING PERMIT
DATE	No.	REVISION

CONTRACTORS SHALL VERIFY ALL DIMENSIONS AND UTILITY LOCATIONS ON THE JOB SITE.			
designed by	DR	scale	AS SHOWN
drawn by	-	job no.	E07017
checked by	DR	drawing no.	-
approved by	-	date	March 07
<b>S-10</b>			

CLIENT  
**WEST END DEVELOPMENT CORPORATION**

PROJECT  
PROPOSED ROYAL NAVAL DOCKYARD CRUISE IMPROV. DOCKYARD, BERMUDDA

TITLE  
**PIER SECTIONS & DETAILS**

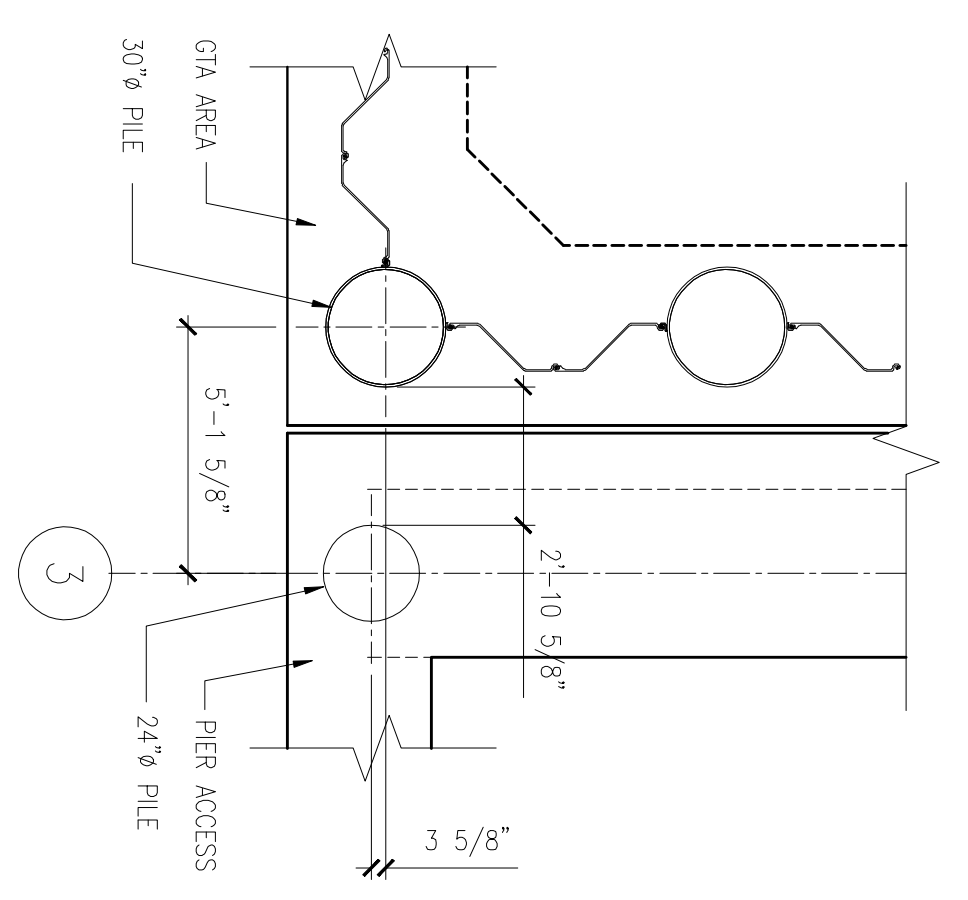
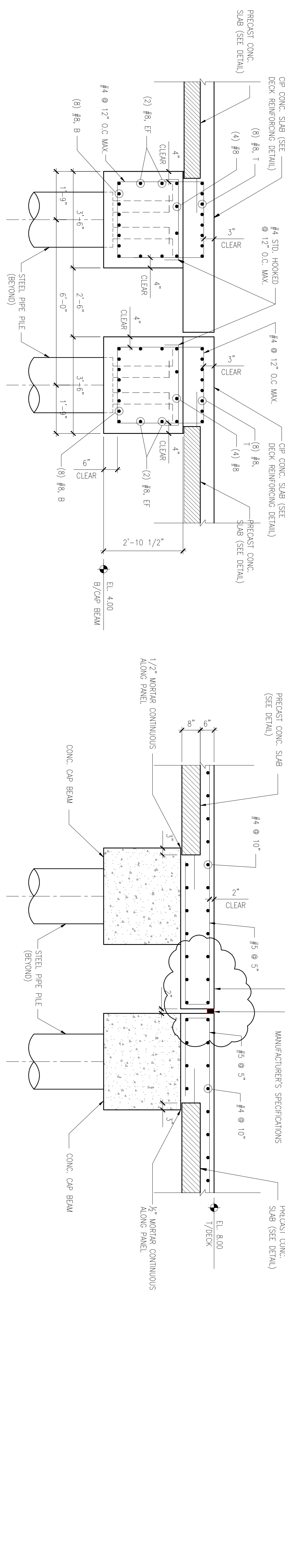
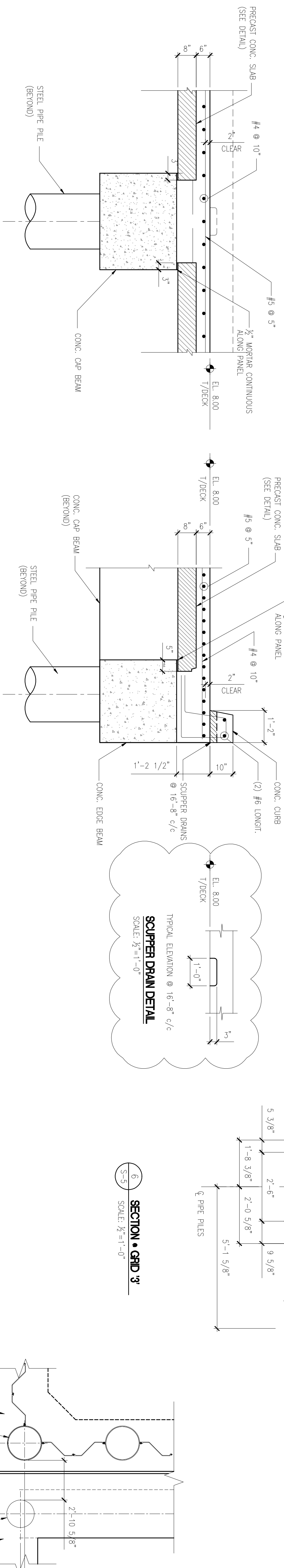
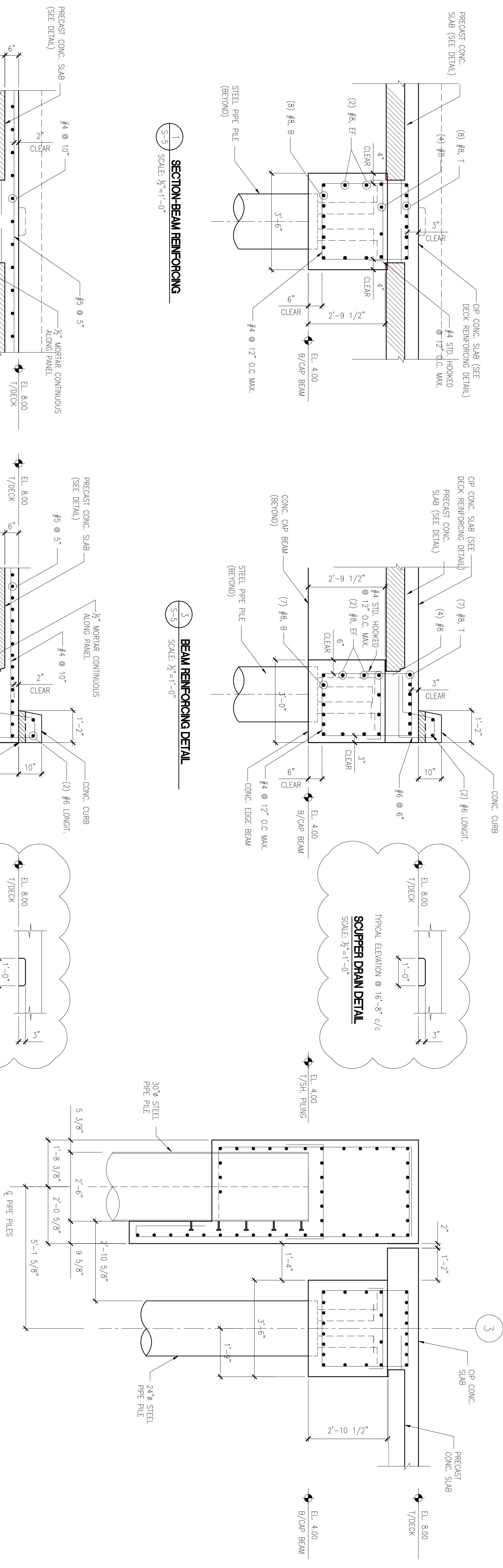
**EnTech** LIMITED  
ENGINEERING / PLANNING CONSULTANTS

P.O. BOX HM 2574 HAMILTON HMKK BERMUDDA

TEL: (441) 282-9182 FAX: (441) 282-9488 EMAIL: admin@entech.com

**GENERAL NOTES**  
1. REFER TO DWG. S-0 FOR GENERAL NOTES AND SPECIFICATIONS.

AS BUILT



\* SLAB THICKENING MAY BE REQUIRED ON EITHER SIDE FOR FLEXIBLE FITTINGS

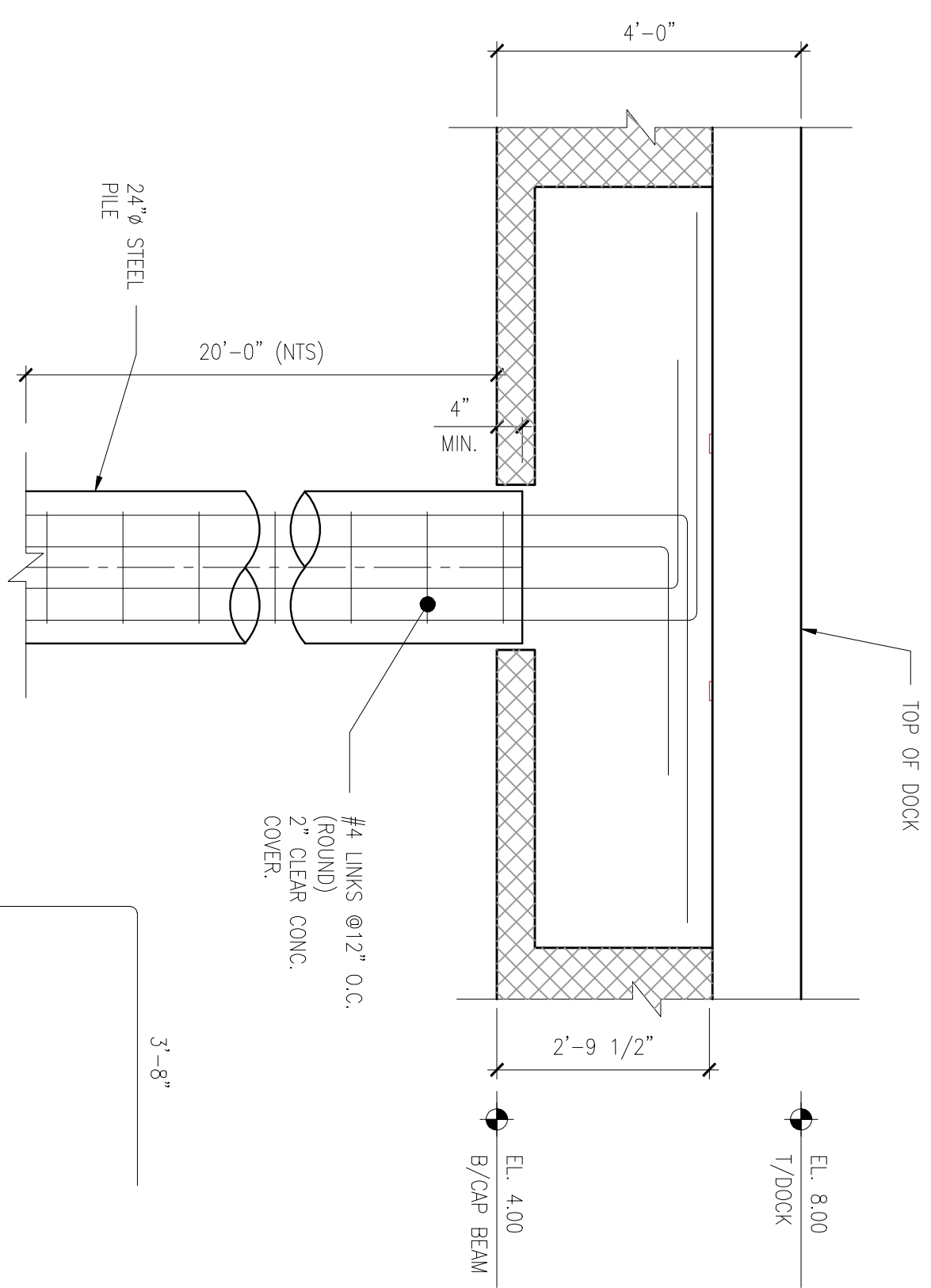
\* ELASTOMERIC SEAL INSTALLED AS PER MANUFACTURER'S SPECIFICATIONS

CLIENT	WEST END DEVELOPMENT CORPORATION
PROJECT	PROPOSED ROYAL NAVAL DOCKYARD CRUISE IMPROV. DOCKYARD, BERMUDA
TITLE	PIER SECTIONS & DETAILS
designed by	DR scale AS SHOWN
drawn by	- job no. E07017
checked by	DR. drawing no. -
approved by	-
date	March 07
<b>S-11</b>	
CONTRACTORS SHALL VERIFY ALL DIMENSIONS AND UTILITY LOCATIONS ON THE JOB SITE.	
DATE	NO. REVISION
06.OCT.08	7 REVISED SCUPPER DRAIN CRS.
01.OCT.08	6 SCUPPER DRAIN DETAIL
04.DEC.07	- REVISED DETAIL @ GRID 20' / 21'
30.AUG.07	- ADJUSTED ELEVATIONS
22.AUG.07	- SECTION & DETAIL @ GRID 3'
05.MAY.07	- REVISED PRECAST DETAILS
01.MAY.07	- ISSUED FOR BUILDING PERMIT

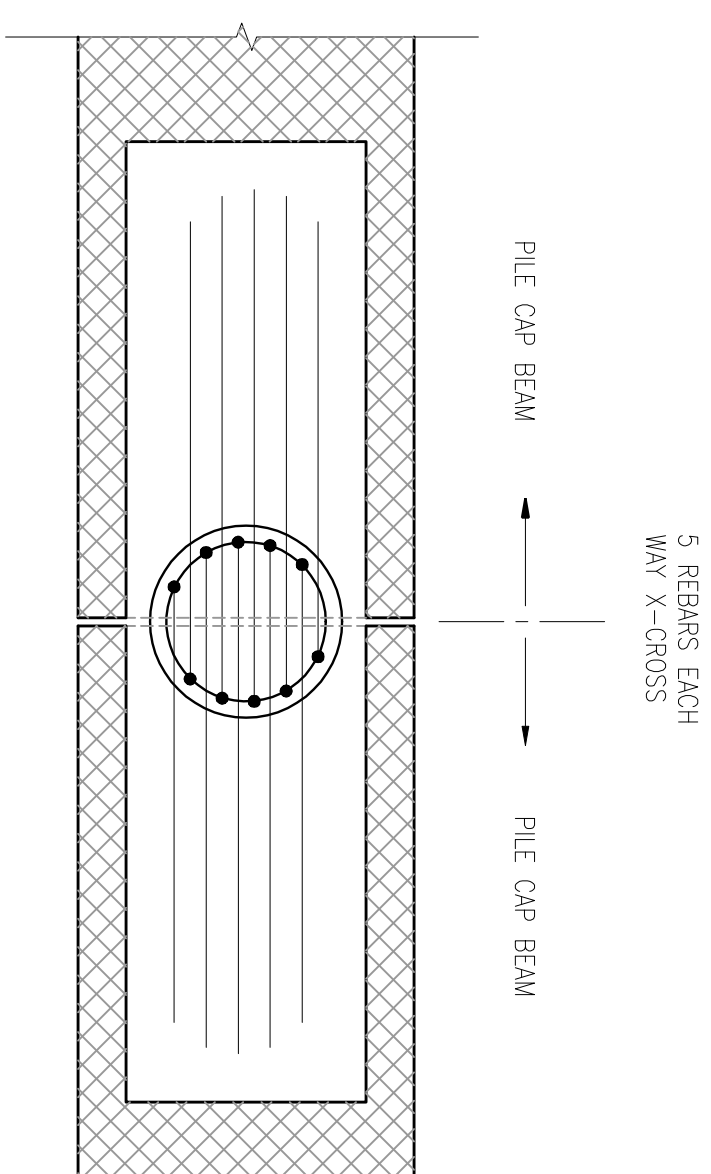
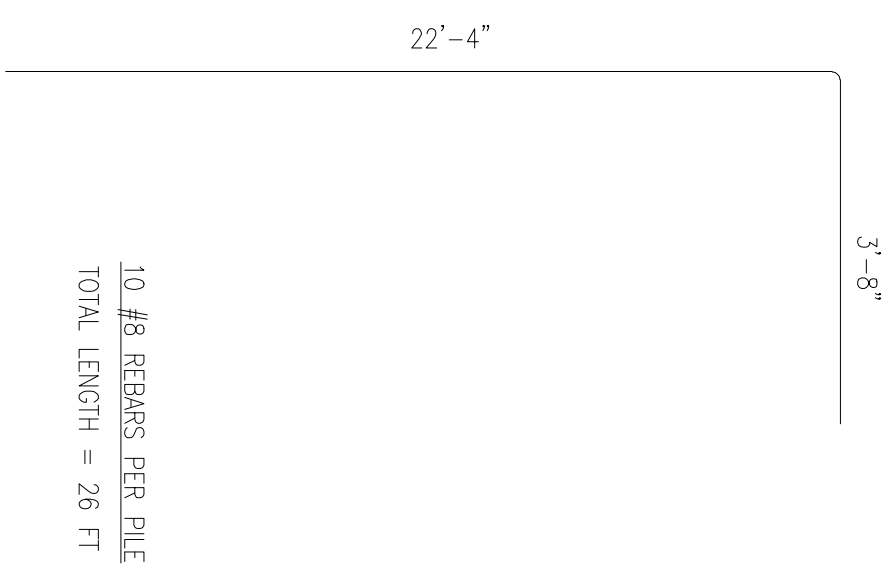


**GENERAL NOTES**  
 1. REFER TO DWG. S-0 FOR GENERAL NOTES AND SPECIFICATIONS.

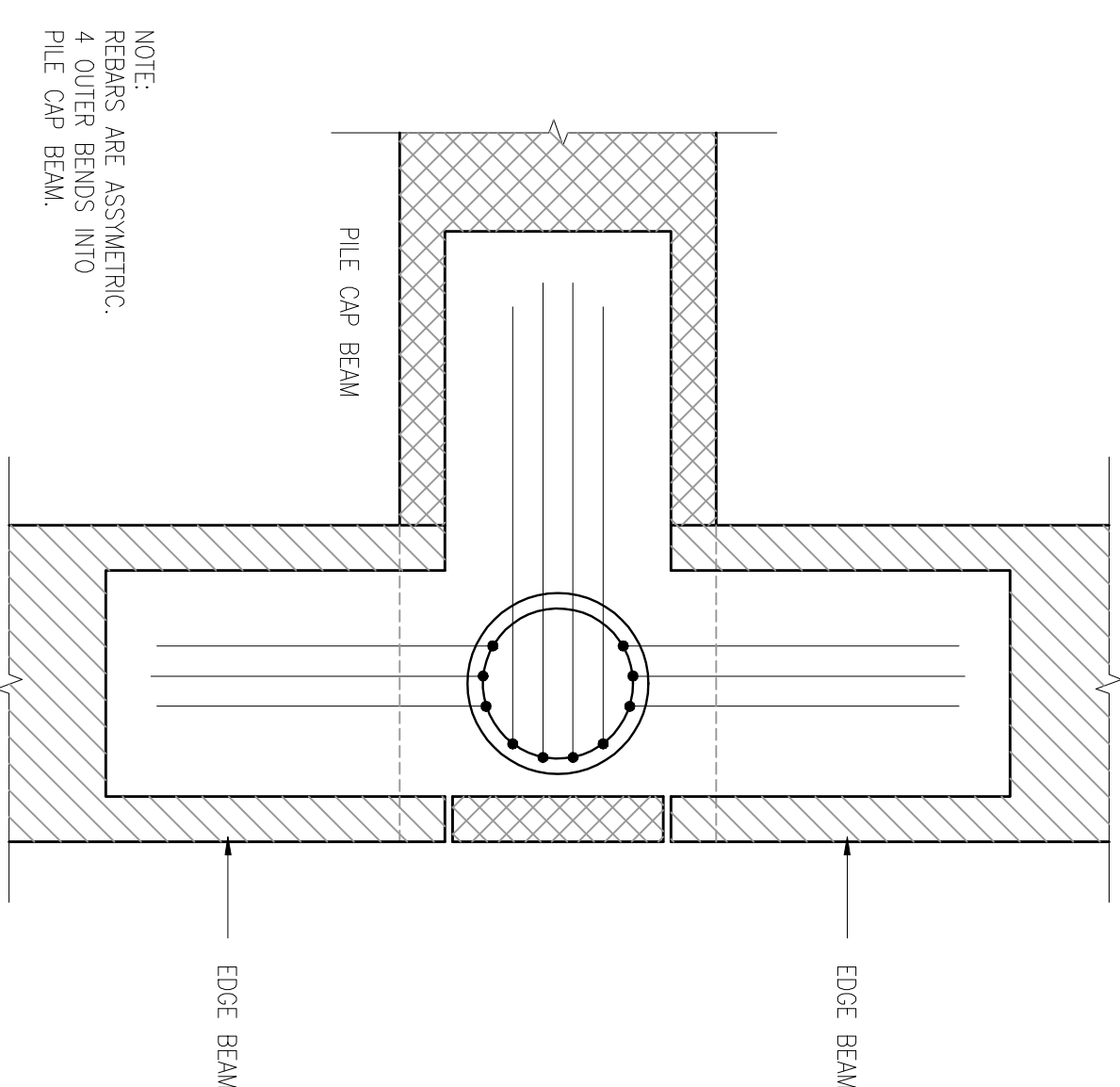
**AS BUILT**



**1 DETAIL -** BRG BENDING FOR PILES UNDER MAIN CAP BEAM  
 S-16 SCALE: 3/4"=1'-0"

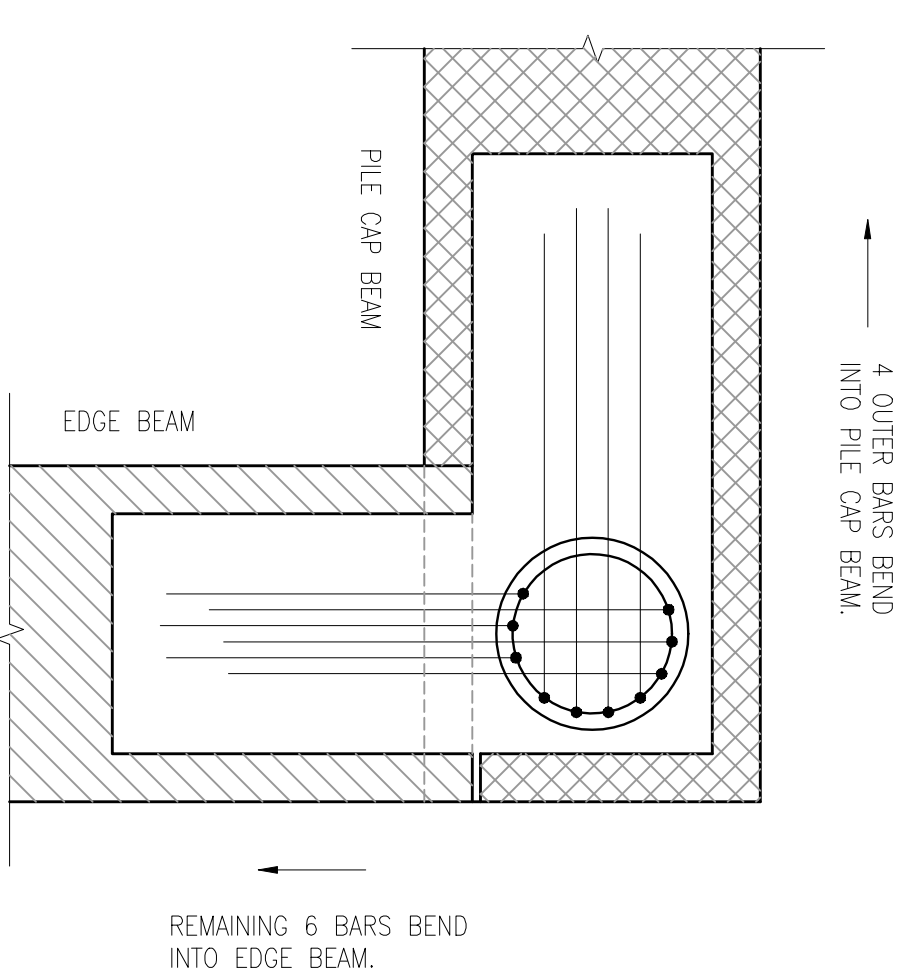


**TYPE A**  
 PLAN OVER PILE CAP BEAMS AT INTERNAL PILES SHOWING PILE REINFORCEMENT



NOTE:  
 REBARS ARE ASYMMETRIC.  
 4 OUTER BARS BEND INTO PILE CAP BEAM.

**TYPE B**  
 PILE REBARS AT TEE JUNCTION



REMAINING 6 BARS BEND INTO EDGE BEAM.

**TYPE C**  
 PILE REBARS AT CORNER

**2 PLANS OVER PILE CAP BEAMS**  
 S-16 SCALE: 3/4"=1'-0"  
 TYPE A  
 TYPE B  
 TYPE C

TITLE  
 SECTIONS  
 & DETAILS

PROJECT  
 PROPOSED ROYAL NAVAL DOCKYARD CRUISE IMPROV. DOCKYARD, BERMUDA

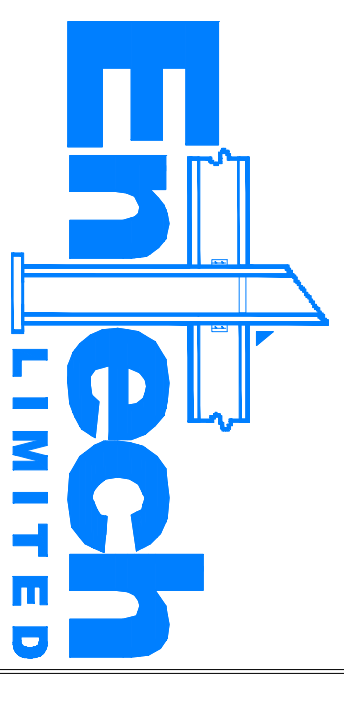
CLIENT  
 WEST END DEVELOPMENT CORPORATION

designed by	DR	scale	AS SHOWN
drawn by	ep	job no.	E07017
checked by	DR	drawing no.	
approved by	-		
date	JUL 07		

**S-16**

CONTRACTORS SHALL VERIFY ALL DIMENSIONS AND UTILITY LOCATIONS ON THE JOB SITE.

DATE	NO.	REVISION
01.AUG.07	-	ISSUED FOR INFO



ENGINEERING / PLANNING CONSULTANTS  
 P.O. BOX HM 2574  
 HAMILTON HMXX  
 BERMUDA  
 TEL. (441) 282-9182  
 FAX. (441) 282-9488  
 EMAIL: admin@entechhm.com