

UNISTRUT®

A PART OF **atkore**
INTERNATIONAL



[Atkore Website](#) | [Join E-Notice](#)

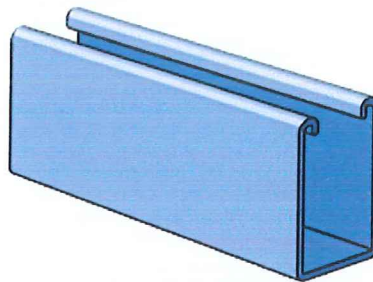


[Download Submittal \(PDF\)](#)

[Add to cart](#)

[View Cart](#)

- [p5500](#) - P5500 - 1-5/8" x 2 7/16", 12 Gage, Solid



[Channel Selection Chart](#)

[Related Channel Nuts](#)

[Additional Specifications](#)

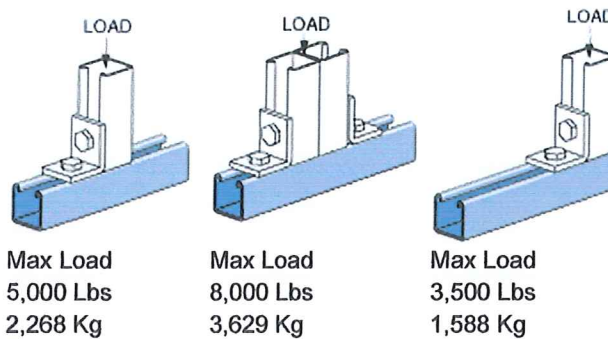
Part No.	Finish	Length	Weight
P5500	GR	20	247.00
P5500	GR	10	247.00
P5500	PG	20	247.00
P5500	PG	10	247.00
P5500	HG	10	261.80
P5500	HG	20	261.80
P5500	ZD	10	247.00
P5500	ZD	20	247.00
P5500	PL	10	247.00
P5500	PL	20	247.00
P5500	EA	20	97.00
P5500	EA	10	97.00

192	410	2.46	180	130	90	0.30
216	360	3.07	140	110	70	0.28
240	330	3.86	110	90	60	0.26

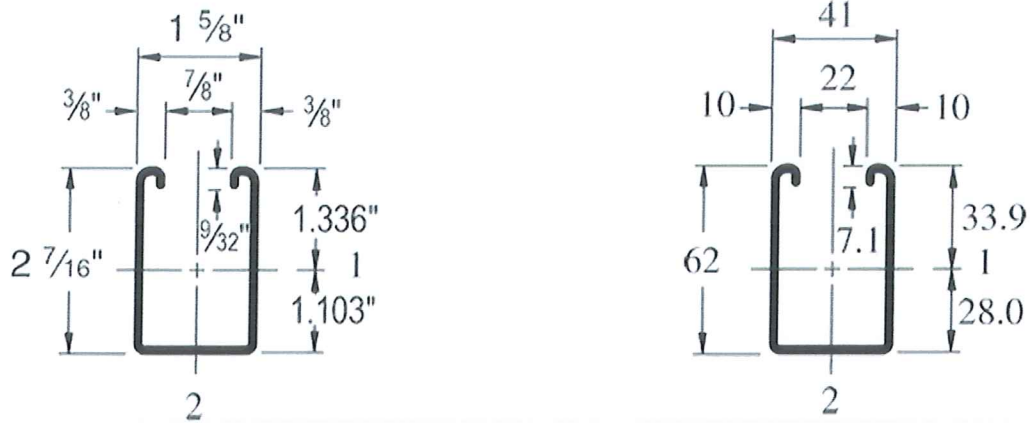
Notes:

- Above loads include the weight of the member.
This weight must be deducted to arrive at the net allowable load the beam will support.
- Long span beams should be supported so as to prevent rotation and twist.
- Allowable uniformly distributed loads are listed for various simple spans, that is, a beam on two supports. If load is concentrated at the center of the span, multiply load from the table by 0.5 and corresponding deflection by 0.8.
- The lateral bracing factor should be multiplied by the load to determine the load retained based on the distance between lateral braces.

Bearing Load on Channel:



©2017 Alkore International, Inc. All Rights Reserved. [Privacy Policy](#) | [New Product Portal](#) | [Rep Central](#)



Elements of Section - P5500

Area of Section	0.726 in ² (4.7 cm ²)	
	Axis 1-1	Axis 2-2
Moment of Inertia (I)	0.522 in ⁴ (21.7 cm ⁴)	0.334 in ⁴ (13.9 cm ⁴)
Section Modulus (S)	0.390 in ³ (6.4 cm ³)	0.411 in ³ (6.7 cm ³)
Radius of Gyration (r)	0.848 in (2.2 cm)	0.679 in (1.7 cm)

Column Loading - P5500

Unbraced Height (in)	Allowable Load at Slot Face (lbs)	Max Column Load Applied at C.G.			
		K=0.65 (lbs)	K=0.80 (lbs)	K=1.0 (lbs)	K=1.2 (lbs)
24	4,640	13,840	12,570	10,840	9,190
36	3,970	11,050	9,190	7,030	5,370
48	3,180	8,420	6,390	4,620	3,630
60	2,550	6,250	4,620	3,450	2,780
72	2,120	4,790	3,630	2,780	2,260
84	1,810	3,890	3,010	2,330	1,910
96	1,580	3,290	2,580	2,020	1,650
108	1,400	2,860	2,260	1,770	1,440
120	1,270	2,530	2,020	1,580	*
144	1,060	2,070	1,650	*	*
168	920	1,750	1,380	*	*

*KL/r > 200

Beam Loading - P5500

Span (in)	Max Allow. Uniform Load (lbs)	Defl at Uniform load (in)	Uniform Loading at Deflection			Lateral Bracing Reduct. Factor
			Span /180 (lbs)	Span /240 (lbs)	Span /360 (lbs)	
24	3,270	0.04	3,270	3,270	3,270	0.99
36	2,180	0.09	2,180	2,180	2,180	0.89
48	1,640	0.15	1,640	1,640	1,420	0.77
60	1,310	0.24	1,310	1,310	910	0.67
72	1,090	0.34	1,090	950	630	0.58
84	940	0.47	930	700	470	0.51
96	820	0.61	710	530	360	0.46
108	730	0.78	560	420	280	0.42
120	650	0.95	460	340	230	0.40
144	550	1.39	320	240	160	0.36
168	470	1.89	230	170	120	0.32